



(12) **United States Design Patent**  
**Olive et al.**

(10) **Patent No.:** **US D1,050,263 S**  
(45) **Date of Patent:** **\*\* Nov. 5, 2024**

- (54) **GAMING MACHINE TOPPER**
- (71) Applicant: **Aristocrat Technologies Australia PTY Limited**, North Ryde (AU)
- (72) Inventors: **Scott Olive**, Brookvale (AU); **John Curtis**, Gold Coast (AU); **Thomas Frawley**, Gold Coast (AU)
- (73) Assignee: **Aristocrat Technologies Australia Pty Limited**, North Ryde (AU)
- (\*\*) Term: **15 Years**
- (21) Appl. No.: **29/739,975**
- (22) Filed: **Jun. 30, 2020**

D450,096 S 11/2001 Legras  
 D510,959 S 10/2005 Morrison  
 D519,574 S 4/2006 Myers  
 (Continued)

**OTHER PUBLICATIONS**

Australian Design Examination Report No. 1 for Application No. 201812639, dated Aug. 28, 2018, 2 pages.  
 (Continued)

*Primary Examiner* — Joseph Kukella  
 (74) *Attorney, Agent, or Firm* — Armstrong Teasdale LLP

(57) **CLAIM**

The ornamental design for a gaming machine topper as shown and described.

**DESCRIPTION**

FIG. 1 is a perspective view of an exemplary bank of gaming machines including an exemplary gaming machine topper in accordance with the new design.  
 FIG. 2 is a front side view thereof.  
 FIG. 3 is a rear view thereof.  
 FIG. 4 is a left view thereof.  
 FIG. 5 is a right view thereof.  
 FIG. 6 is a top view thereof.  
 FIG. 7 is a bottom view thereof.  
 FIG. 8 is a perspective view of an alternative bank of gaming machines including an exemplary gaming machine topper in accordance with the new design.  
 FIG. 9 is a front side view thereof.  
 FIG. 10 is a rear view thereof.  
 FIG. 11 is a left view thereof.  
 FIG. 12 is a right view thereof.  
 FIG. 13 is a top view thereof; and,  
 FIG. 14 is bottom view thereof.  
 The ornamental design which is claimed is shown in solid lines in the drawings. The broken lines in the drawings depict environmental subject matter that forms no part of the claimed design.

**Related U.S. Application Data**

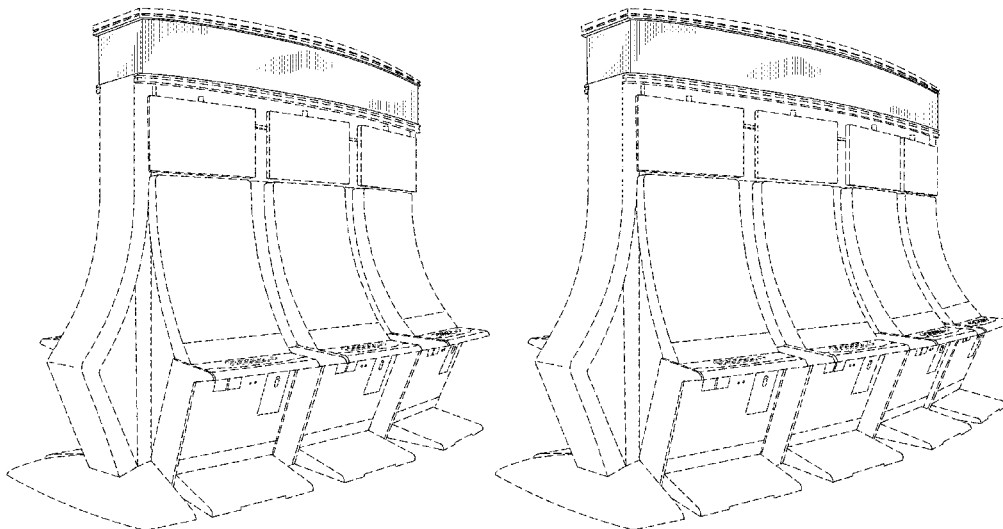
- (62) Division of application No. 29/613,149, filed on Aug. 8, 2017, now Pat. No. Des. 907,129.
- (51) **LOC (14) Cl.** ..... **21-01**
- (52) **U.S. Cl.** ..... **D21/385**
- (58) **Field of Classification Search**  
 USPC ..... D6/672, 675, 681; D14/125, 126, 127, D14/128, 129, 133, 217, 239, 496; D21/324, 325, 329, 330, 331, 332, 333, D21/385; D26/118, 119, 120, 121, 122  
 CPC .... G06F 1/1601; G06F 1/1603; G06F 1/1605; G06F 1/1647; G06F 1/1652  
 See application file for complete search history.

**References Cited**

**U.S. PATENT DOCUMENTS**

- D355,676 S 2/1995 Wilson
- D392,689 S 3/1998 Muraki
- D396,888 S 8/1998 Hayashi
- D396,898 S 8/1998 Tsuda
- D413,936 S 9/1999 Uehara

**1 Claim, 14 Drawing Sheets**



(56)

References Cited

U.S. PATENT DOCUMENTS

D596,678	S	7/2009	Myers	
D617,388	S	6/2010	Wildner	
D617,389	S	6/2010	Wildner	
D646,336	S	10/2011	Kelly	
D695,706	S	12/2013	Garneau	
D706,741	S	6/2014	Myers	
D719,617	S	12/2014	Inoue	
D733,088	S	6/2015	Garneau	
D762,613	S	8/2016	Garneau	
D787,605	S	5/2017	Bushnell	
D792,520	S	7/2017	Hohman	
D835,196	S	12/2018	Zelinka	
D880,604	S	4/2020	Olive	
D899,525	S	* 10/2020	Egar	D21/369
D907,127	S	* 1/2021	Olive	D21/385
D919,708	S	* 5/2021	Bussey	D21/369
D937,355	S	* 11/2021	Olive	D21/369
D954,829	S	* 6/2022	Olive	D21/324
D954,830	S	* 6/2022	Bussey	D21/325
D958,888	S	* 7/2022	DeMarco	D21/325
D964,470	S	* 9/2022	Chambers	D21/385
D967,898	S	* 10/2022	Olive	D21/324
D976,324	S	* 1/2023	Bussey	D21/324
D976,331	S	* 1/2023	Visser	D21/369
D985,673	S	* 5/2023	Eatman	D20/10
D1,002,729	S	* 10/2023	Olive	D21/324
D1,003,356	S	* 10/2023	DeMarco	D21/325

OTHER PUBLICATIONS

Google: Gaming machine' which was published on the website <http://spinning2win.blogspot.com/2016/09/> on Sep. 20, 2016. 1 page.

Twitter: Aristocrat slots' which was published on the website [https://twitter.com/aristocratslots/status/852587967164039169/photo/1?ref\\_src=twsrc%5Etfw%7Ctwcamp%5Etweetembed%7Ctwterm%5E852587967164039169&ref\\_url=http%3A%2F%2Fwww.freearistocratpokies.co](https://twitter.com/aristocratslots/status/852587967164039169/photo/1?ref_src=twsrc%5Etfw%7Ctwcamp%5Etweetembed%7Ctwterm%5E852587967164039169&ref_url=http%3A%2F%2Fwww.freearistocratpokies.co) m%2Fdra . . . on Apr. 13, 2017. 2 pages.

Twitter: Aristocrat gaming cabinet <https://twitter.com/search?f=images&q=Aristocrat%20gaming%20cabinets%20&src=typd> Jul. 6, 2017. 2 pages.

Twitter: Aristocrat Gaming' which was published on the website <https://twitter.com/aristocratslots> on Apr. 12, 2017.

YouTube: Dragon Link' which was published on the website [https://www.youtube.com/watch?v=Hdn\\_I5w3a0Y](https://www.youtube.com/watch?v=Hdn_I5w3a0Y) on Apr. 5, 2017. 2 pages.

Google: Dragon Link' which was published on the website <http://www.gamesbras.com/english-version/2017/3/30/aristocrats-slots-named-most-innovative-products-1711.html> on Mar. 30, 2017. 2 pages.

Australian Design Examination Report No. 1 for Application No. 201812640, dated Aug. 28, 2018, 2 pages.

Australian Design Examination Report No. 1 for Application No. 201812634, dated Aug. 28, 2018, 2 pages.

Google search—Fast Cash poker machines' which was published on the website <http://www.freearistocratpokies.com/dragon-link-fast-cash-pokies-named-casino-journals-top-20-innovative-gaming-technology-products-awards-2016/> on Apr. 28, 2017. 2 pages.

Google search—Aristocrat gaming' which was published on the website <http://www.gamesbras.com/english-version/2017/3/30/aristocrats-slots-named-most-innovative-products-1711.html> on Mar. 30, 2017. 1 page.

Australian Design Examination Report No. 1 for Application No. 201812637, dated Aug. 28, 2018, 6 pages.

Twitter search—Aristocrat gaming' which was published on the website <https://twitter.com/aristocratslots/status/852244558603624448> on Apr. 12, 2017. 1 page.

Twitter search—Aristocrat gaming' which was published on the website <https://twitter.com/MeskwakiCasino/status/817127325422718980> on Jan. 5, 2017. 1 page.

Notice of Allowance dated May 28, 2020 for U.S. Appl. No. 29/639,694 (pp. 1-8).

Office Action dated Jun. 29, 2020 for U.S. Appl. No. 29/613,149 (pp. 1-4).

Office Action dated Jun. 29, 2020 for U.S. Appl. No. 29/613,154 (pp. 1-4).

\* cited by examiner

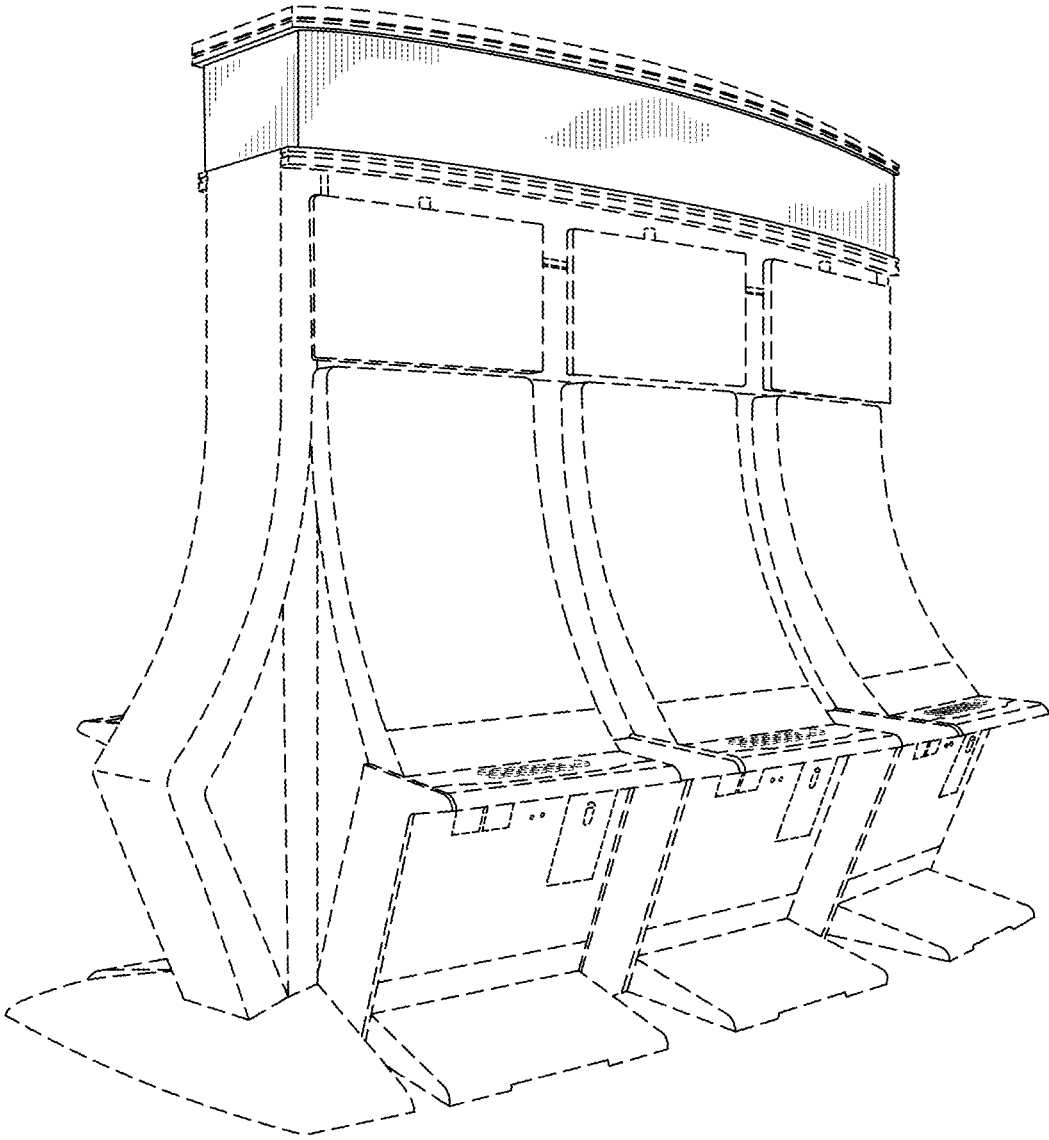


FIG. 1

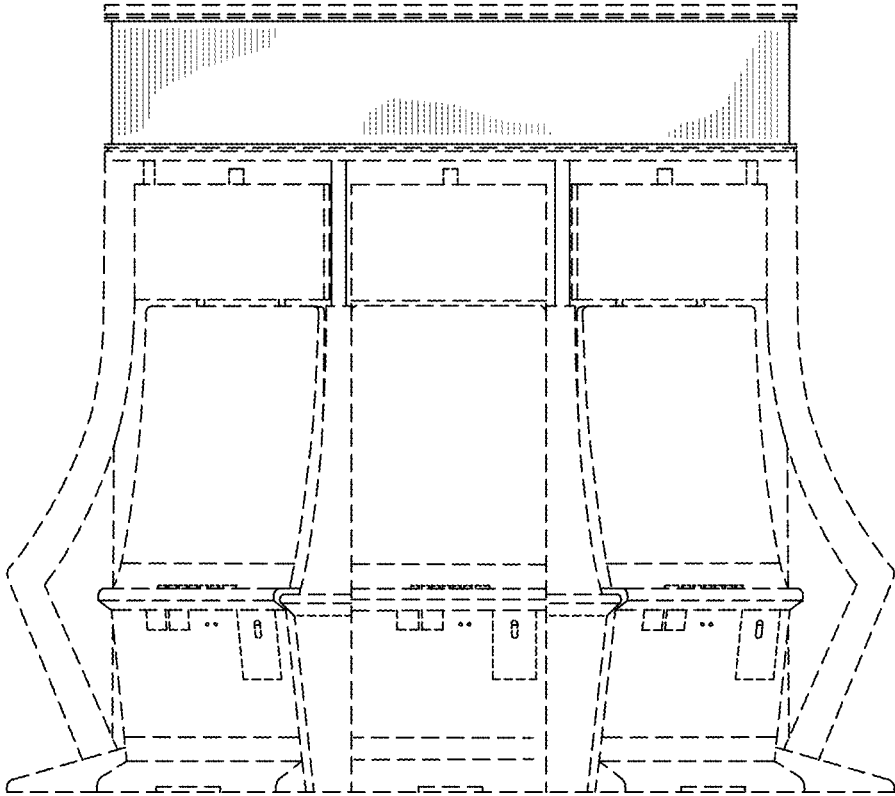


FIG. 2

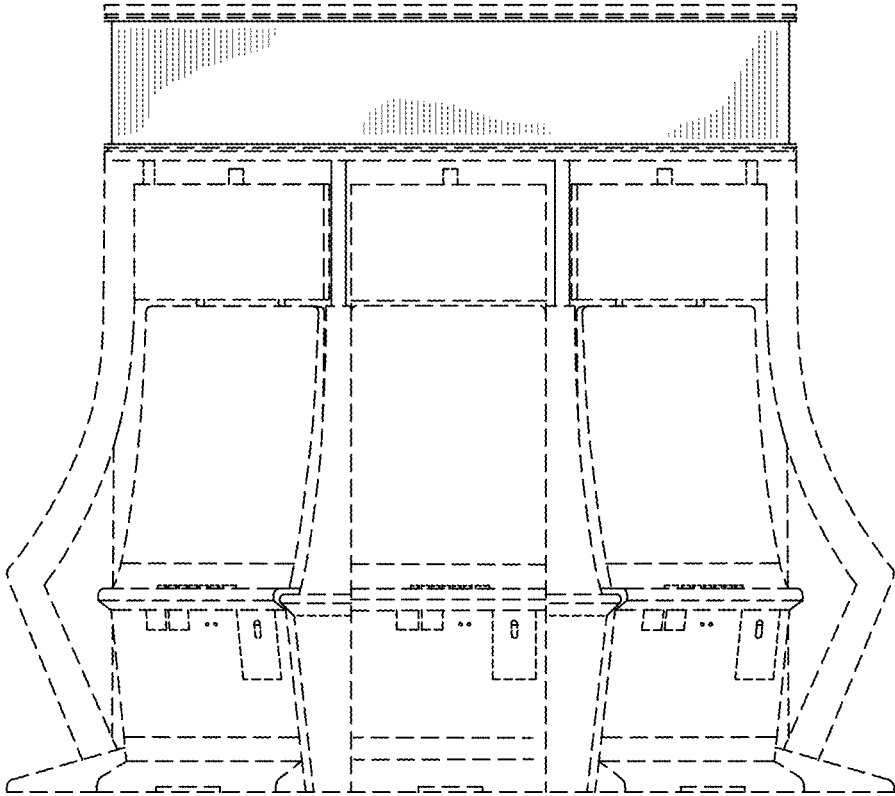


FIG. 3

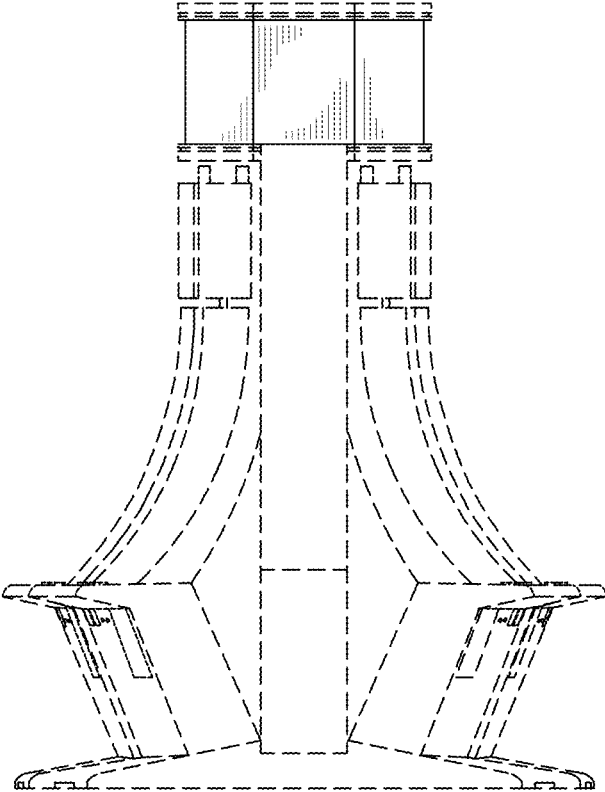


FIG. 4

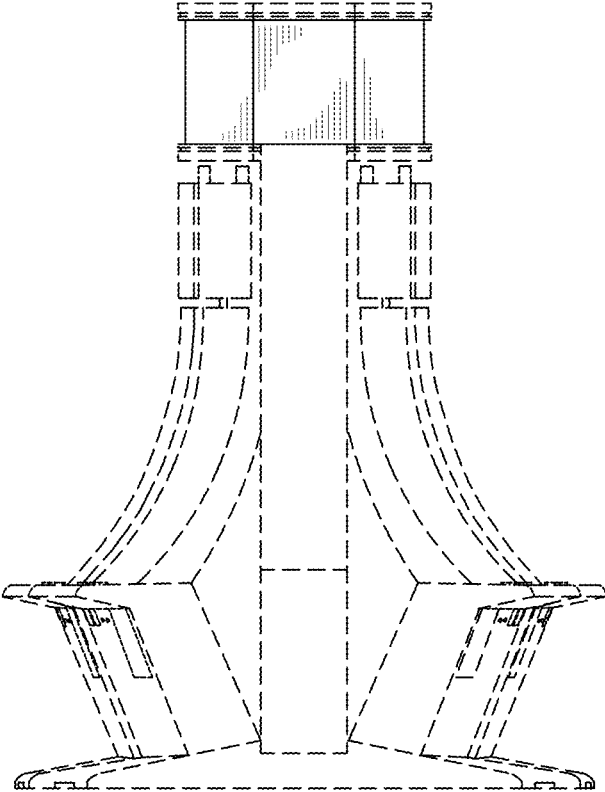


FIG. 5

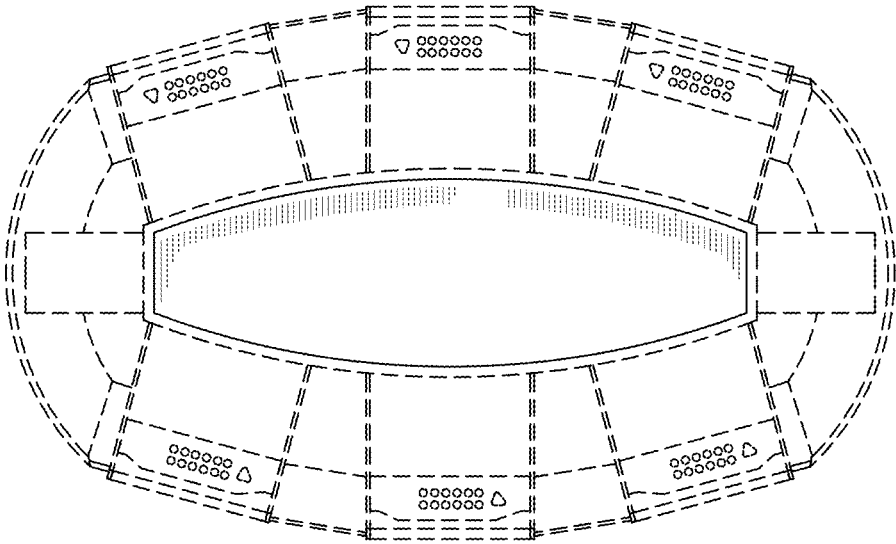


FIG. 6

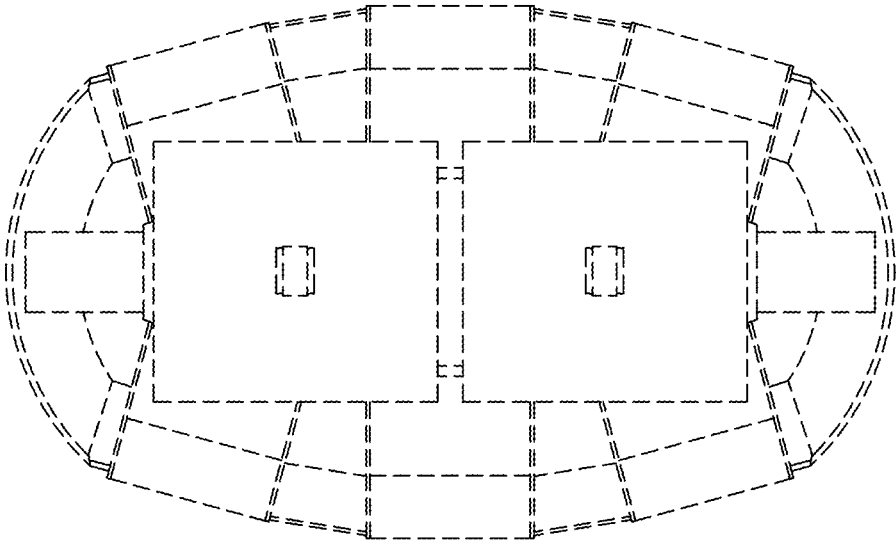


FIG. 7

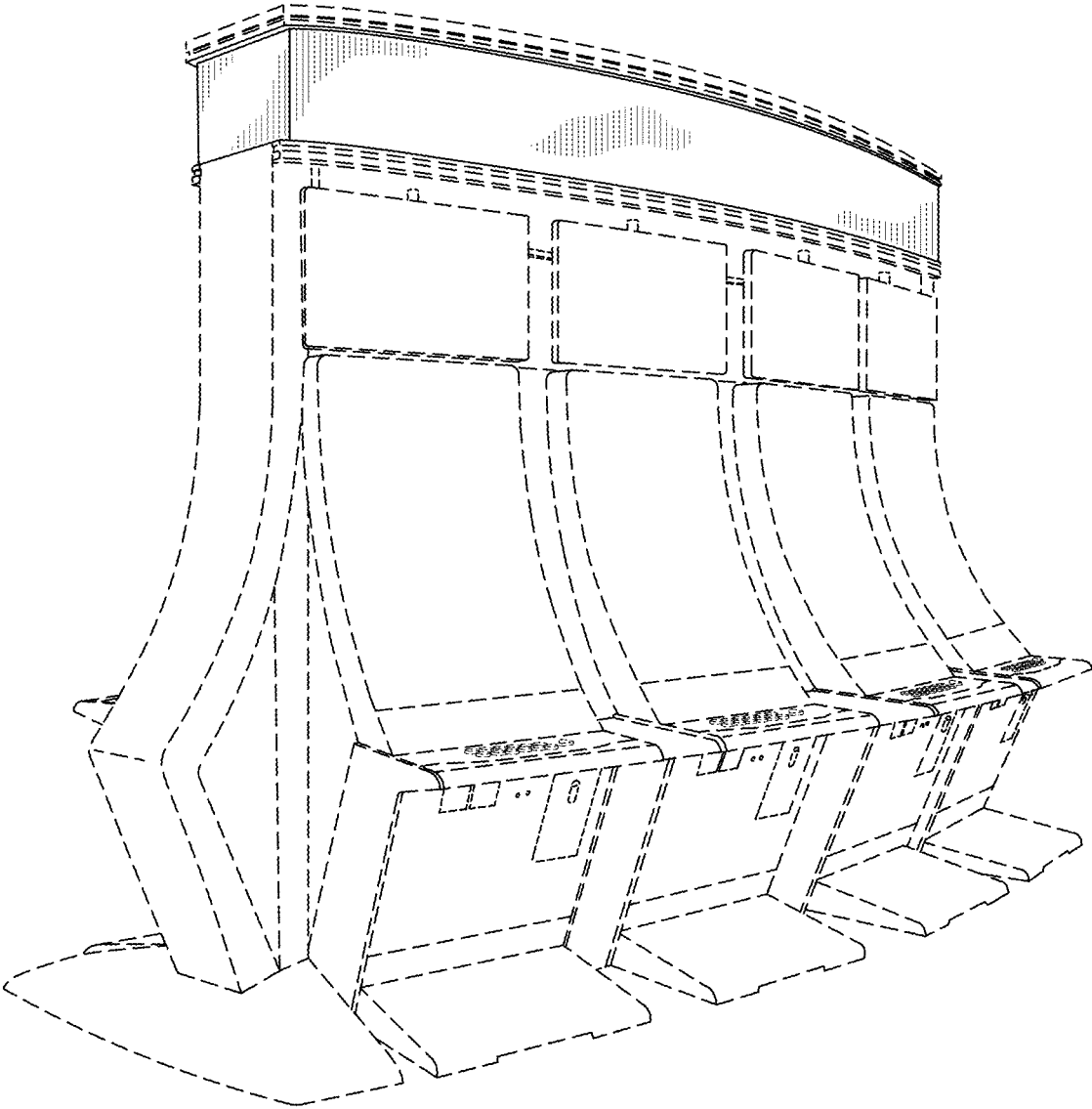


FIG. 8

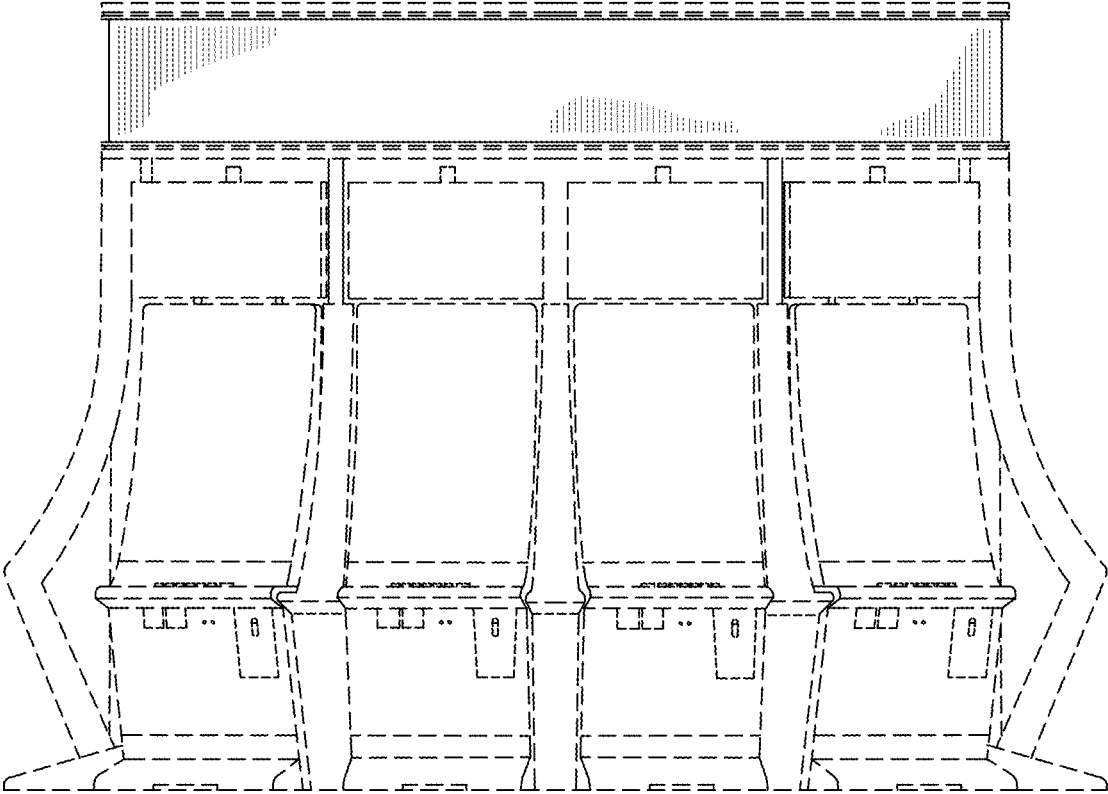


FIG. 9

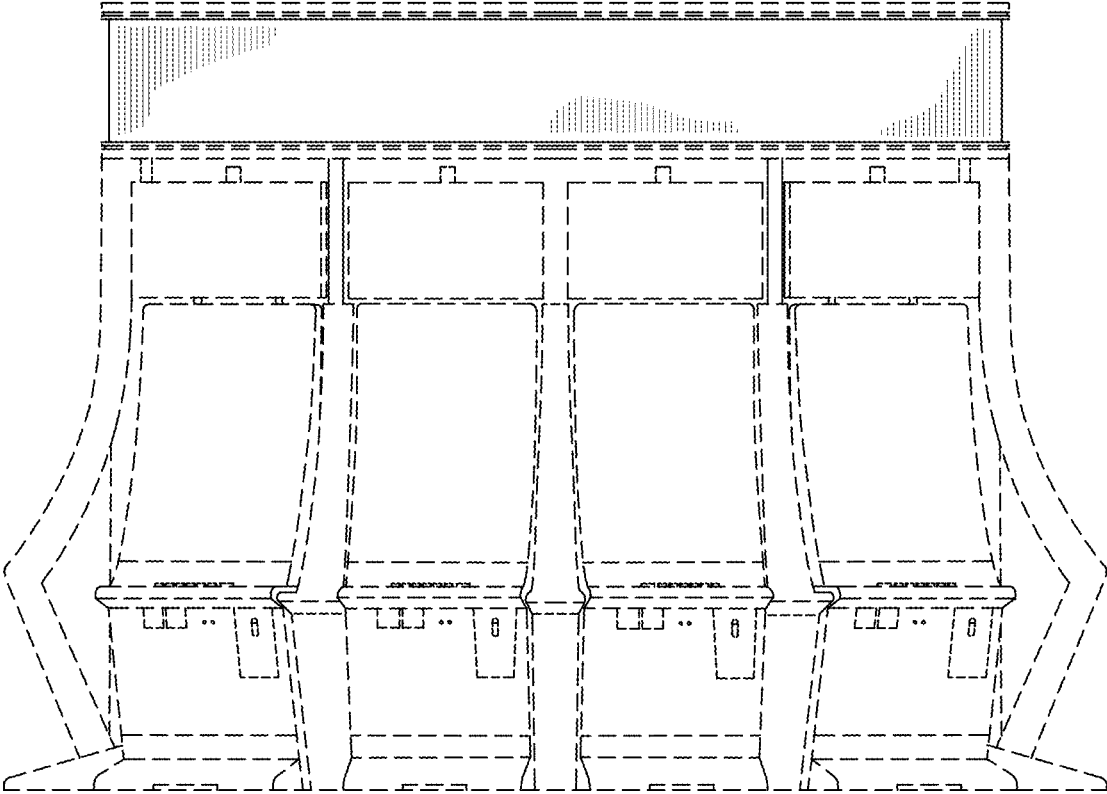


FIG. 10

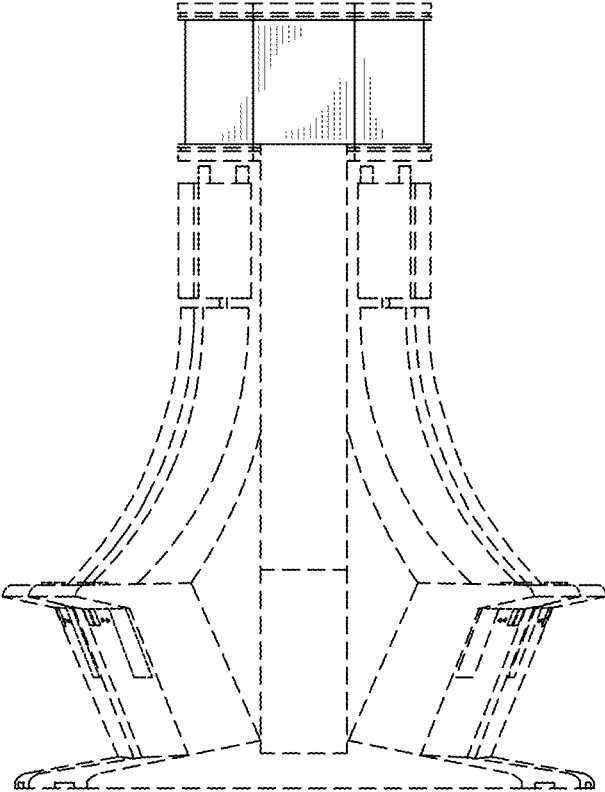


FIG. 11

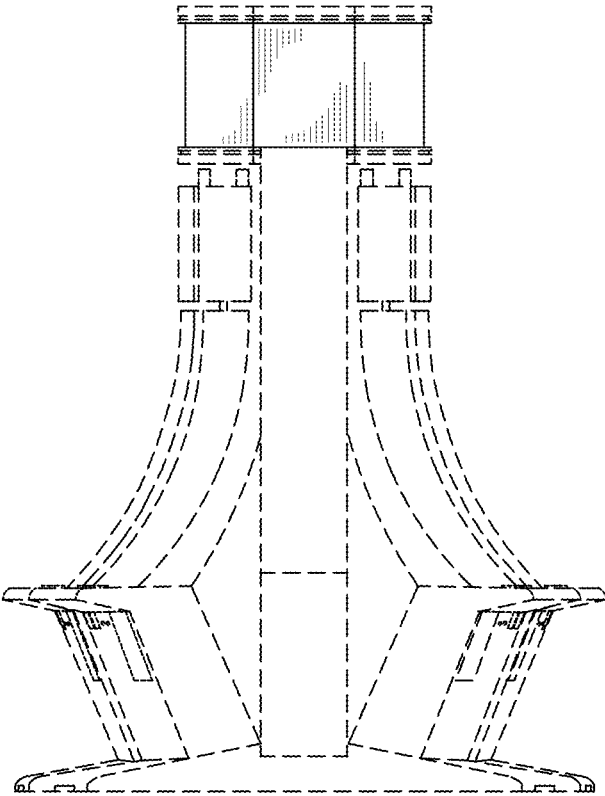


FIG. 12

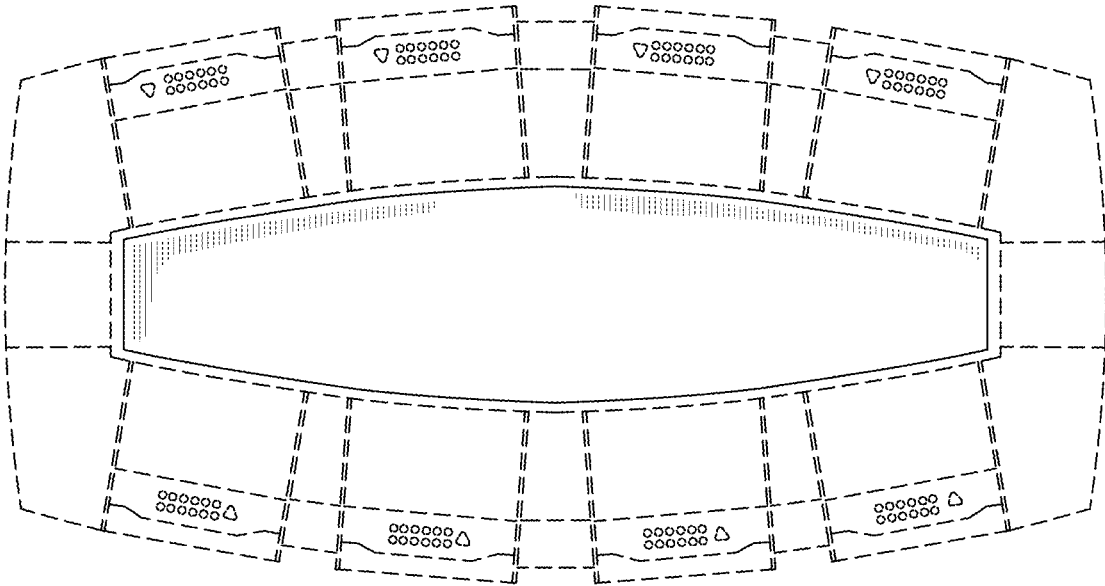


FIG. 13

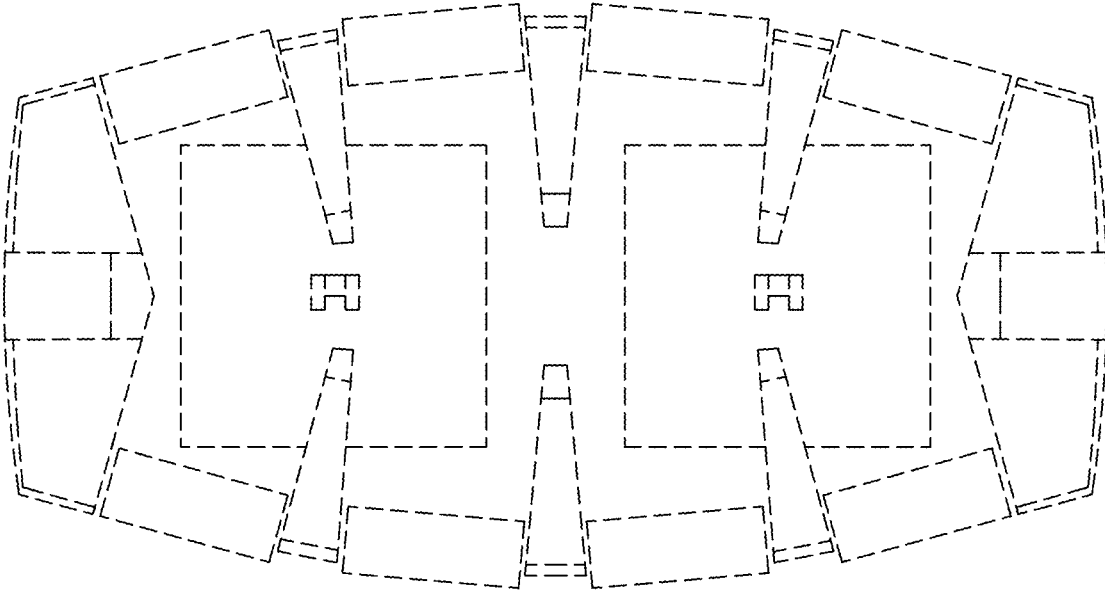


FIG. 14