



US00D666993S

(12) **United States Design Patent**
Kelley

(10) **Patent No.:** **US D666,993 S**

(45) **Date of Patent:** **** Sep. 11, 2012**

(54) **EAR CUSHION FACE PLATE FOR A COMMUNICATIONS HEADSET**

(75) Inventor: **John Kelley**, Santa Cruz, CA (US)

(73) Assignee: **Plantronics, Inc.**, Santa Cruz, CA (US)

(**) Term: **14 Years**

(21) Appl. No.: **29/405,975**

(22) Filed: **Nov. 8, 2011**

(51) **LOC (9) Cl.** **14-01**

(52) **U.S. Cl.** **D14/205; D14/225**

(58) **Field of Classification Search** D14/205,
D14/206, 223, 203.6, 204, 215, 216, 219,
D14/221, 222, 224, 224.1, 225, 228; 2/209;
181/129, 130, 135; 379/430, 431; 381/380,
381/381, 371

See application file for complete search history.

(56) **References Cited**

U.S. PATENT DOCUMENTS

D195,974 S *	8/1963	Spillman	D14/228
D254,183 S *	2/1980	Doodson	D14/205
D262,019 S *	11/1981	Upshaw	D14/205
D505,411 S *	5/2005	Sakai	D14/192
D512,417 S *	12/2005	Hirakawa et al.	D14/223
D517,533 S *	3/2006	Yūasa et al.	D14/221
D519,985 S *	5/2006	Wikel et al.	D14/205

D568,290 S *	5/2008	Wikel	D14/205
D604,266 S *	11/2009	Milde et al.	D14/205
D616,423 S *	5/2010	Chen	D14/222
D635,124 S *	3/2011	Morimoto	D14/205
D635,958 S *	4/2011	Ando et al.	D14/205
D647,081 S *	10/2011	Kwon	D14/223
D650,361 S *	12/2011	Chen	D14/215
D651,588 S *	1/2012	Chen	D14/216
D652,022 S *	1/2012	Miyawaki	D14/216
D654,475 S *	2/2012	Chen	D14/215
D657,776 S *	4/2012	Lee et al.	D14/205

* cited by examiner

Primary Examiner — Paula Greene

(74) *Attorney, Agent, or Firm* — Michael Rodriguez

(57) **CLAIM**

The ornamental design for an ear cushion face plate for a communications headset, as shown and described.

DESCRIPTION

FIG. 1 is a front-top-right perspective view of an ear cushion face plate for a communications headset showing my new design;

FIG. 2 is a back view thereof;

FIG. 3 is a front view thereof;

FIG. 4 is a left side view thereof;

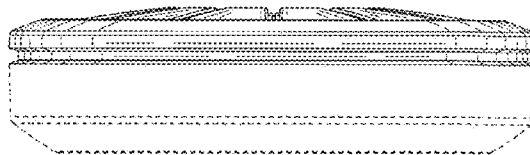
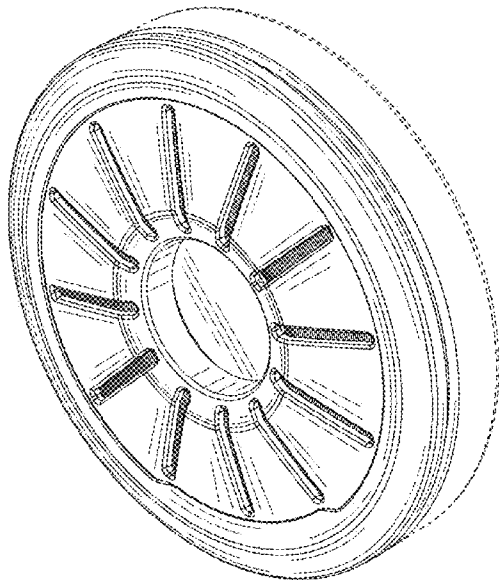
FIG. 5 is a right side view thereof;

FIG. 6 is a top view thereof; and,

FIG. 7 is a bottom view thereof.

The broken lines showing of the unclaimed environment forms no part of the claimed design.

1 Claim, 3 Drawing Sheets



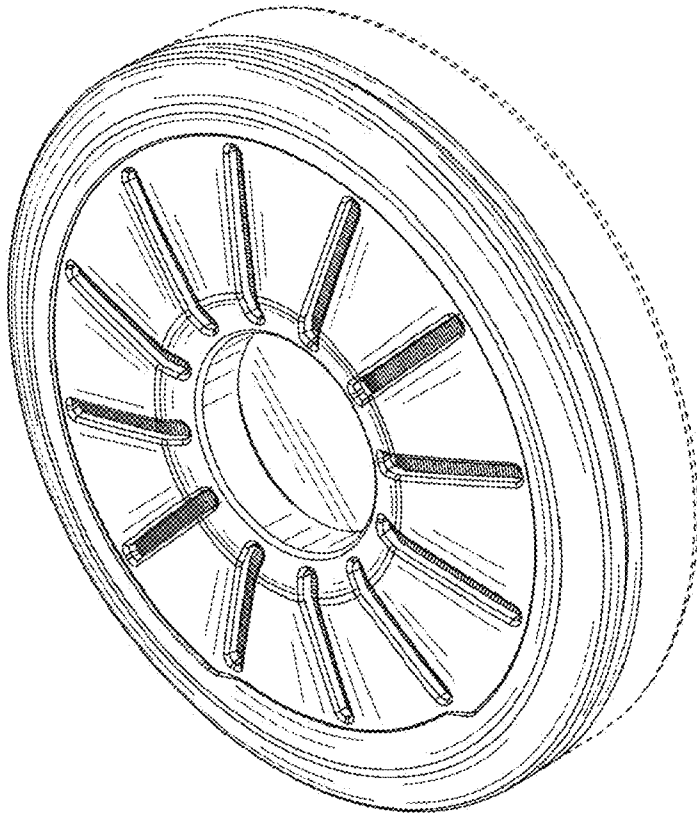


FIG. 1

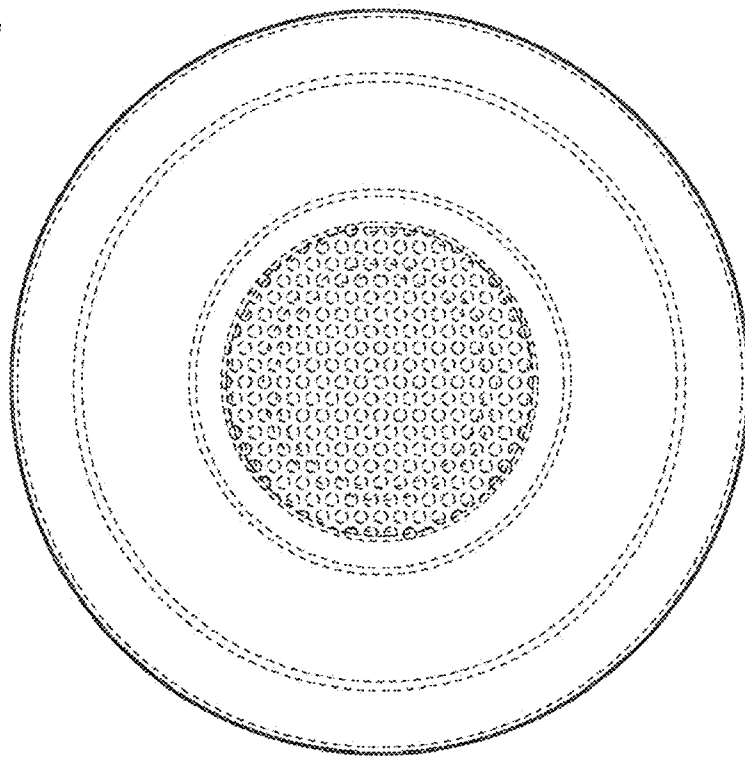


FIG. 2

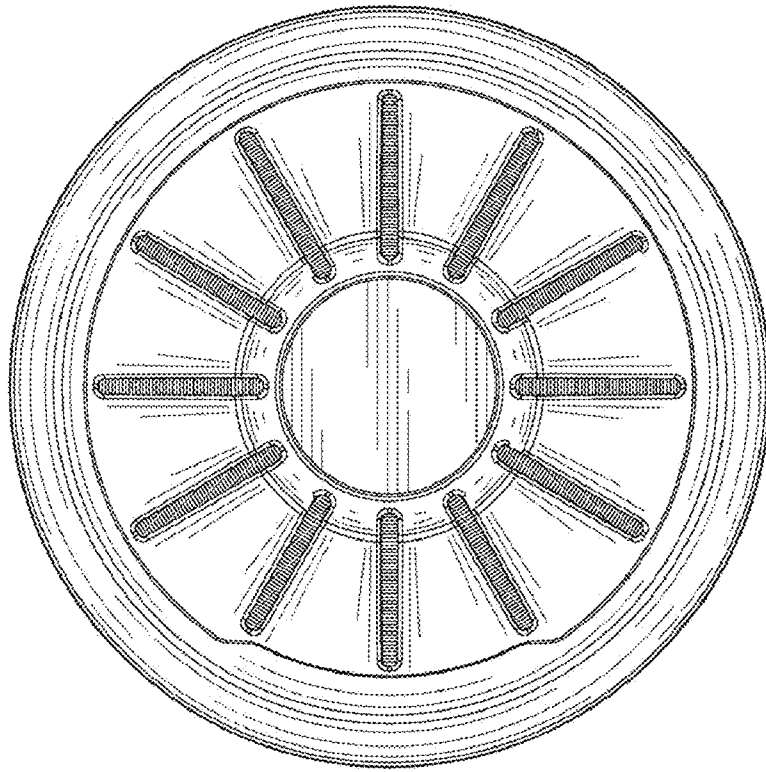


FIG. 3

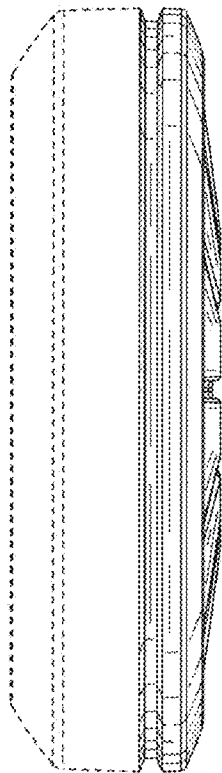


FIG. 4

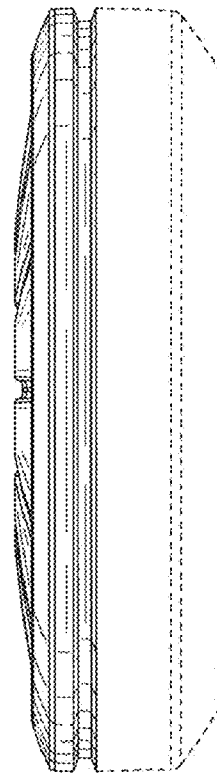


FIG. 5

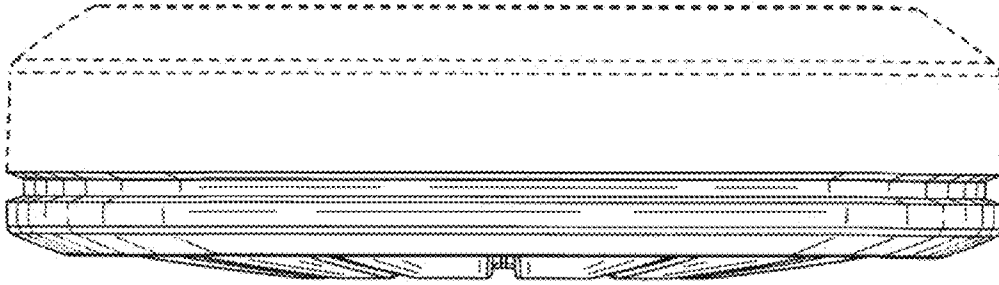


FIG. 6

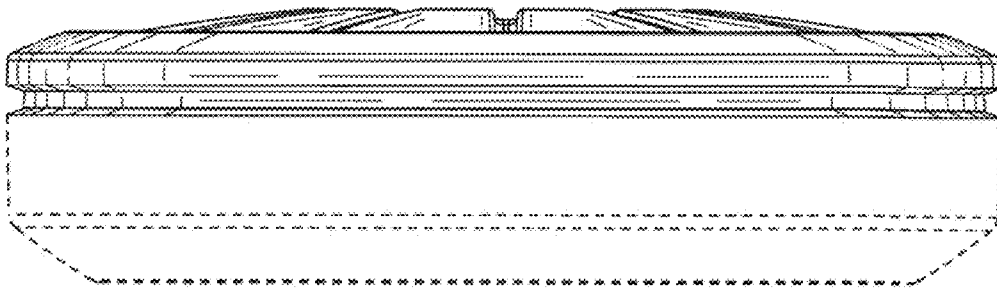


FIG. 7