



(72) HOOGST RATEN, Jack, CA

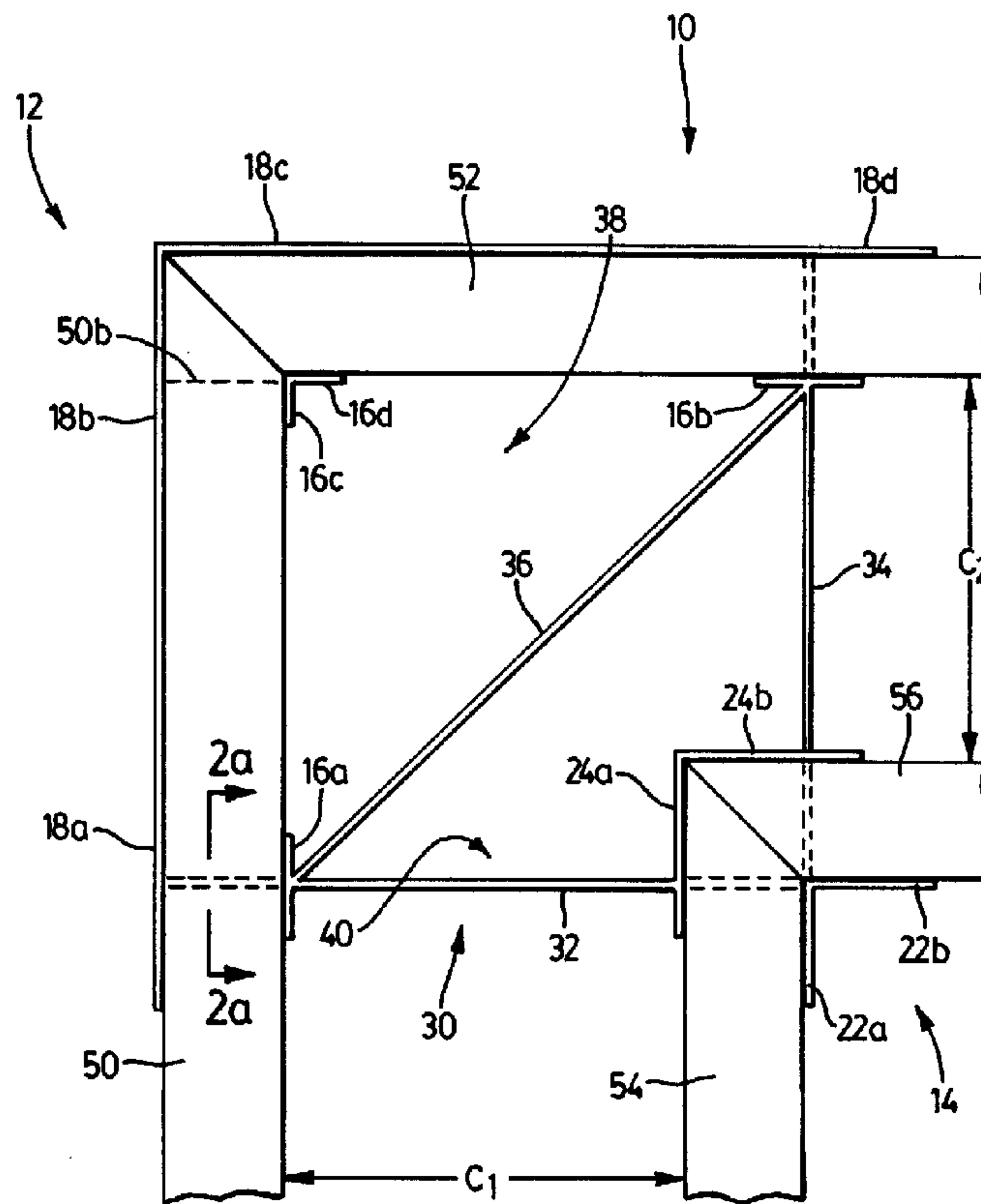
(71) PLASTI-FAB, A DIVISION OF PFB CORPORATION, CA

(51) Int.Cl.⁶ E04G 17/06

(30) 1999/01/15 (60/116,201) US

(54) **ATTACHES DE COIN AMELIOREES POUR SYSTEMES DE
COFFRAGE MURAL SERVANT A COULER DU BETON**

(54) **AN IMPROVED CORNER TIE FOR POURED CONCRETE
WALL FORM SYSTEMS**



(57) Disclosed herein is a corner joint support for holding forms for casting upright concrete walls, comprising an outer form support and an inner form support, the outer form support including inner and outer upright support portions joined by platforms extending therebetween, the inner form support including inner and outer upright support portions joined by platforms extending therebetween, and spacer means for positioning the inner form support relative to the outer form support.

CONCRETE WALL FORMING SYSTEM

ABSTRACT OF THE DISCLOSURE

Disclosed herein is a corner joint support for holding forms for casting upright concrete walls, comprising an outer form support and an inner form support, the outer form support including inner and outer upright support portions joined by platforms extending therebetween, the inner form support including inner and outer upright support portions joined by platforms extending therebetween, and spacer means for positioning the inner form support relative to the outer form support.

CONCRETE WALL FORMING SYSTEM

REFERENCE TO CO-PENDING APPLICATION

United States Provisional Application entitled CORNER TIE FOR POURED
CONCRETE WALL FROM SYSTEMS filed January 15, 1999 under serial number
5 60/116,201 is incorporated herein by reference.

FIELD OF INVENTION

The present invention relates generally to ties for poured concrete wall systems, and
more particularly to an improved methods for securing support walls therefor.

BACKGROUND OF THE INVENTION

10 Wall forming systems for poured concrete walls have been used for many years.
Most forms have been constructed of plywood, steel or aluminum and are typically stripped
from the poured concrete wall after the concrete has sufficiently hardened. Regardless of the
form material used, an inherent characteristic of these wall forming systems is the use of
straight form ties to maintain the position of the forms while concrete is poured and
15 subsequently hardened.

A recent development in this art field is the use of expanded polystyrene panels as
form panels. These newer form systems utilize pairs of foam panels which are connected
in a parallel, spaced apart relationship by a series of rigid plastic ties. Complete wall form
systems are created by stacking the paired foam panels into larger arrays. Concrete is then
20 poured between the panels of the completed foam wall form system. The thickness of the
poured concrete walls can be adjusted by the selection and utilization of form ties of
appropriate size. Subsequent to concrete hardening these foam panels may be left in place
to serve as insulation or may be stripped off to reveal the concrete.

While the aforementioned straight form ties are successful for their intended purpose, it was initially necessary to utilize additional specialized framing and/or form system components at a corner junction where two walls met. U.S. Patent No. 4,916,879 to P.E. Boeshart (issued April 17, 1990; entitled "Corner Tie") teaches a corner tie for use with
5 foam wall forming systems. The disclosed corner tie has a series of spaced paddles, which are joined in pairs by a single slender spacing strap; the spacing distance between the paddles is equal to the thickness of the foam panels. Similarly joined paddle pairs are interconnected via a network of slender straps to form the corner tie.

The Boeshart corner tie is deficient in several respects. As taught in the patent, the
10 series of paired paddles do not engage the edges of the foam panels to an appreciable degree; thus stability of the corner components of the foam wall form system is compromised. Moreover, the use of a simple network of slender straps to align the constituent paddle pairs of the corner tie confers a high degree of planar flexibility to the corner tie, thus imparting added instability to the aligned foam panels at corner junctions. As a result, the creation of
15 a stable foam panel wall forming system utilizing these corner ties typically requires the use of smaller foam panels and/or the closer spacing of corner ties (and therefore a greater number of constituent foam panels and/or number of corner ties). Additionally, the use of an external bracing system to reinforce or stabilize the corner sections of the completed wall forming system is generally required.

A second deficiency of this corner tie also arises from the use of the strap network
20 for paddle alignment. The multiplicity of straps criss-crossing the interior space of the corner tie obstructs and impedes the uniform pouring and settling of concrete in the wall forming system. As a result, the poured concrete may be honeycombed with air bubbles. These bubbles or honeycombing in the hardened concrete manifest as a decrease in wall strength
25 and stability.

A third deficiency in the Boeshart corner tie is that it cannot be used in conjunction with the traditional reinforcement rods typically used in concrete wall formation.

A fourth deficiency is that this corner tie provides a minimal surface or substrate area to which drywall can eventually be fastened.

As such, there is a clear need for a corner tie which addresses at least some of the aforementioned deficiencies of the current corner ties used in foam wall forming systems.

5 It is an object of the present invention to provide an improved technique for forming concrete walls.

SUMMARY OF THE INVENTION

10 Briefly stated, the present invention provides a corner joint support for holding forms for casting upright concrete walls, comprising an outer form support and an inner form support, the outer form support including inner and outer upright support portions joined by platforms extending therebetween, the inner form support including inner and outer upright support portions joined by platforms extending therebetween, and spacer means for positioning the inner form support relative to the outer form support.

15 In another of its aspects, the present invention provides a corner tie having four platform members connected in a generally rectangular configuration. The four platform members are located at the four corners of the generally rectangular configuration. A first platform member is connected to a second platform member via a first spacer member. The first platform member is further connected to a third platform member by a second spacer member such that the second and third platform members are located at
 20 generally opposite corners of the generally rectangular configuration. A fourth platform member is individually connected to the second and third platform members via a third and fourth spacer member, such that this fourth platform member is located generally opposite to the first platform member in the generally rectangular configuration. A brace member connects one of the platform members to the opposing platform member of the
 25 generally rectangular configuration. The corner tie may also possess engagement means for engaging the form panels. Preferably, the engagement means are slats which engage

the foam form panels by sliding into slits situated therein. The platform members may also have edge members generally attached perpendicularly thereto to maintain the stability and alignment of the constituent form panels of the wall forming system. Additionally, the brace or spacer members may be arranged to provide openings for engagement of concrete reinforcement rods.

In another of its aspects, the present invention provides a corner tie for aligning adjacent upright wall sections of a concrete form, comprising:

a plurality of upright support panels joined near their ends to form a closed ring structure and defining a concrete receiving passage therein, wherein selected pairs of the upright support panels form corner regions;

a plurality of platforms, each joined to a pair of the upright support panels in a corresponding corner region;

each of the platforms being arranged for receiving an upright wall section, and

at least one brace member extending across the passage and attached to opposite sides of the ring structure.

Preferably, the upright support panels form a generally rectangular closed ring structure, each platform has a pair of edges and is attached to the pair of upright support panels along the edges and the brace is positioned adjacent two opposed platforms. Each of a plurality of inner abutment members is fixed to a corresponding platform, while each of the inner abutment members is spaced from at least one of the upright support panels to receive one of the upright wall sections therebetween for restraining the wall section from lateral movement relative to the platform.

Preferably, selected pairs of the platforms define a wall section receiving passage which is bordered by one of the wall sections and a pair of the abutment members, wherein

another of the wall sections interrupts the wall section receiving passage. Selected abutment members include two flanges positioned at right angles to one another, wherein the wall section receiving passage is bordered by one of the flanges and one of the upright support panels. Preferably, each of the flanges is parallel with one of the upright support panels.

Preferably, the brace member has a pair of ends, each of which is joined at each end to one of the upright support panels at a position offset from a corresponding corner. Each end of the brace member is joined to a corresponding vertical support wall at a location substantially in common with a corresponding inner abutment member. The upright support panels extend above and below the platforms, for positioning two sets of upright wall sections.

In still another aspect of the present invention, there is provided a device for holding forms for casting upright concrete walls, comprising a first form support and a second form support, the first and second form supports each including a pair of upright support portions joined by platforms extending therebetween, spacer means for positioning the inner form support relative to the outer form support.

Preferably, an engagement means extends outwardly from each of said platforms for engaging the foam panels. The engagement means may include a slat extending from one support portion to another, a spike or some other projection for extending into a complementary passage in the foam panel.

Preferably, positioning means is also provided for positioning a reinforcement bar and may include a pair of flanges extending outwardly from said spacer means for receiving said reinforcement bar therebetween.

In still another of its aspects, the present invention provides a concrete wall form installation, comprising a plurality of panel elements walls held in an edgewise relationship to form a pair of spaced form walls to receive poured concrete therebetween, said

installation including at least one corner, said installation further comprising a plurality of corner ties as defined above, wherein said platform extends between adjacent panel elements in said corner for securing said panel elements in position therein.

In still another of its aspects, the present invention provides a concrete wall form installation, comprising a plurality of panel elements walls held in an edgewise relationship to form a pair of spaced form walls to receive poured concrete therebetween, said installation further comprising a plurality of devices as defined hereinabove wherein said platform extends between adjacent panel elements for securing said panel elements in position.

BRIEF DESCRIPTION OF THE DRAWINGS

FIGURE 1 is a top view of a corner tie in an operative condition;

FIGURE 2 is a perspective view of the corner tie of figure 1;

FIGURE 2a is a sectional view taken on line 2a-2a of figure 1;

FIGURE 3 is a top view of the corner tie of figure 1;

FIGURE 4 is a perspective view of another corner tie;

FIGURE 5 is a perspective view of a device for holding forms for casting upright concrete walls;

FIGURE 6 is a perspective view of another device for holding forms for casting upright concrete walls; and

FIGURE 7 is a perspective view of a concrete wall form installation.

DESCRIPTION OF THE ILLUSTRATED EMBODIMENTS

Referring to figures 1 to 3, there is provided a corner joint support shown at 10 for holding forms for casting upright concrete walls. The corner joint support has an outer form support 12 and an inner form support 14. The outer form support includes a number of inner and outer upright support portions 16a to 16d and 18a to 18d joined by platforms 20a to 20c which extend between corresponding support portions. The inner form support 14 includes a number of, in this case two each, inner and outer upright support portions 22a, 22b and 24a, 24b respectively which are joined, in this case, by a single platform 26 extending therebetween.

Spacer means, generally shown at 30 extends between and positions the inner form support 14 relative to the outer form support 12 to form a cavity having dimensions C1 and C2, which will be substantially equal when forming two concrete walls, each with the same thickness. In this case, the spacer means 30 is in the form of a plurality of spacer elements 32, 34 and 36 which extend between opposed inner support portions 16a, 16b of the outer form support and the inner support portions 24a, 24b of the inner form support 14 to connect the support portions of the outer form supports with the outer support portions of the inner form support 14. Located between the spacer elements are two passages, shown generally at 38 and 40, for receiving concrete.

Referring to figure 2, it will also be seen that inner and outer support portions 16, 18 have upper and lower ends shown at 42a, 42b and the platforms 20 and 26 are intermediate the upper and lower ends.

Referring to figure 2a, the corner tie is also provided with a number of slats which extend upwardly from the platforms 20a, 20c and 26 and which join the inner and outer support portions 16, 18 for fitting with corresponding passages in the form walls as shown at 50a in figure 2a.

Referring to figure 3, the spacer members may also be provided with a flange arrangement shown at 60 with an opening 60a therein to receive a reinforcement bar or the like. The flange arrangement may be placed at one of a number of locations on the spacer members so that the reinforcement bar is in its appropriate position to provide tensional strength to the formed concrete wall.

Figure 4 illustrates another corner tie 100 which, in this case, has platforms 102 which are positioned at the lower ends 104a of the inner and outer support portions shown at 106, 108

The corner tie 10 is used in the following manner. A number of such corner ties are assembled with a corresponding number of outer form walls 50, 52 and inner form walls 54 and 56. This is done by cutting the form walls to the desired length and then forming the slots 50a at the appropriate locations to allow the slats 60 to fit therein. Desirably, the form walls are selected with a thickness which is sufficient to cause them to fit snugly between the inner and outer support portions and rest on the corresponding platforms, though the fit between the support portions and the form walls may be adjusted as desired. The form walls may be mitred as shown in solid lines in the figures or instead, one form wall may have a rectangular cut end to abut the side of the adjacent form wall, as shown in dashed lines at 50b in figure 1.

A number of form walls may be installed edge-wise one on another to form a composite wall. In this case, the corner tie 10 is useful because it is intended to engage two sets of form walls, namely those engaging the upper and lower segments of the support portions, that is on the upper and lower sides of the platforms. The corner tie of figure 4, on the other hand, is most appropriately used on the bottom of the wall being formed and only engages one set of form walls, although the corner tie could be reversed to be the uppermost corner tie for a wall construction. Once the wall construction is made, concrete may be poured through the passages 38 and 40 to fill the cavity between the inner and outer form walls, thereby to construct the concrete wall.

The slats are useful to improve the strength of the corner tie, particularly between the platforms and their associated inner and outer support portions. Furthermore, the slats significantly improve the engagement of the form walls with the platforms and inner and outer support portions, which improve the coupling of the corner tie with the panel.

5 It will be understood that the corner tie 10 may be used with other form walls, including those made from such materials as wood, plastics, gypsum, paper and others, or a combination thereof, provided of course that they have the strength to withstand the pressures exerted on the walls of the form by the poured concrete.

10 The corner tie is particularly useful because it can also position, as desired, reinforcement bar or other items to be formed within the concrete wall, such as electrical, communications or plumbing conduit and the like.

In this case, the reinforcement bar or other items may be secured directly to the spacer members or to the inner support portions by a number of well known fixture methods such as by threaded fasteners, rivets, straps and the like.

15 Thus the inner and outer support portions align and stabilize the foam walls in relation to each other, while the length of the spacer elements dictate the thickness of the poured concrete wall. If desired, the spacer members may be arranged so that the dimension C1 larger or smaller than the dimension C2, thereby providing concrete walls with different thicknesses, all through the selection of the spacers members with suitable
20 lengths.

In the embodiments shown in the figures, the corner ties 10 and 100 both include four platform members spaced in a generally rectangular configuration. The platform members are generally situated at the four corners of this generally rectangular configuration and the form walls rest edgewise on platform members. The broad surface
25 area of the platform members provides for an increased interface between the foam panels and the corner tie, thus enhancing the stability of the foam panel-corner tie

engagement. The spacer members, in this case, maintain the platform members in a generally rectangular configuration relative to one another, although the platform members may be positioned in other configurations, that is to provide for the construction of other non-90° angled wall corners, that is acute or oblique angled corners. The spacer members also function to stabilize and maintain the planar aspect of corner tie.

It will be understood that the dimensions of the platforms, support portions and spacers may be selected, along with their material type, to provide varying degrees of structural resiliency, strength and so on. In this case, the spacer or brace members also contribute to the torsional resiliency of the corner tie. The spacer or brace members join, in this case, two opposing platform members 20a and 20c, although the brace member (or indeed an additional brace member) may be implemented to join the other two opposing platform members 20b and 26.

The inner and outer support portions are typically joined to the edges of the platform members. However, the support portions can also be joined to each other for additional support if need be. Additional spacer members may also be used, though such additional spacers may in some cases interfere with the flow of concrete through the tie.

The outer support portions 18a to 18d and the inner support portions 22 are also beneficial because they provide a significant surface area on the inner and outer surfaces of the so-formed concrete wall which serves as a mounting location for such things as interior and exterior claddings, such as exterior siding or interior dry wall, as well as figures such as lights and the like. The support portions may also have different configurations or sizes to those illustrated herein and such configurations will depend, in part, on the size of the concrete wall being formed, the number of conduits and the like being secured in the wall, the amount of surface area desired on the finished wall for the mounting of fixtures and panels and the like.

The corner tie provides, in one embodiment as shown in figures 1 to 3, an effective tool for aligning two sets of form walls both above and below the corner tie. By contrast, the corner tie of figure 4 provides a tool for aligning a single set of form walls. As such, the corner tie of figure 4 can be used either as a base or as a top cap of a wall forming system.

Referring to figure 5, there is shown a device for holding forms for casting upright concrete walls, comprising a first form support 152 and a second form support 154, the first and second form supports each including a pair of upright support portions 156 joined by platforms 158 extending therebetween and spacer means 160 for positioning the inner form support relative to the outer form support. Engagement means is also provided for engaging the foam panels with each of the form supports and, in this case, the engagement means are slats 162 extend outwardly from each platform and between the support portions 156, 158. The device 150 in figure 5 is effective for aligning a single set of form walls (one being shown at 162) placed between the support portions of each form support. The device 150 in an operative condition can be seen in figure 7 in the wall installation 164.

Another device is shown at 166 for aligning two sets of form walls both above and below the corner tie, as shown at 168, 170 in figure 6. Referring to figure 7, the form walls 170, 172 have upper and lower surfaces with recesses shown at 172a, 174a, which are approximately the size of the platforms. This allows the platforms to seat within the recesses to improve further the engagement of the devices 150 and 166 with the form walls, if desired. The recesses are also useful to maintain the edges of the form walls to be relatively close together to minimize seepage of poured cement therethrough.

The devices 150 and 166 are also provided with positioning means for positioning a reinforcement bar, which in this case includes a pair of flanges 180, 182 extending outwardly from said spacer means for receiving said reinforcement bar therebetween, as shown in chain-dotted lines at 184 in figure 6.

Whereas the invention has been shown and described in connection with the preferred embodiments thereof, it will be understood that many modifications, substitutions and additions may be made in addition to those herein described which are within the broad scope of the claims and would be readily evident to those skilled in the art. Accordingly, all suitable modifications and equivalents may be resorted to, and are considered as falling within the scope of the invention.

5

I claim:

1. A corner joint support for holding forms for casting upright concrete walls, comprising an outer form support and an inner form support, the outer form support including inner and outer upright support portions joined by platforms extending therebetween, the inner form support including inner and outer upright support portions joined by platforms extending therebetween, and spacer means for positioning the inner form support relative to the outer form support.
2. A corner joint as defined in claim 1 wherein said spacer means further includes a passage for receiving concrete there through.
3. A corner joint as defined in claim 1 wherein said spacer means comprises a plurality of spacer elements connecting the support portions of said outer form with the support portions of said inner form support.
4. A corner joint as defined in claim 1 wherein said spacer means further comprises a plurality of spacer elements extending between opposed inner support portions of said outer form support and the inner support portions of said outer form support.
5. A corner joint as defined in claim 1 wherein said support portions have upper and lower ends, and said platforms are intermediate said upper and lower ends.
6. A corner tie for interlocking the ends of parallel, spaced apart form panels which intersect a second pair of parallel, spaced apart form panels, comprising:
 - four platform members connected in a generally rectangular configuration, wherein said platform members are located at the corners of said generally rectangular configuration;

a first platform member connected to a second platform member by a first spacer member;

5 said first platform member further connected to a third platform member by a second spacer member, such that said second and third platform members are located at generally opposite corners of the generally rectangular configuration;

a fourth platform member connected to the second platform member via a third space member;

10 said fourth platform member further connected to the third platform member via a fourth spacer member, such that said fourth platform member is located at the corner generally opposite to the first platform member in the generally rectangular configuration;

a brace member connecting any two opposing platform members of the generally rectangular configuration.

- 15 7. The corner ties of claim 6 wherein at least one of the platform members possesses engagement means for engaging the foam panels.
8. The corner tie of claim 7 wherein the engagement means comprises slats extending in a generally perpendicular manner from the platform members.
- 20 9. The corner tie of claims 6 wherein at least one of the platform members further comprises at least one edge member joined to the platform member.
10. The corner tie of claim 9 wherein the edge member is a paddle.

11. The corner tie of claim 10 wherein the edge member is joined in a generally perpendicular manner to the platform member.
12. The corner tie of claim 10 further comprising a pair of joined edge members, said pair of joined edge members consisting of a first edge member joined in an angular relationship to a second edge member, said first and second edge members also being joined to a common platform member.
13. The corner tie of claim 12 wherein the angular relationship is generally perpendicular.
14. The corner tie of claims 12 wherein at least one of the platform members further comprises at least two pairs of joined edge members.
15. The corner tie of claim 6 wherein the brace member has openings for engagement of concrete reinforcement bars.
16. The corner tie of claim 6 wherein at least one of the spacer members has openings for engagement of concrete reinforcement bars.
17. A corner tie for aligning adjacent upright wall sections of a concrete form, comprising:
- a plurality of upright support panels joined near their ends to form a closed ring structure and defining a concrete receiving passage therein, wherein selected pairs of said upright support panels form corner regions;
- a plurality of platforms, each joined to a pair of said upright support panels in a corresponding corner region;
- each of said platforms being arranged for receiving an upright wall section, and

at least one brace member extending across said passage and attached to opposite sides of said ring structure.

18. A corner tie as defined in claim 17 wherein said upright support panels form a generally rectangular closed ring structure.

5 19. A corner tie as defined in claim 17 wherein each platform has a pair of edges and is attached to said pair of upright support panels along said edges.

20. A corner tie as defined in claim 17 wherein said brace is positioned adjacent two opposed platforms.

10 21. A corner tie as defined in claim 17 further comprising a plurality of inner abutment members, each of which is fixed to a corresponding platform, each of said inner abutment members to be spaced from at least one of said upright support panels to receive one of said upright wall sections therebetween for restraining said wall section from lateral movement relative to said platform.

15 22. A corner tie as defined in claim 21 wherein selected pairs of said platforms define a wall section receiving passage which is bordered by one of said wall sections and a pair of said abutment members, wherein another of said wall sections interrupts said wall section receiving passage.

20 23. A corner tie as defined in claim 22 wherein selected abutment members include two flanges positioned at right angles to one another, wherein said wall section receiving passage is bordered by one of said flanges and one of said upright support panels.

24. A corner tie as defined in claim 23 wherein each of said flanges is parallel with one of said upright support panels.

25. A corner tie as defined in claim 20 wherein said brace member has a pair of ends, each of which is joined at each end to one of said upright support panels at a position offset from a corresponding corner.
- 5 26. A corner tie as defined in claim 25 wherein each end of said brace member is joined to a corresponding vertical support wall at a location substantially in common with a corresponding inner abutment member.
27. A corner tie as defined in claim 17 wherein said upright support panels extend above and below said platforms, for positioning two sets of upright wall sections.
- 10 28. A device for holding forms for casting upright concrete walls, comprising a first form support and a second form support, the first and second form supports each including a pair of upright support portions joined by platforms extending therebetween, spacer means for positioning the inner form support relative to the outer form support.
- 15 29. A device as defined in claim 28 further comprising engagement means extending outwardly from each of said platforms for engaging the foam panels.
30. A device as defined in claim 29 wherein said engagement means includes a slat extending from one support portion to another.
31. A device as defined in claim 28 further comprising positioning means for positioning a reinforcement bar.
- 20 32. A device as defined in claim 31 wherein said positioning means includes a pair of flanges extending outwardly from said spacer means for receiving said reinforcement bar therebetween.

33. A concrete wall form installation, comprising a plurality of panel elements walls held in an edgewise relationship to form a pair of spaced form walls to receive poured concrete therebetween, said installation including at least one corner, said installation further comprising a plurality of corner ties according to claim 1,
5 wherein said platform extends between adjacent panel elements in said corner for securing said panel elements in position therein.

34. An concrete wall form installation, comprising a plurality of panel elements walls held in an edgewise relationship to form a pair of spaced form walls to receive poured concrete therebetween, said installation further comprising a plurality of
10 devices according to claim 28 wherein said platform extends between adjacent panel elements for securing said panel elements in position.

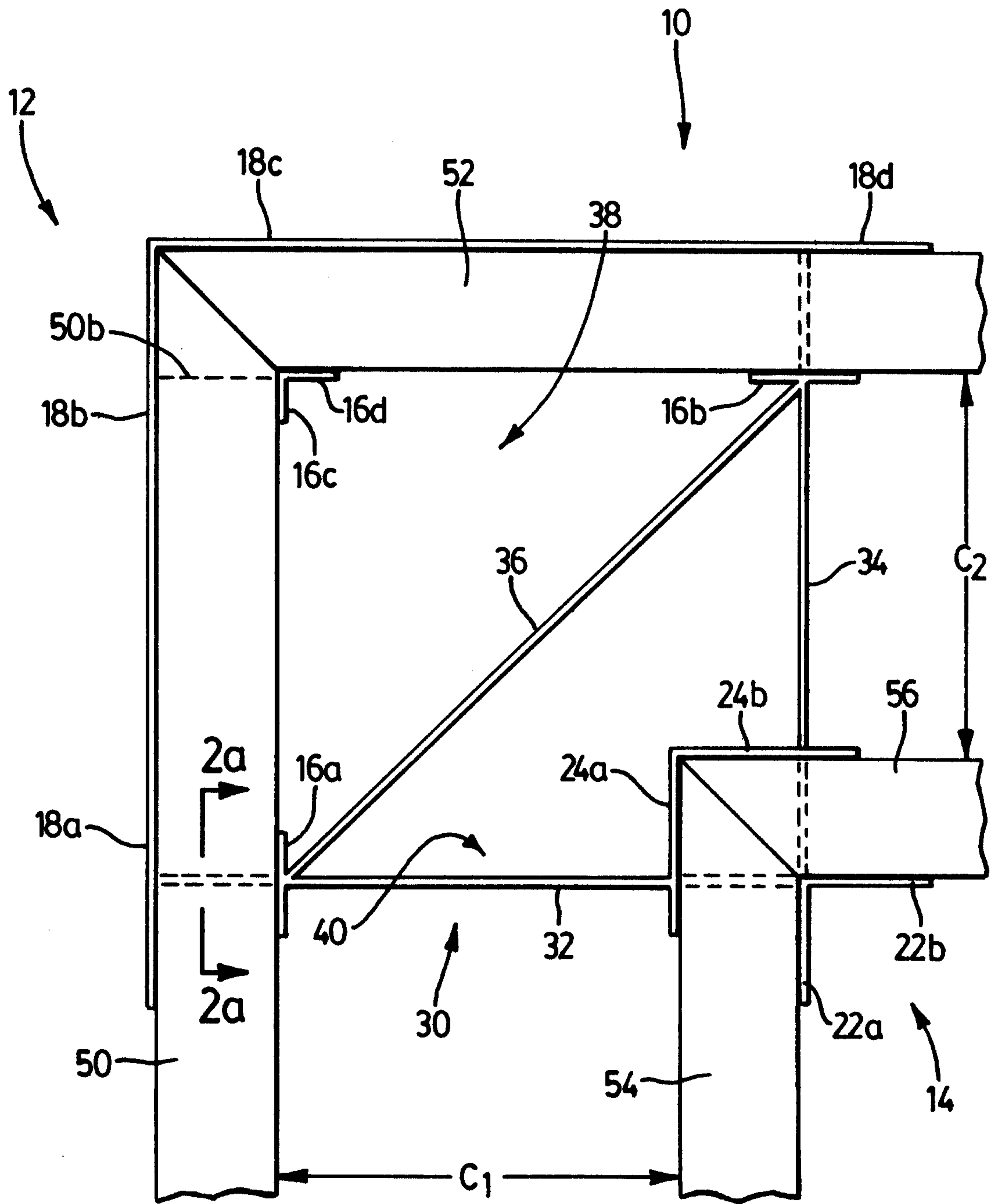


FIG. 1

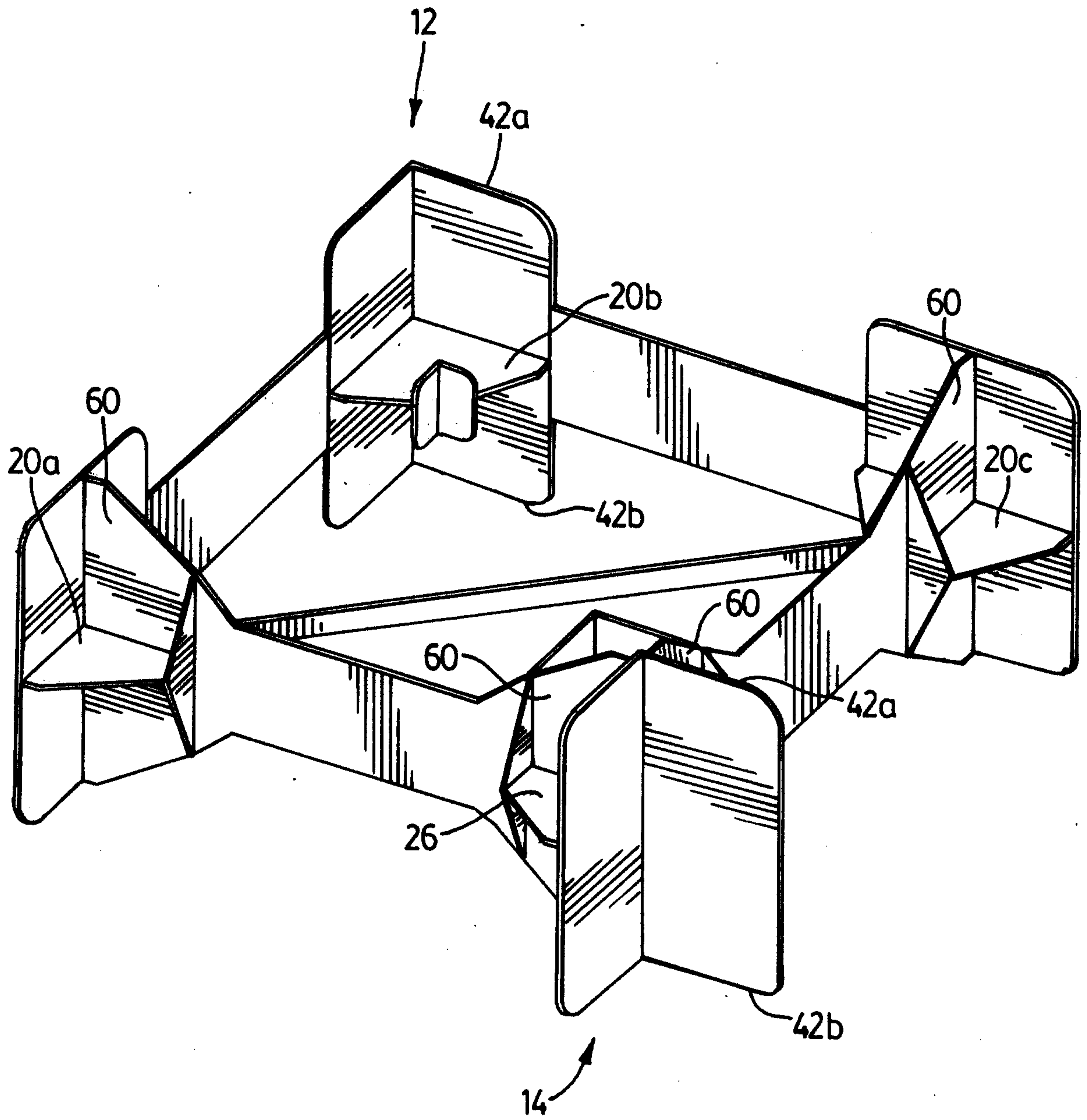


FIG. 2

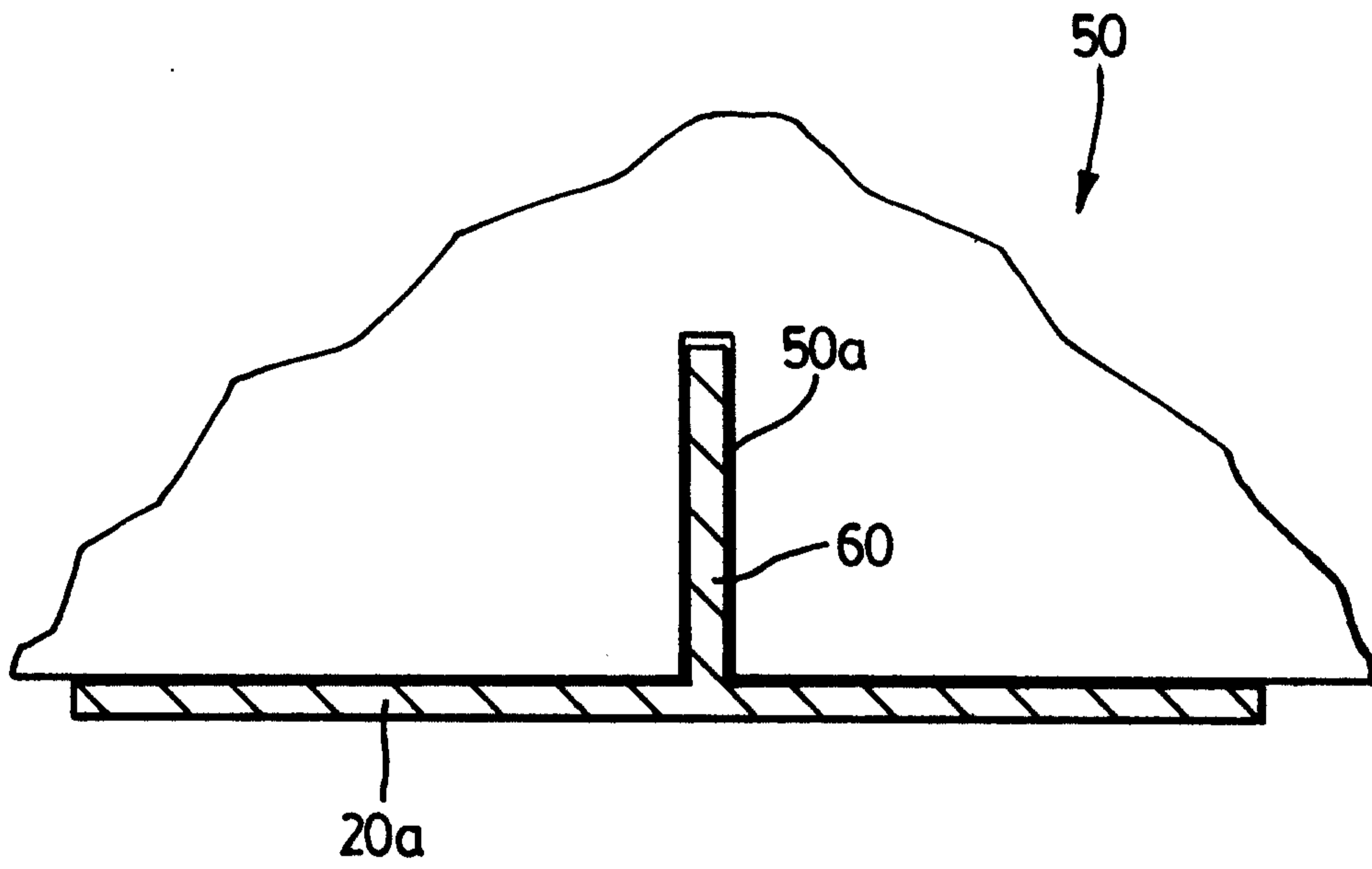


FIG. 2a

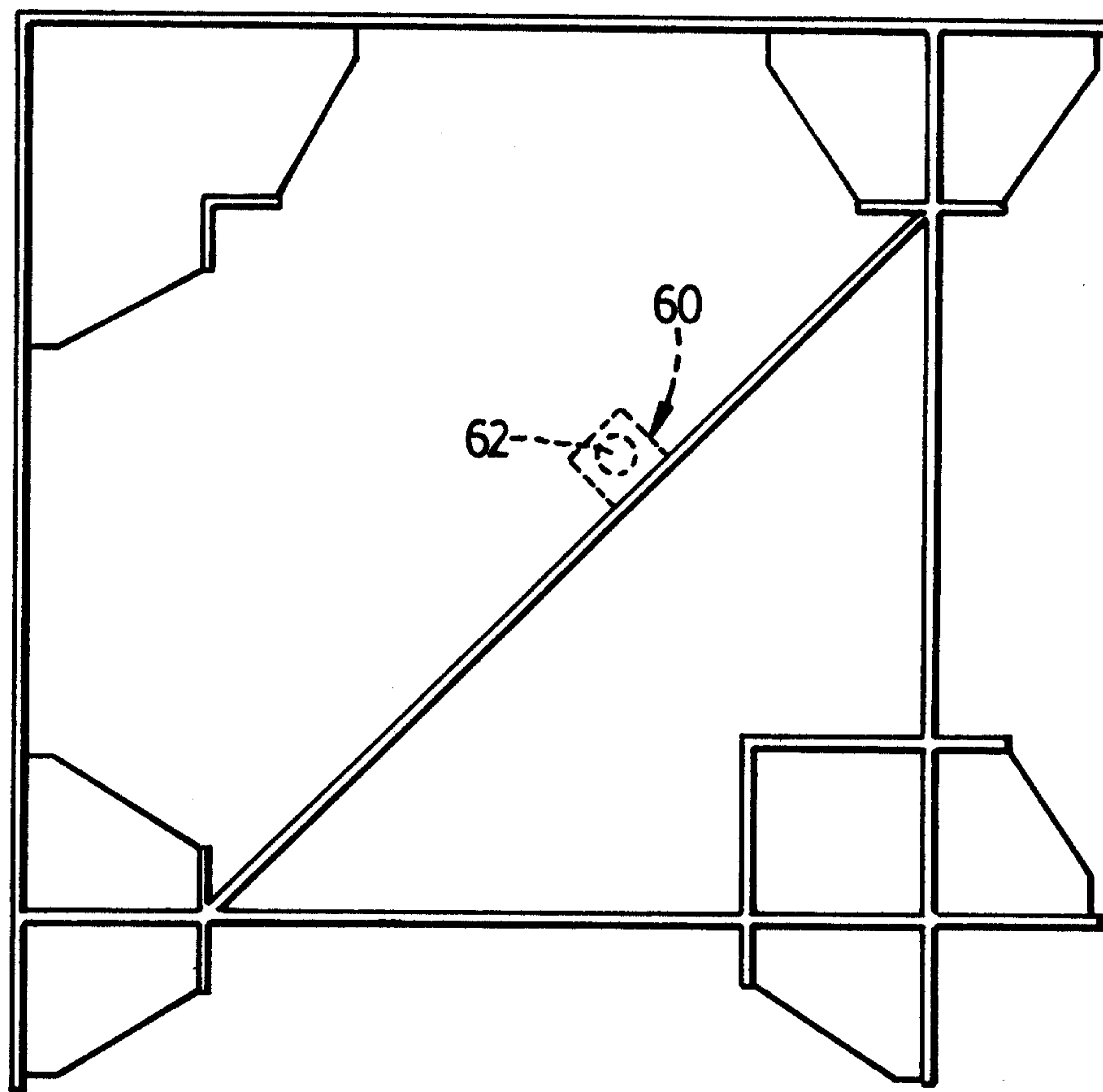


FIG. 3

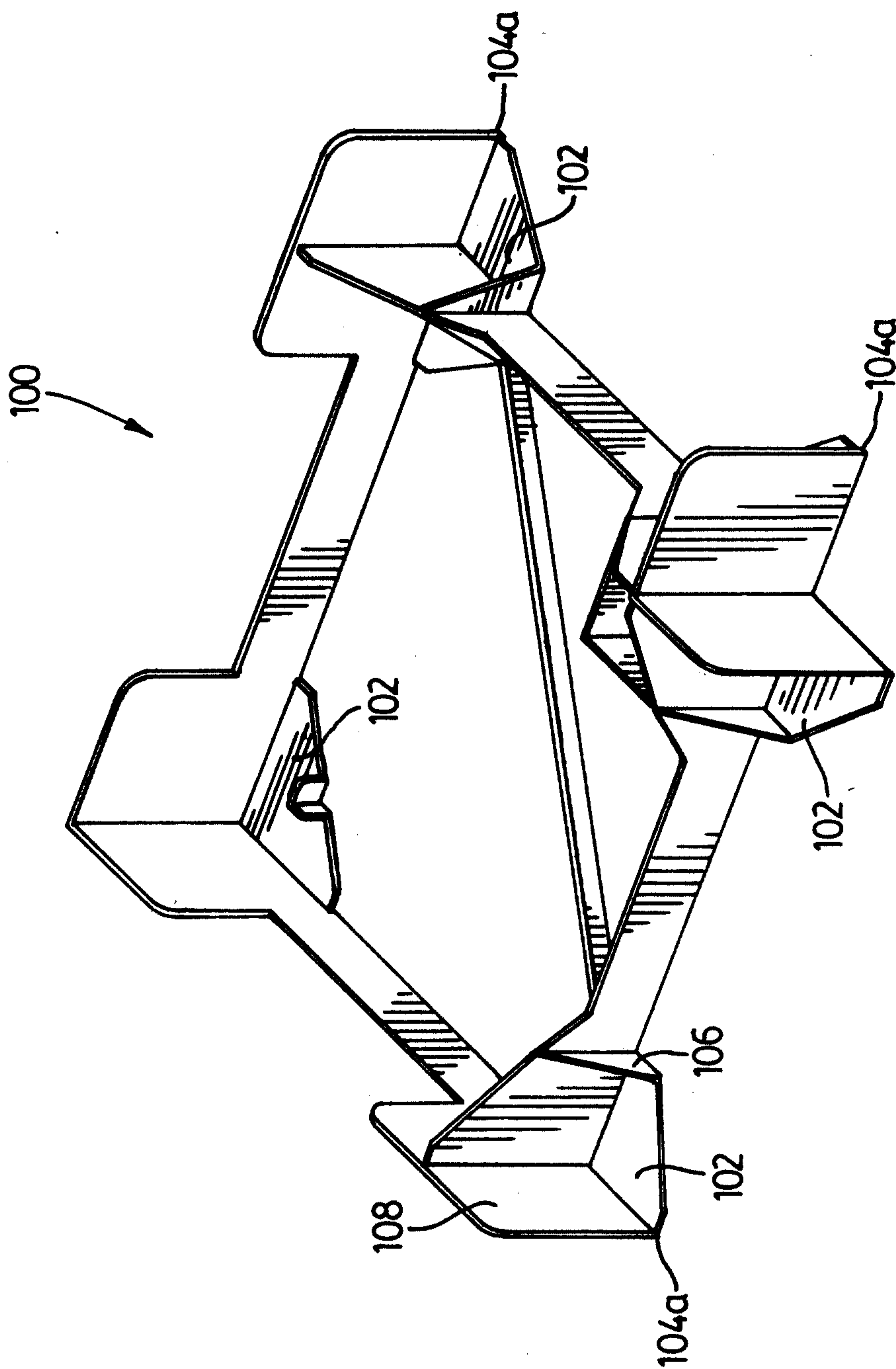


FIG. 4

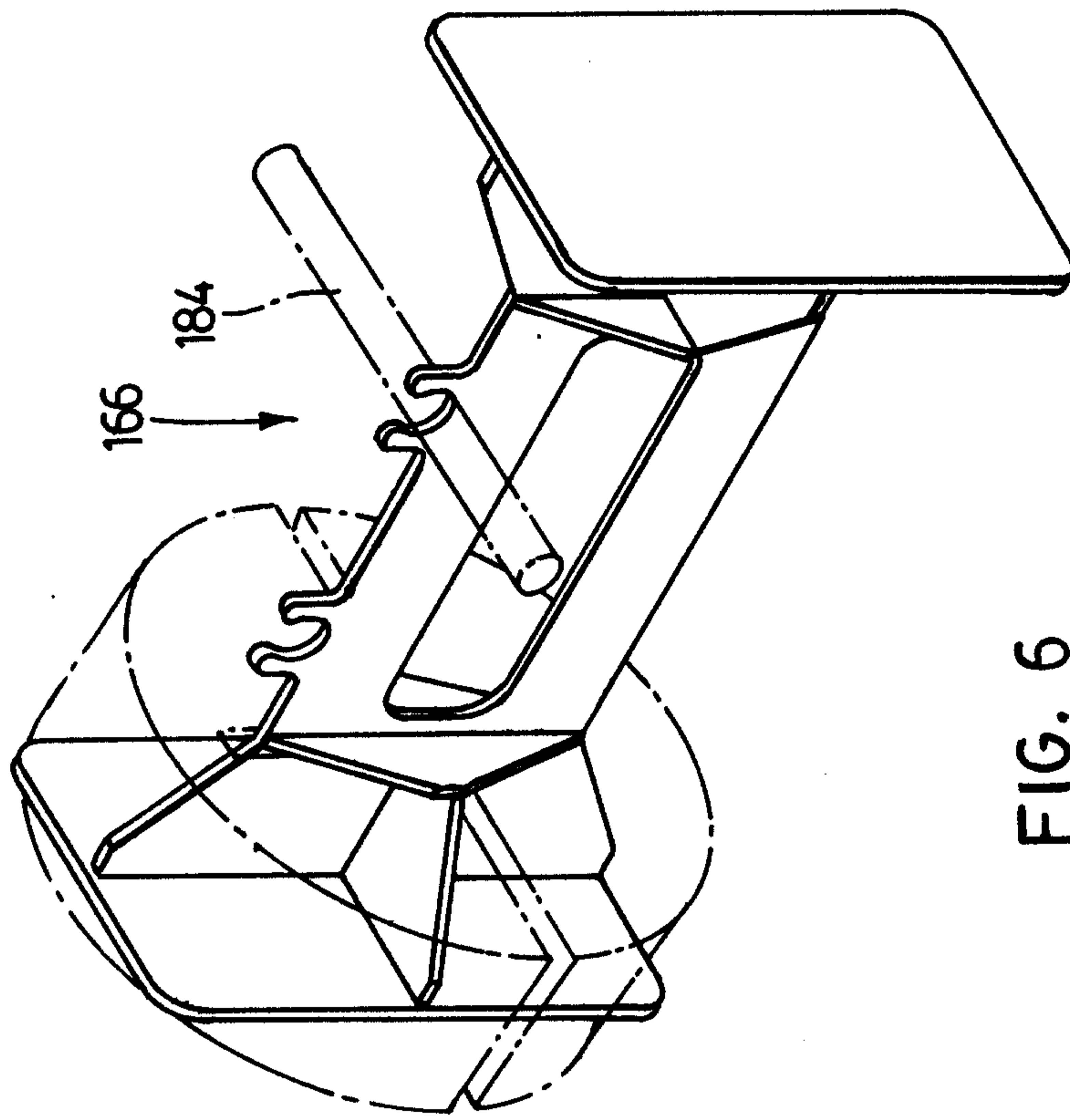


FIG. 6

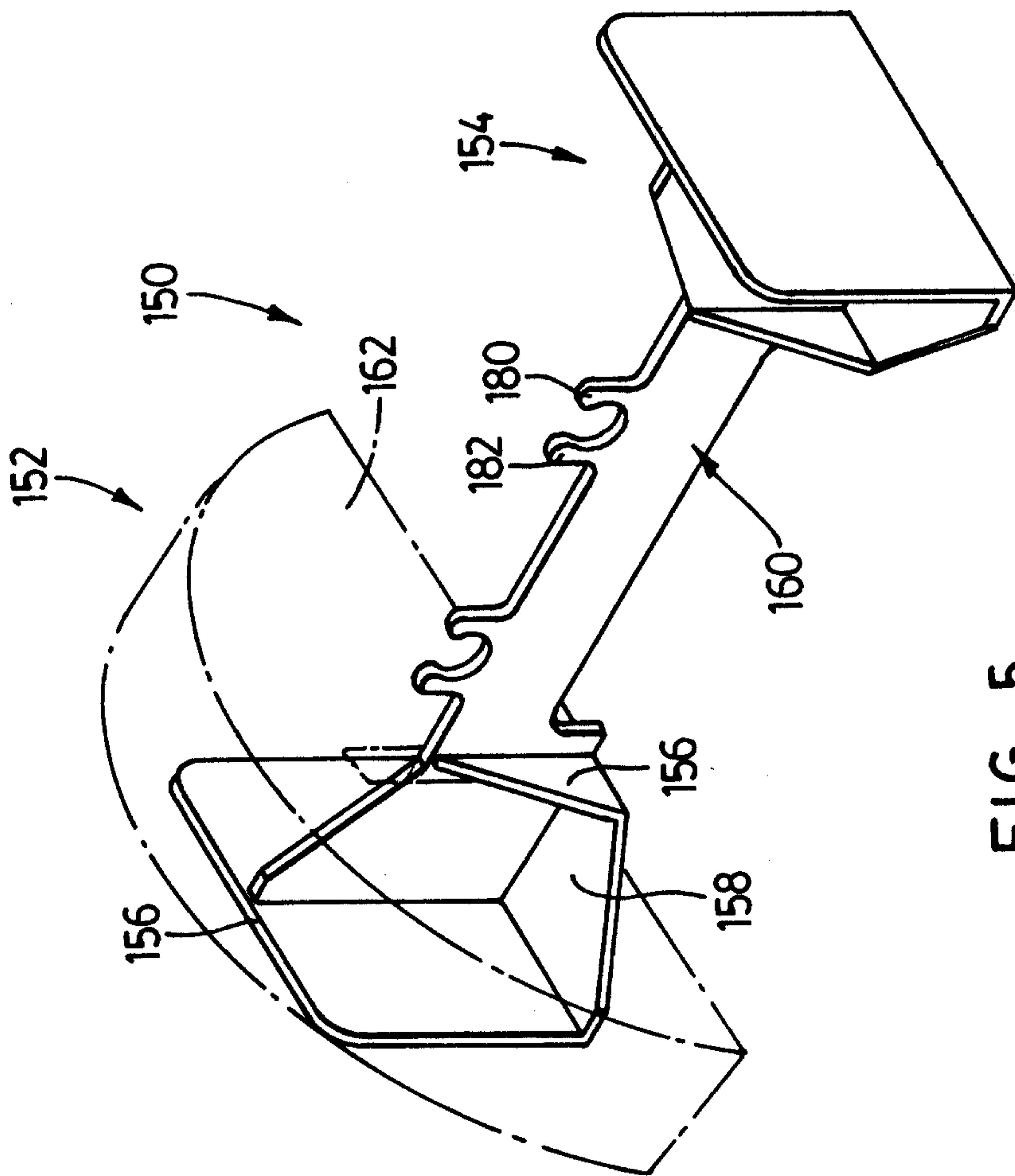


FIG. 5

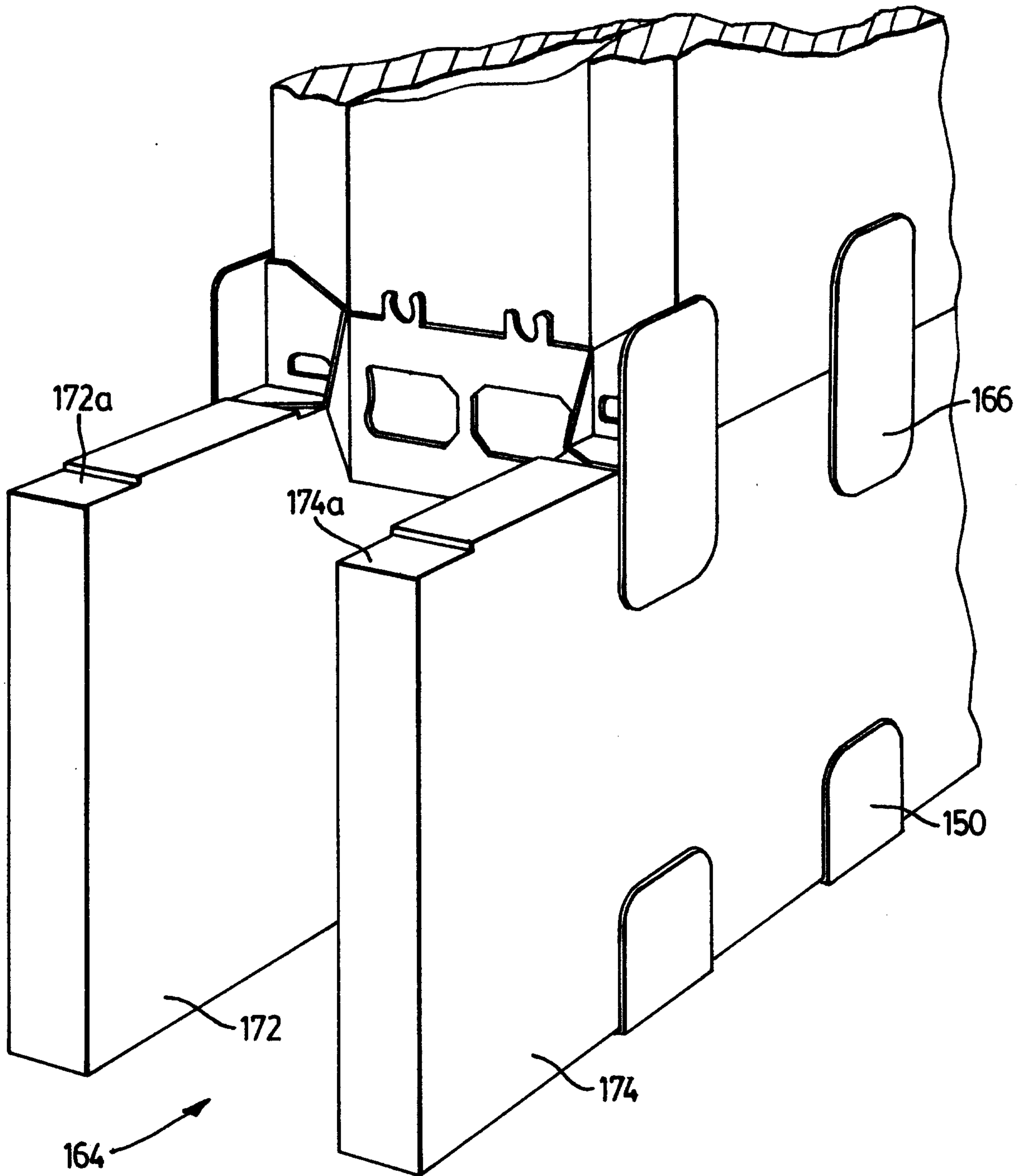


FIG. 7