

(19) World Intellectual Property Organization
International Bureau



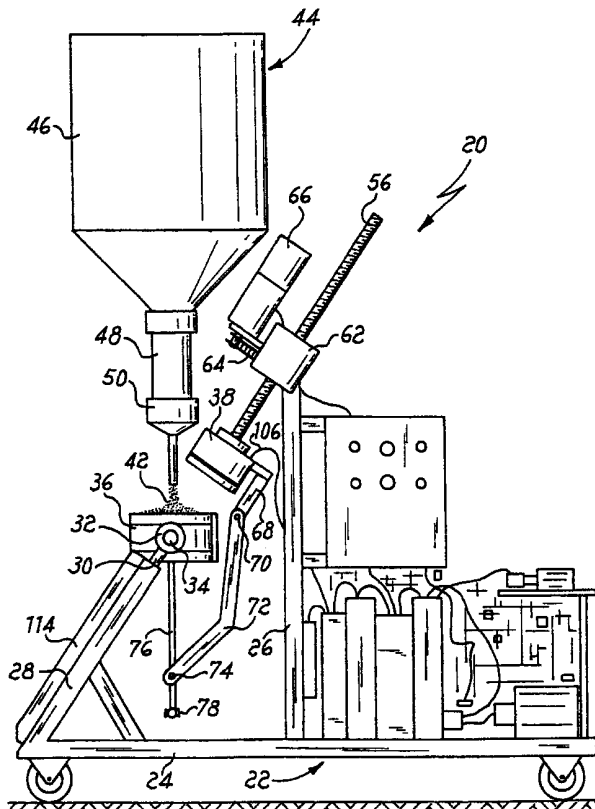
(43) International Publication Date
8 September 2000 (08.09.2000)

PCT

(10) International Publication Number
WO 00/51479 A3

- (51) International Patent Classification⁷: A47J 31/40, 31/54 [IT/IT]; Via Leonardo da Vinci, 53, I-27055 Rivanazzano (IT).
- (21) International Application Number: PCT/EP00/01643 (74) Agents: MICHELOTTI, Giuliano et al.; Dragotti & Associati SRL, Galleria San Babila, 4/C, I-20122 Milano (IT).
- (22) International Filing Date: 28 February 2000 (28.02.2000) (81) Designated States (*national*): AU, CA, CN, JP, KR, US, ZA.
- (25) Filing Language: English (84) Designated States (*regional*): European patent (AT, BE, CH, CY, DE, DK, ES, FI, FR, GB, GR, IE, IT, LU, MC, NL, PT, SE).
- (26) Publication Language: English
- (30) Priority Data: MI99A000416 2 March 1999 (02.03.1999) IT **Published:**
— *With international search report.*
- (71) Applicant (*for all designated States except US*): BRASILIA SPA [IT/IT]; Strada Provinciale Bresana-Salice, I-27050 Retorbido (IT). (88) Date of publication of the international search report:
25 January 2001
- (72) Inventor; and (75) Inventor/Applicant (*for US only*): ROSSI, Giampiero
- For two-letter codes and other abbreviations, refer to the "Guidance Notes on Codes and Abbreviations" appearing at the beginning of each regular issue of the PCT Gazette.*

(54) Title: MACHINE FOR THE PRODUCTION OF ESPRESSO COFFEE IN VERY LARGE QUANTITIES



(57) Abstract: Machine for the production of espresso coffee in very large quantities, performing extraction of said coffee from a large mass, or batch, of roasted and ground coffee introduced into a properly extraction set (40) and comprising a cylinder or bucket (36) suitable for housing the batch (108) of roasted coffee powder and co-operating with a piston (38) intended to compress the batch (108) of coffee powder, which piston (38) is provided with a perforated plate filter (110) communicating with means (106) for supplying hot water so to allow the introduction of hot water, and consequent extraction of espresso coffee infusion from the compressed batch (108), which cylinder (36) can be fixed in three different positions which allow loading of a measure (42) constituting the batch (108) of coffee powder, extraction of coffee from the batch (108) of powder and its collection in an appropriate receptacle (112) and, finally, ejection of the coffee batch as an exhausted cake (82), substantially dry, into a collection receptacle (116).

WO 00/51479 A3

INTERNATIONAL SEARCH REPORT

International Application No

PCT/EP 00/01643

A. CLASSIFICATION OF SUBJECT MATTER
 IPC 7 A47J31/40 A47J31/54

According to International Patent Classification (IPC) or to both national classification and IPC

B. FIELDS SEARCHED

Minimum documentation searched (classification system followed by classification symbols)
 IPC 7 A47J

Documentation searched other than minimum documentation to the extent that such documents are included in the fields searched

Electronic data base consulted during the international search (name of data base and, where practical, search terms used)

EPO-Internal

C. DOCUMENTS CONSIDERED TO BE RELEVANT

Category °	Citation of document, with indication, where appropriate, of the relevant passages	Relevant to claim No.
X	EP 0 407 365 A (M. VALLECCHI, M. VALLECCHI, C. LIBERATI) 9 January 1991 (1991-01-09)	1
Y	column 2, line 14 -column 3, line 43; figures 1-5	2,3
A	---	4,5,9
Y	EP 0 486 434 A (JURA ELEKTROAPPARATE AG) 20 May 1992 (1992-05-20) page 1, line 40 - line 56; figure 1	2
A	US 5 715 741 A (R. GASSER, E. STUMMVOLL) 10 February 1998 (1998-02-10) column 6, line 51 - line 67; figure 3 --- -/--	2

Further documents are listed in the continuation of box C.

Patent family members are listed in annex.

° Special categories of cited documents :

- "A" document defining the general state of the art which is not considered to be of particular relevance
- "E" earlier document but published on or after the international filing date
- "L" document which may throw doubts on priority claim(s) or which is cited to establish the publication date of another citation or other special reason (as specified)
- "O" document referring to an oral disclosure, use, exhibition or other means
- "P" document published prior to the international filing date but later than the priority date claimed

- "T" later document published after the international filing date or priority date and not in conflict with the application but cited to understand the principle or theory underlying the invention
- "X" document of particular relevance; the claimed invention cannot be considered novel or cannot be considered to involve an inventive step when the document is taken alone
- "Y" document of particular relevance; the claimed invention cannot be considered to involve an inventive step when the document is combined with one or more other such documents, such combination being obvious to a person skilled in the art.
- "&" document member of the same patent family

Date of the actual completion of the international search

27 September 2000

Date of mailing of the international search report

05/10/2000

Name and mailing address of the ISA

European Patent Office, P.B. 5818 Patentlaan 2
 NL - 2280 HV Rijswijk
 Tel. (+31-70) 340-2040, Tx. 31 651 epo nl,
 Fax: (+31-70) 340-3016

Authorized officer

Schmitt, J

INTERNATIONAL SEARCH REPORT

International Application No

PCT/EP 00/01643

C.(Continuation) DOCUMENTS CONSIDERED TO BE RELEVANT		
Category	Citation of document, with indication, where appropriate, of the relevant passages	Relevant to claim No.
Y	DE 196 47 385 C (SPENGLER GETRÄNKEMASCHINEN GMBH) 13 August 1998 (1998-08-13) column 2, line 47 - line 53; figures 1-5 ---	3
A	US 2 868 109 A (J.F. DAVIS) 13 January 1959 (1959-01-13) column 1, line 48 -column 2, line 16 column 3, line 41 -column 4, line 10; figure 1 ---	1,7,9,10
A	DE 41 03 820 A (E. HELBLING) 24 October 1991 (1991-10-24) abstract; figures 6,7,10 ---	1,9,11
A	EP 0 325 678 A (BREVETTI GAGGIA SPA) 2 August 1989 (1989-08-02) abstract; figure -----	6,7

INTERNATIONAL SEARCH REPORT

Information on patent family members

International Application No

PCT/EP 00/01643

Patent document cited in search report	Publication date	Patent family member(s)	Publication date
EP 407365 A	09-01-1991	IT 1233288 B	26-03-1992
		CA 2020664 A	08-01-1991
EP 486434 A	20-05-1992	AT 121603 T	15-05-1995
		DE 59105318 D	01-06-1995
US 5715741 A	10-02-1998	DE 9403615 U	06-07-1995
		DE 4425494 A	07-09-1995
		CA 2184599 A	08-09-1995
		DE 59503699 D	29-10-1998
		WO 9523543 A	08-09-1995
		EP 0742691 A	20-11-1996
DE 19647385 C	13-08-1998	NONE	
US 2868109 A	13-01-1959	NONE	
DE 4103820 A	24-10-1991	US 5080008 A	14-01-1992
		US 5094153 A	10-03-1992
		CA 2038343 A	24-10-1991
		GB 2243284 A, B	30-10-1991
		IT 1246602 B	24-11-1994
		JP 4227213 A	17-08-1992
EP 325678 A	02-08-1989	IT 1211178 B	06-10-1989
		AU 1563888 A	27-07-1989
		BR 8804308 A	10-04-1990
		CN 1034483 A	09-08-1989
		DD 275615 A	31-01-1990
		DE 325678 T	28-12-1989
		DK 400588 A	26-07-1989
		FI 882286 A	26-07-1989
		GR 89300162 T	11-05-1990
		HU 49692 A	30-10-1989
		JP 1192317 A	02-08-1989
		MC 1942 A	19-05-1989
		NO 881923 A	26-07-1989
		OA 8856 A	31-03-1989
		PL 272835 A	07-08-1989
		PT 87601 A	04-10-1989
		YU 116488 A	31-10-1990
ZA 8803299 A	14-11-1988		