



US00D676112S

(12) **United States Design Patent**
Wu

(10) **Patent No.:** **US D676,112 S**

(45) **Date of Patent:** **** Feb. 12, 2013**

(54) **FAUCET**

Primary Examiner — Robert Delehanty

(76) Inventor: **Cheng-Hsuan Wu**, Lugang Township,
Changhua County (TW)

(74) *Attorney, Agent, or Firm* — Alan Kamrath; Kamrath IP
Lawfirm, P.A.

(**) Term: **14 Years**

(57) **CLAIM**

(21) Appl. No.: **29/393,381**

The ornamental design for a faucet, as shown and described.

(22) Filed: **Jun. 3, 2011**

(51) **LOC (9) Cl.** **23-01**

(52) **U.S. Cl.** **D23/238**

(58) **Field of Classification Search** D23/238–23,
D23/241–243, 250, 252, 255, 257; 4/675–678;
137/801

See application file for complete search history.

DESCRIPTION

FIG. 1 is a perspective view of a faucet showing my design;
FIG. 2 is a front elevational view thereof;
FIG. 3 is a rear elevational view thereof;
FIG. 4 is a left side elevational view thereof;
FIG. 5 is a right side elevational view thereof;
FIG. 6 is a top plan view thereof;
FIG. 7 is a bottom plan view thereof;
FIG. 8 is another perspective view of an embodiment thereof;
and,
FIG. 9 is another perspective view of another embodiment
thereof.
The broken lines shown in the drawings are for illustrative
purposes only and form no part of the claimed design.

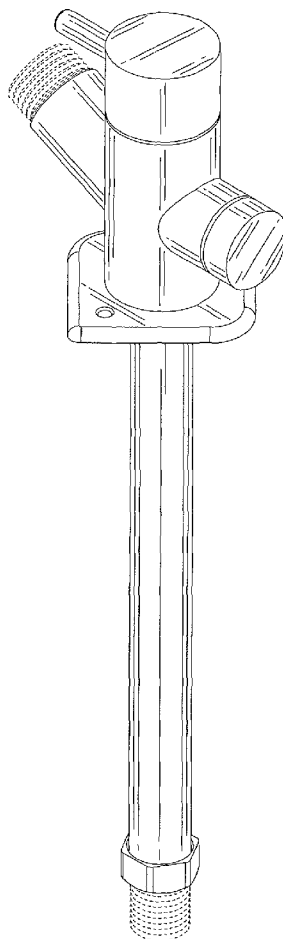
(56) **References Cited**

U.S. PATENT DOCUMENTS

D479,579	S	*	9/2003	Haug et al.	D23/238
D576,707	S	*	9/2008	Schönherr et al.	D23/238
D581,026	S	*	11/2008	Citterio	D23/255
D612,458	S	*	3/2010	Allard	D23/255
D658,744	S	*	5/2012	Starck	D23/238
D665,052	S	*	8/2012	Wang	D23/238

* cited by examiner

1 Claim, 7 Drawing Sheets



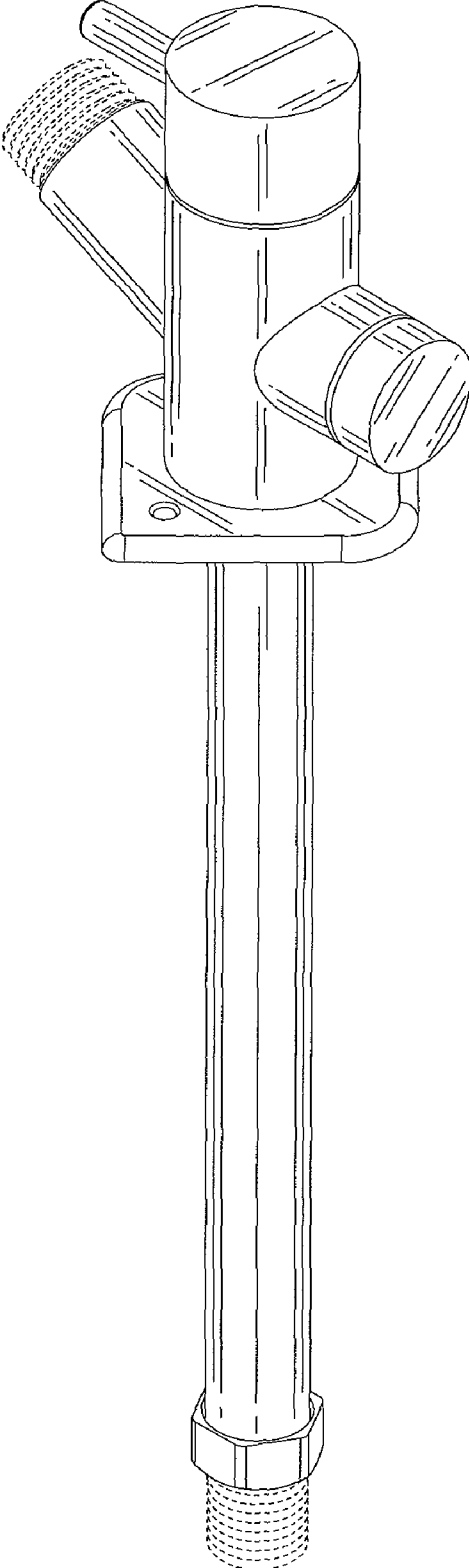


FIG. 1

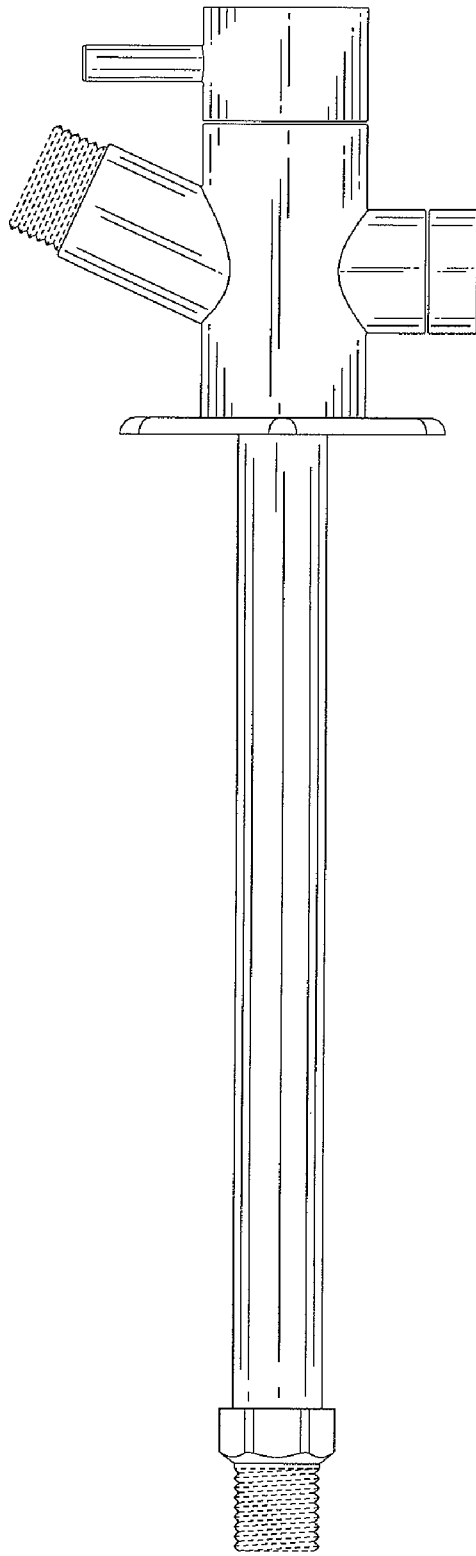


FIG. 2

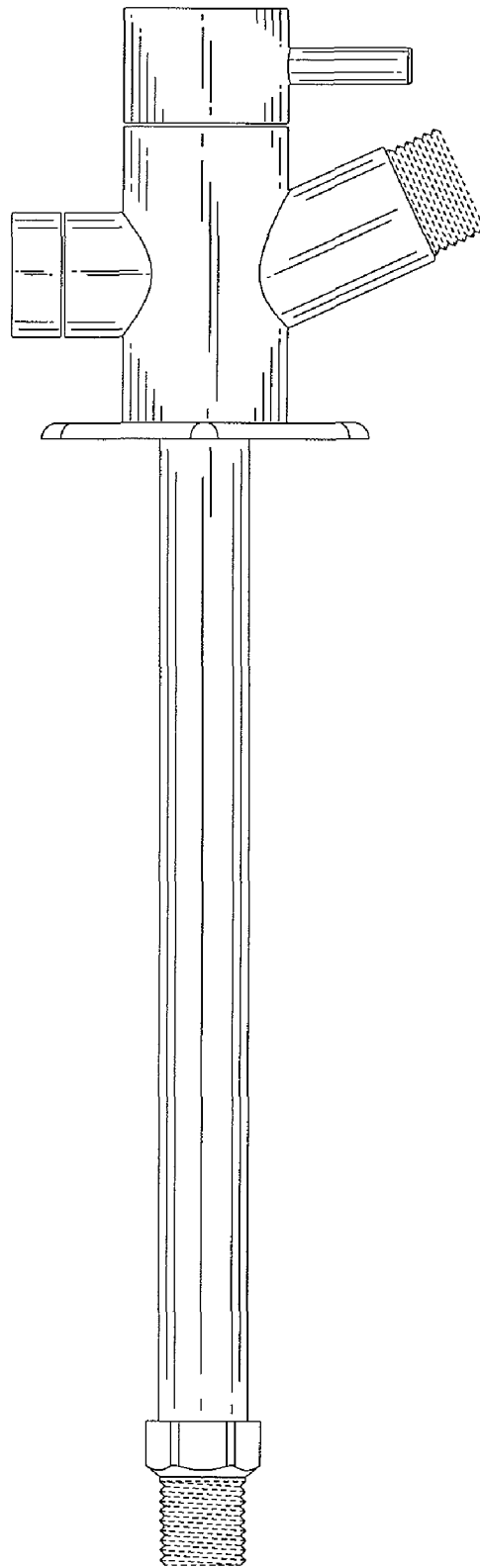


FIG. 3

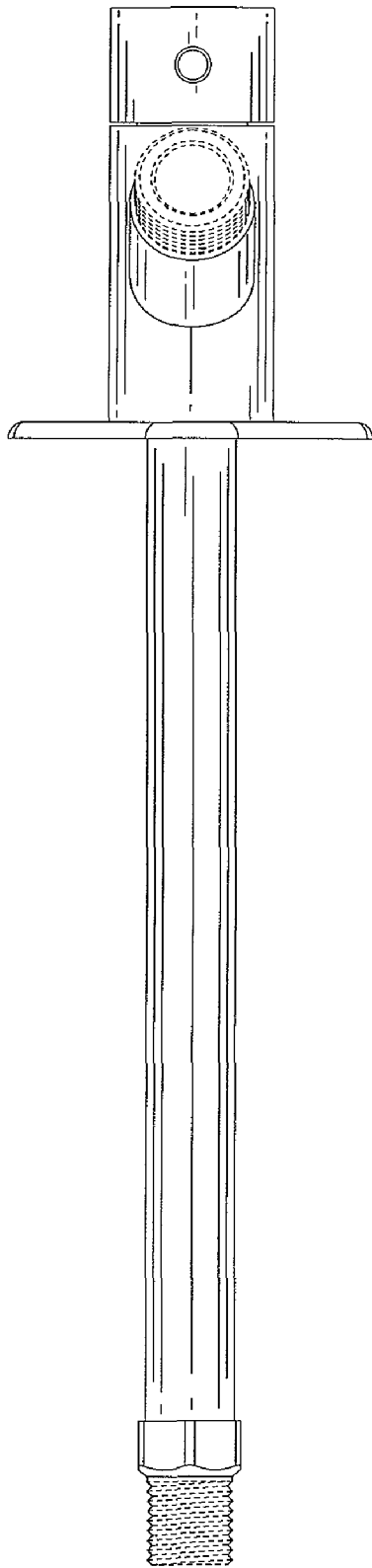


FIG. 4

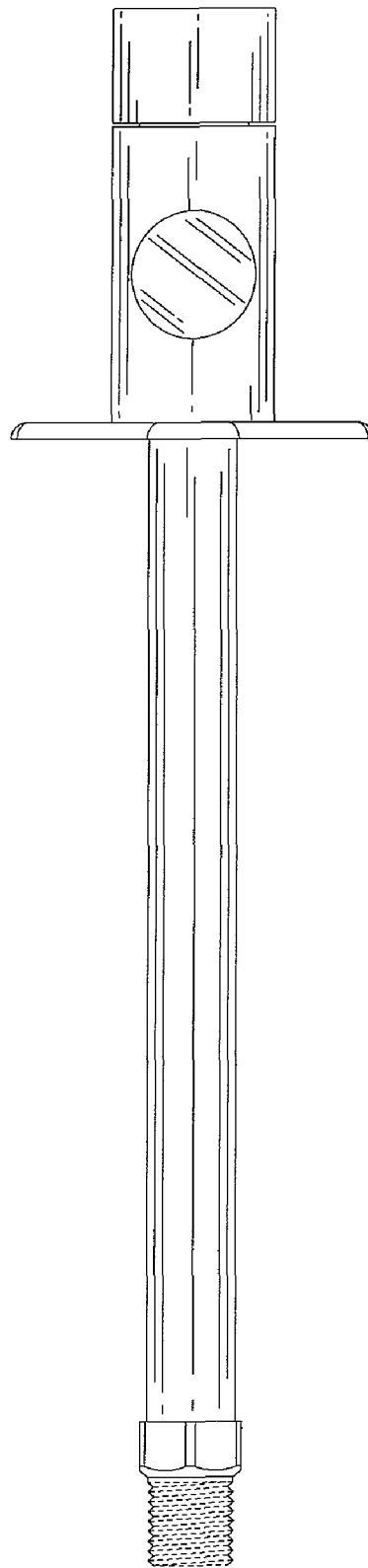


FIG. 5

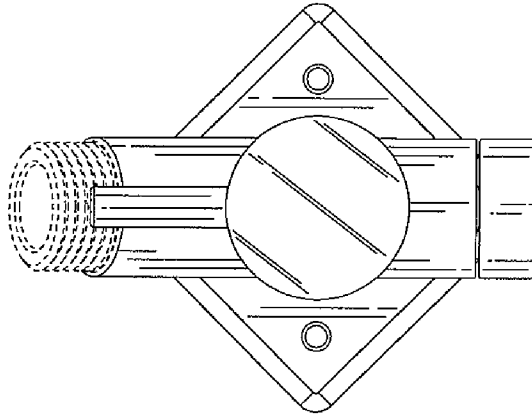


FIG. 6

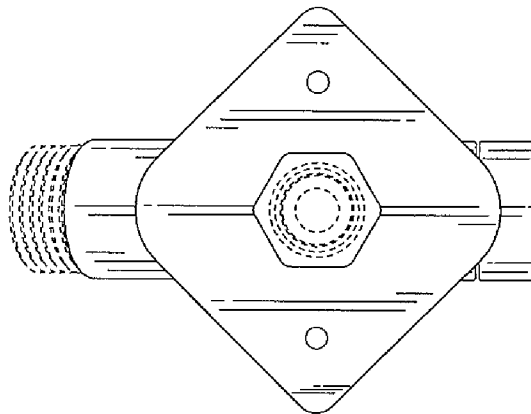


FIG. 7

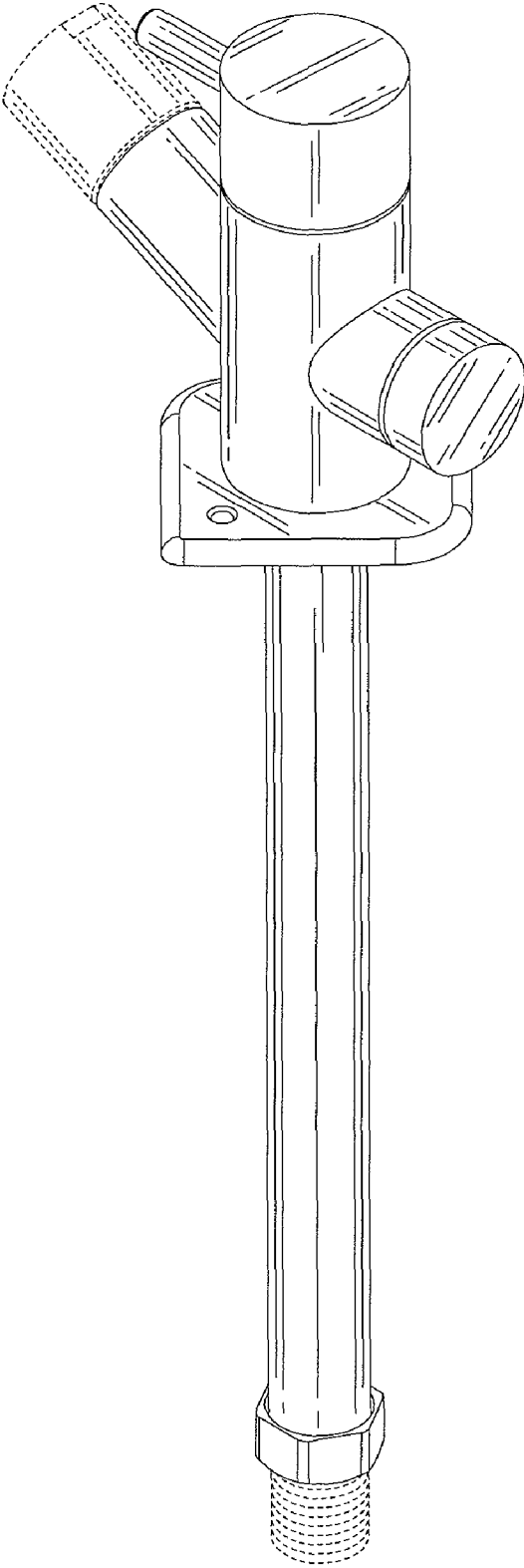


FIG. 8

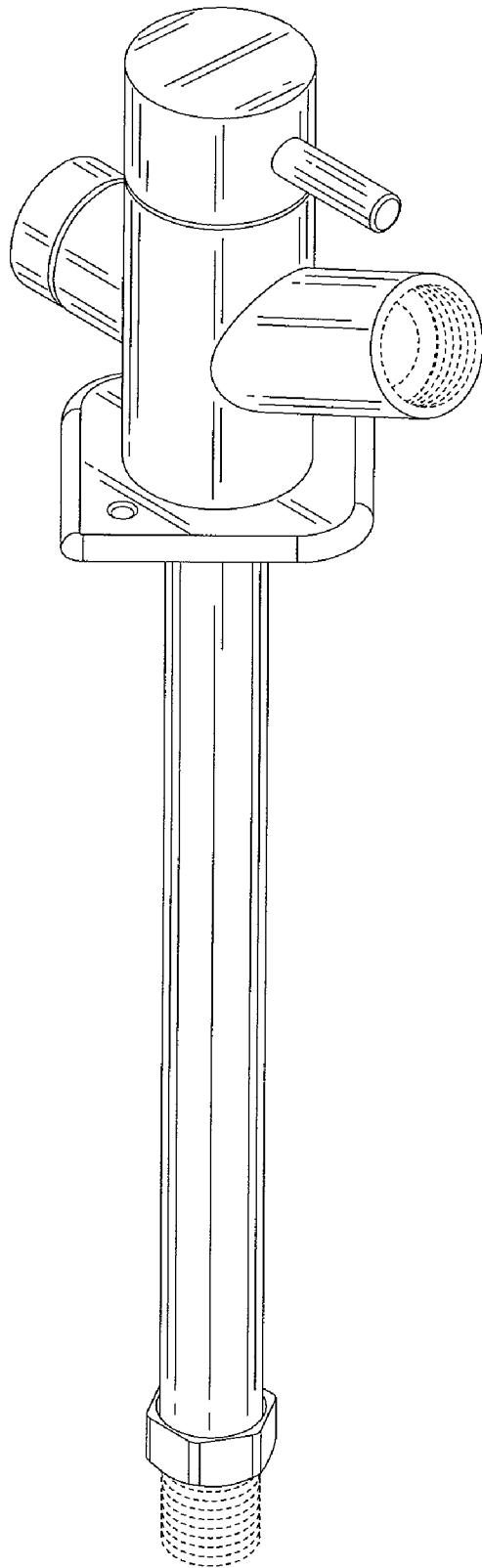


FIG. 9