

(19) World Intellectual Property  
Organization  
International Bureau



(43) International Publication Date  
28 July 2005 (28.07.2005)

PCT

(10) International Publication Number  
WO 2005/067445 A3

(51) International Patent Classification<sup>7</sup>: G01R 31/26

(21) International Application Number:  
PCT/US2004/030276

(22) International Filing Date:  
14 September 2004 (14.09.2004)

(25) Filing Language: English

(26) Publication Language: English

(30) Priority Data:  
60/532,757 24 December 2003 (24.12.2003) US  
10/927,247 26 August 2004 (26.08.2004) US

(71) Applicant (for all designated States except US): CAS-  
CADE MICROTECH, INC. [US/US]; 2430 N.W. 206th  
Avenue, Beaverton, OR 97006 (US).

(72) Inventors; and

(75) Inventors/Applicants (for US only): ANDREWS, Peter  
[US/US]; 8172 S.W. 171st Place, Beaverton, OR 97007  
(US). FROEMKE, Brad [US/US]; 6529 S.E. 128th, Port-  
land, OR 97236 (US). DUNKLEE, John [US/US]; 10440  
S.W. View Terrace, Tigard, OR 97224 (US).

(74) Agents: RUSSELL, Kevin, L. et al.; Chernoff, Vilhauer,  
McClung & Stenzel, LLP, 1600 Ods Tower, 601 S.W. Sec-  
ond Avenue, Portland, OR 97204-3157 (US).

(81) Designated States (unless otherwise indicated, for every  
kind of national protection available): AE, AG, AL, AM,

AT, AU, AZ, BA, BB, BG, BR, BW, BY, BZ, CA, CH, CN,  
CO, CR, CU, CZ, DE, DK, DM, DZ, EC, EE, EG, ES, FI,  
GB, GD, GE, GH, GM, HR, HU, ID, IL, IN, IS, JP, KE,  
KG, KP, KR, KZ, LC, LK, LR, LS, LT, LU, LV, MA, MD,  
MG, MK, MN, MW, MX, MZ, NA, NI, NO, NZ, OM, PG,  
PH, PL, PT, RO, RU, SC, SD, SE, SG, SK, SL, SY, TJ, TM,  
TN, TR, TT, TZ, UA, UG, US, UZ, VC, VN, YU, ZA, ZM,  
ZW.

(84) Designated States (unless otherwise indicated, for every  
kind of regional protection available): ARIPO (BW, GH,  
GM, KE, LS, MW, MZ, NA, SD, SL, SZ, TZ, UG, ZM,  
ZW), Eurasian (AM, AZ, BY, KG, KZ, MD, RU, TJ, TM),  
European (AT, BE, BG, CH, CY, CZ, DE, DK, EE, ES, FI,  
FR, GB, GR, HU, IE, IT, LU, MC, NL, PL, PT, RO, SE, SI,  
SK, TR), OAPI (BF, BJ, CF, CG, CI, CM, GA, GN, GQ,  
GW, ML, MR, NE, SN, TD, TG).

**Declaration under Rule 4.17:**

— of inventorship (Rule 4.17(iv)) for US only

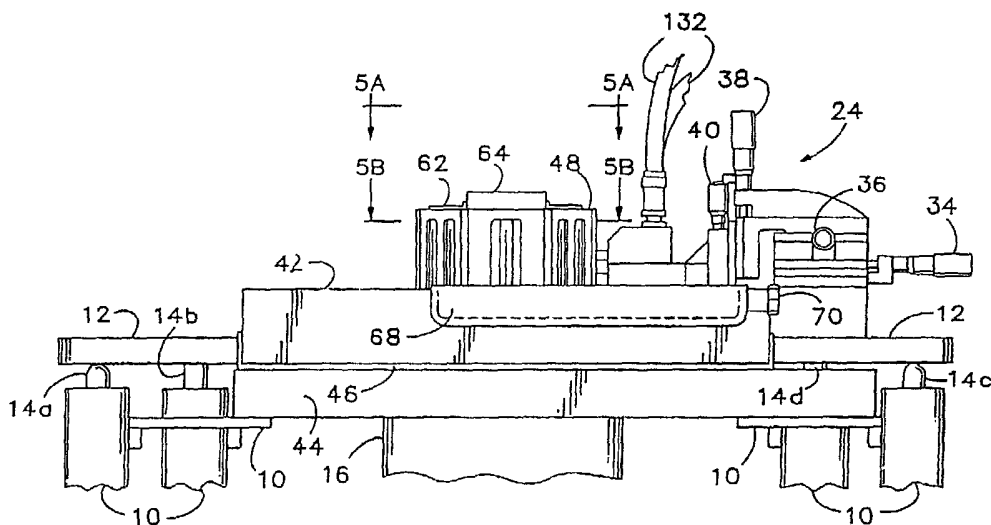
**Published:**

— with international search report  
— before the expiration of the time limit for amending the  
claims and to be republished in the event of receipt of  
amendments

(88) Date of publication of the international search report:  
6 October 2005

For two-letter codes and other abbreviations, refer to the "Guid-  
ance Notes on Codes and Abbreviations" appearing at the begin-  
ning of each regular issue of the PCT Gazette.

(54) Title: CHUCK WITH INTEGRATED WAFER SUPPORT



(57) Abstract: An improved chuck with lift pins within a probe station.

WO 2005/067445 A3

**INTERNATIONAL SEARCH REPORT**

International application No.

PCT/US04/30276

**A. CLASSIFICATION OF SUBJECT MATTER**  
 IPC(7) : G01R 31/26  
 US CL : 324/760  
 According to International Patent Classification (IPC) or to both national classification and IPC

**B. FIELDS SEARCHED**  
 Minimum documentation searched (classification system followed by classification symbols)  
 U.S. : 324/760, 761, 762, 765, 754, 758, 72.5, 73.1, 158.1

Documentation searched other than minimum documentation to the extent that such documents are included in the fields searched  
 NONE

Electronic data base consulted during the international search (name of data base and, where practicable, search terms used)  
 Please See Continuation Sheet

**C. DOCUMENTS CONSIDERED TO BE RELEVANT**

Category *	Citation of document, with indication, where appropriate, of the relevant passages	Relevant to claim No.
X	US 5,345,170 A (SCHWINDT et al) 06 September 1994 (06.09.1994), Figure 3; abstract.	1, 2, 5-8, 10-19
---		-----
Y		3, 4
Y	US 6,445,202 B1 (COWAN et al) 03 September 2002 (03.09.2003), Figure 1; column 1, lines 32-54.	3, 4
A	US 6,642,732 B2 (COWAN et al) 04 November 2003 (04.11.2003), see entire document.	1-19
A,P	US 6,777,964 B2 (NAVRATIL et al) 17 August 2004 (17.08.2004), see entire document.	1-19
A,E	US 6,801,047 B2 (HARWOOD et al) 05 October 2004 (05.10.2004), see entire document.	1-19
A	US 6,636,059 B2 (HARWOOD et al) 21 October 2003 (21.10.2003), see entire document.	1-19
A	US 6,486,687 B2 (HARWOOD et al) 26 November 2002 (26.11.2002), see entire document.	1-19
A	US 6,313,649 B2 (HARWOOD et al) 06 November 2001 (06.11.2001), see entire document.	1-19

Further documents are listed in the continuation of Box C.  See patent family annex.

* Special categories of cited documents:	"T"	later document published after the international filing date or priority date and not in conflict with the application but cited to understand the principle or theory underlying the invention
"A" document defining the general state of the art which is not considered to be of particular relevance	"X"	document of particular relevance; the claimed invention cannot be considered novel or cannot be considered to involve an inventive step when the document is taken alone
"E" earlier application or patent published on or after the international filing date	"Y"	document of particular relevance; the claimed invention cannot be considered to involve an inventive step when the document is combined with one or more other such documents, such combination being obvious to a person skilled in the art
"L" document which may throw doubts on priority claim(s) or which is cited to establish the publication date of another citation or other special reason (as specified)	"&"	document member of the same patent family
"O" document referring to an oral disclosure, use, exhibition or other means		
"P" document published prior to the international filing date but later than the priority date claimed		

Date of the actual completion of the international search  
 22 July 2005 (22.07.2005)

Date of mailing of the international search report  
 04 AUG 2005

Name and mailing address of the ISA/US  
 Mail Stop PCT, Attn: ISA/US  
 Commissioner for Patents  
 P.O. Box 1450  
 Alexandria, Virginia 22313-1450  
 Facsimile No. (703) 305-3230

Authorized officer  
 JOSE G. DEES  
 Telephone No. (571) 272-1607

*Jose G. Dees*

INTERNATIONAL SEARCH REPORT

International application No.  
PCT/US04/30276

C. (Continuation) DOCUMENTS CONSIDERED TO BE RELEVANT

Category *	Citation of document, with indication, where appropriate, of the relevant passages	Relevant to claim No.
A	US 5,604,444 A (HARWOOD et al) 18 February 1997 (18.02.1997), see entire document.	1-19
A	US 5,532,609 A (HARWOOD et al) 02 July 1996 (02.07.1996), see entire document.	1-19
A,P	US 6,720,782 B2 (SCHWINDT et al) 13 April 2004 (13.04.2004), see entire document.	1-19
A	US 6,492,822 B2 (SCHWINDT et al) 10 December 2002 (10.12.2002), see entire document.	1-19
A	US 6,335,628 B2 (SCHWINDT et al) 01 January 2002 (01.01.2002), see entire document.	1-19
A	US 6,232,788 B1 (SCHWINDT et al) 15 May 2001 (15.05.2001), see entire document.	1-19
A	US 5,663,653 A (SCHWINDT et al) 02 September 1997 (02.09.1997), see entire document.	1-19
A	US 5,457,398 A (SCHWINDT et al) 10 October 1995 (10.10.1995), see entire document.	1-19
A	US 5,434,512 A (SCHWINDT et al) 18 January 1995 (18.01.1995), see entire document.	1-19

# INTERNATIONAL SEARCH REPORT

International application No.  
PCT/US04/30276

Continuation of B. FIELDS SEARCHED Item 3:

WEST: PGPB; USPT; USOC; EPAB; JPAB; DWPI; TDBD

search terms: probe station and chuck assembly and chamber; probe station and chuck assembly; probe station and dunklee.inv.; probe station and froemke.inv.; probe station and andrews.inv.; probe station and hollington