



US00D621172S

(12) **United States Design Patent**
Rivera, Jr. et al.

(10) **Patent No.:** **US D621,172 S**
(45) **Date of Patent:** **** Aug. 10, 2010**

(54) **TABLE**

(76) Inventors: **Jeremias C. Rivera, Jr.**, 668 Mary Ct.,
Elmhurst, IL (US) 60126; **Doss Samikkannu**, 950 Carlow Dr., Des
Plaines, IL (US) 60016; **Gregory Hanusiak**, 7448 N. Osceola Ave.,
Chicago, IL (US) 60631

D448,938 S 10/2001 Ng et al.
D456,155 S * 4/2002 DeVriendt D6/337
6,386,628 B2 * 5/2002 Bue 297/158.3
D478,732 S * 8/2003 Pajerski et al. D6/337
D479,406 S 9/2003 Pajerski et al.
D479,773 S * 9/2003 Pajerski et al. D6/337

(**) Term: **14 Years**

(21) Appl. No.: **29/314,943**

(22) Filed: **May 11, 2009**

(51) **LOC (9) Cl.** **06-01**
(52) **U.S. Cl.** **D6/338**
(58) **Field of Classification Search** D6/330,
D6/335-338, 340, 349-355, 358, 359, 364,
D6/366, 376, 491, 495, 500-502; 297/16.1,
297/39, 46, 135, 140, 156, 158.3, 158.4,
297/175, 177, 187, 195.1, 195.11, 211, 245,
297/423.1, 445.1, 461, 462

See application file for complete search history.

(56) **References Cited**

U.S. PATENT DOCUMENTS

D194,038 S * 11/1962 Preston D6/337
3,075,809 A * 1/1963 Wilson 297/158.4
3,099,481 A * 7/1963 Bue 297/158.4
3,109,678 A * 11/1963 Wilson 297/158.4
3,266,840 A * 8/1966 D'Estrube 297/158.3
D211,886 S * 8/1968 Benjamin D6/337
3,411,823 A * 11/1968 Bue 297/344.21
3,715,143 A * 2/1973 Gerken et al. 297/158.4
D244,409 S * 5/1977 Arnold D6/337
D250,151 S * 11/1978 Pingel D6/337
4,216,993 A * 8/1980 Shumaker 297/158.3
D256,633 S * 9/1980 Shumaker D6/337
D268,971 S * 5/1983 Reineman D6/337
D413,734 S * 9/1999 Bue D6/337
6,065,802 A * 5/2000 Bue 297/158.4
D439,060 S 3/2001 Larsen
6,254,178 B1 * 7/2001 Bue 297/159.1

(Continued)

Primary Examiner—Sandra Snapp
(74) *Attorney, Agent, or Firm*—Ryndak & Suri LLP

(57) **CLAIM**

The ornamental design for a table, as shown and described.

DESCRIPTION

FIG. 1 is a top right perspective view of a table depicting the new design;

FIG. 2 is a top plan view of the table depicted in FIG. 1;

FIG. 3 is a front elevational view of the table depicted in FIG. 1;

FIG. 4 is a rear elevational view of the table depicted in FIG. 1;

FIG. 5 is a bottom plan view of the table depicted in FIG. 1;

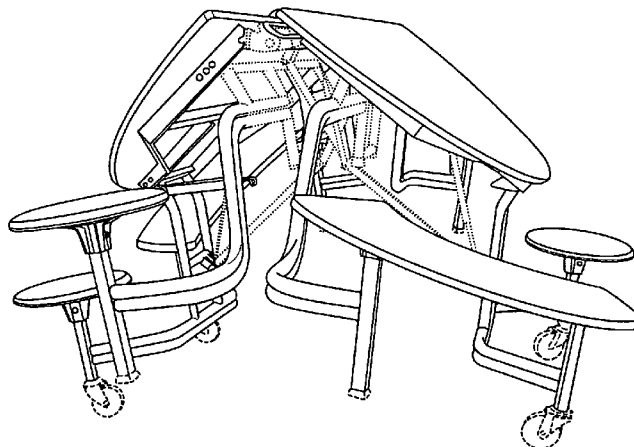
FIG. 6 is a left side elevational view of the table depicted in FIG. 1;

FIG. 7 is a right side elevational view of the table depicted in FIG. 1; and,

FIG. 8 is an offset left side perspective view of a partially folded configuration of the table depicted in FIG. 1.

The broken lines showing in the drawings are for illustrative purposes only and form no part of the claimed design.

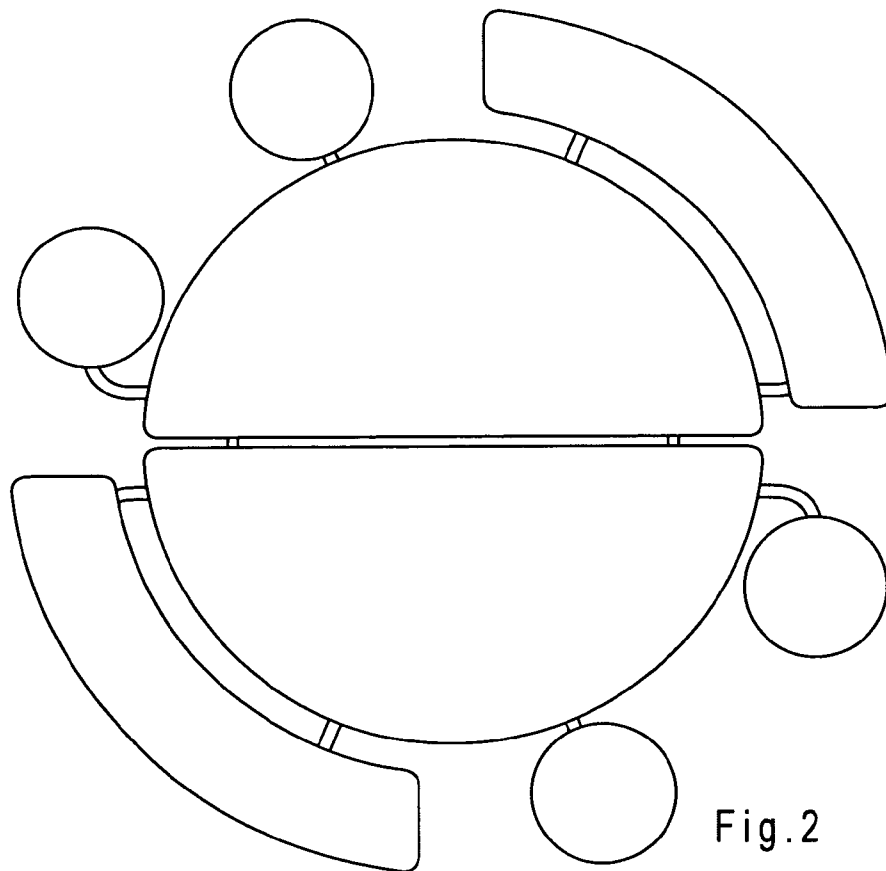
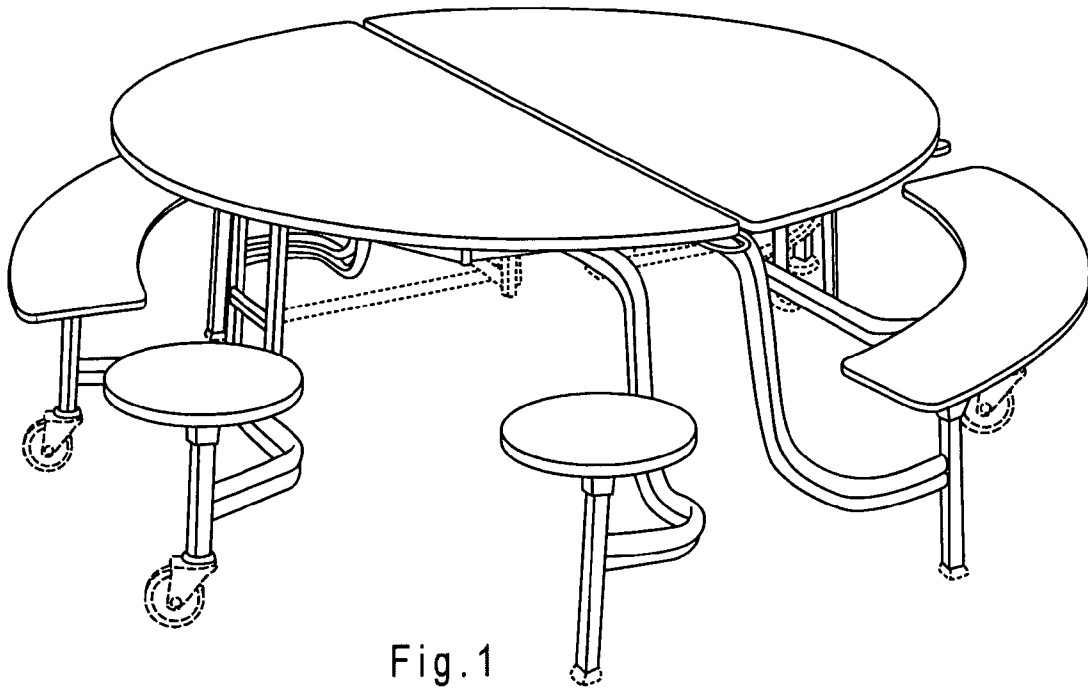
1 Claim, 4 Drawing Sheets



US D621,172 S

Page 2

U.S. PATENT DOCUMENTS				7,393,049 B2 *	7/2008	Chase	297/134
D514,830 S *	2/2006	Bue	D6/337	7,611,193 B2 *	11/2009	Bue et al.	297/141
D573,360 S *	7/2008	Bue et al.	D6/337	* cited by examiner			



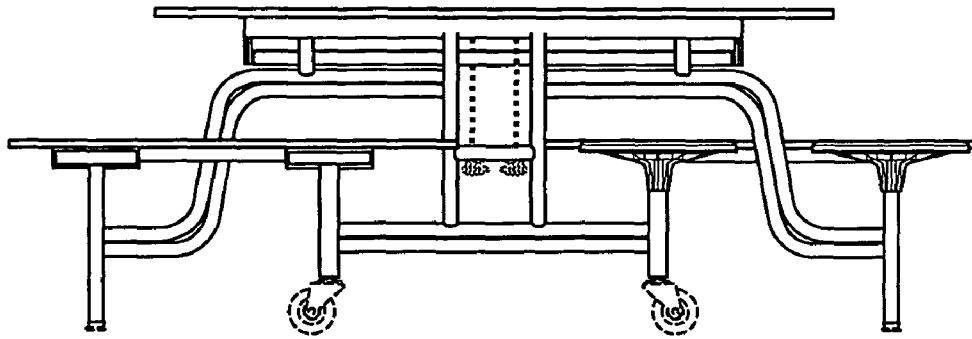


Fig. 3

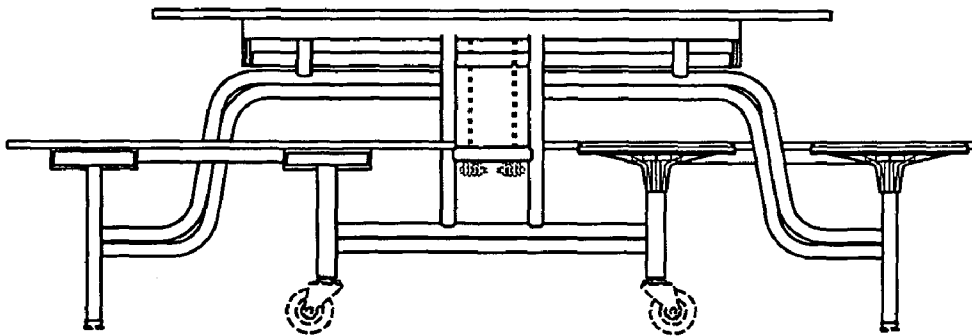


Fig. 4

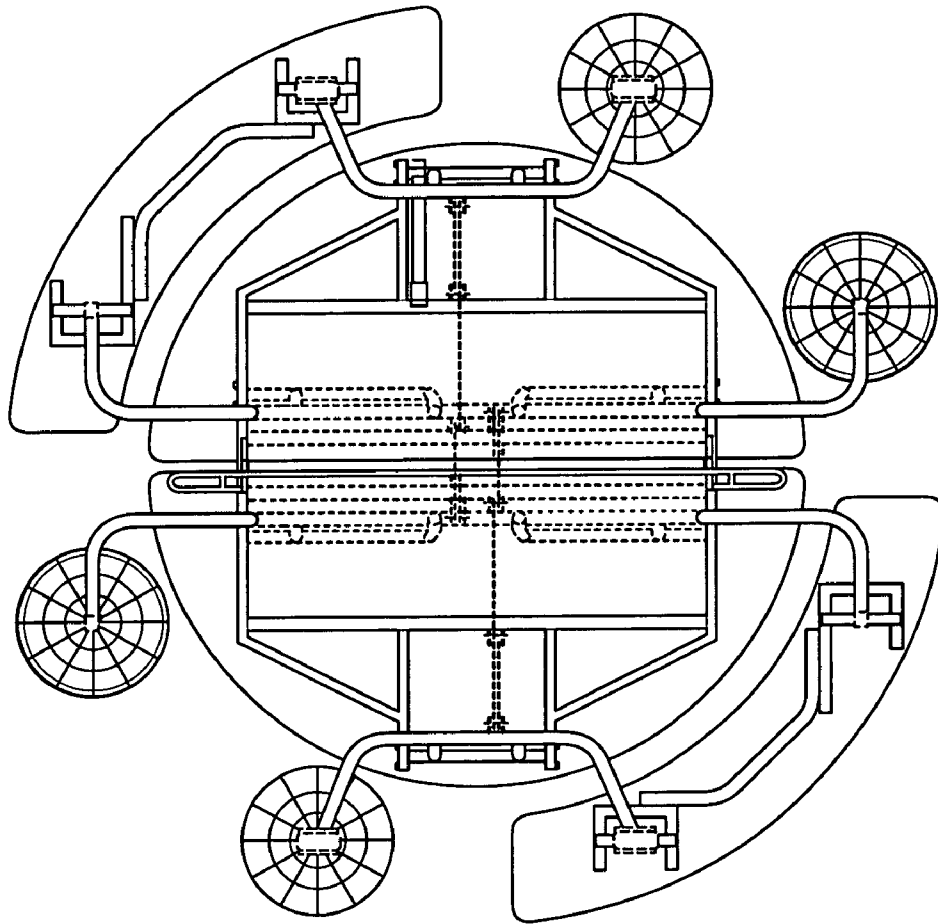


Fig. 5

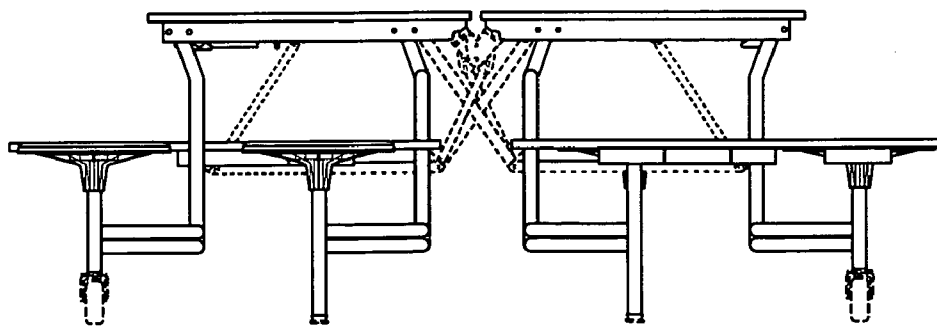


Fig. 6

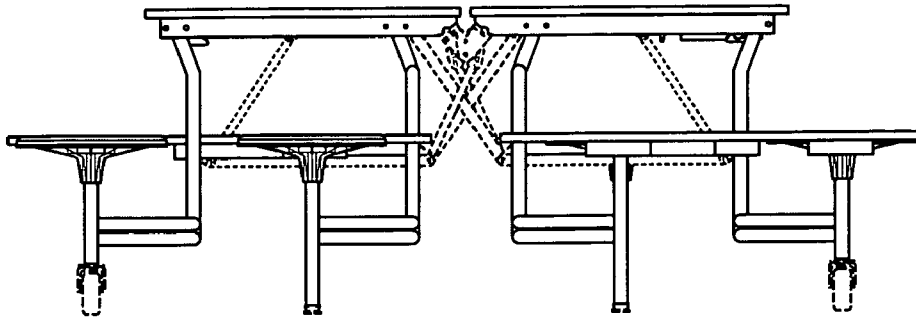


Fig. 7

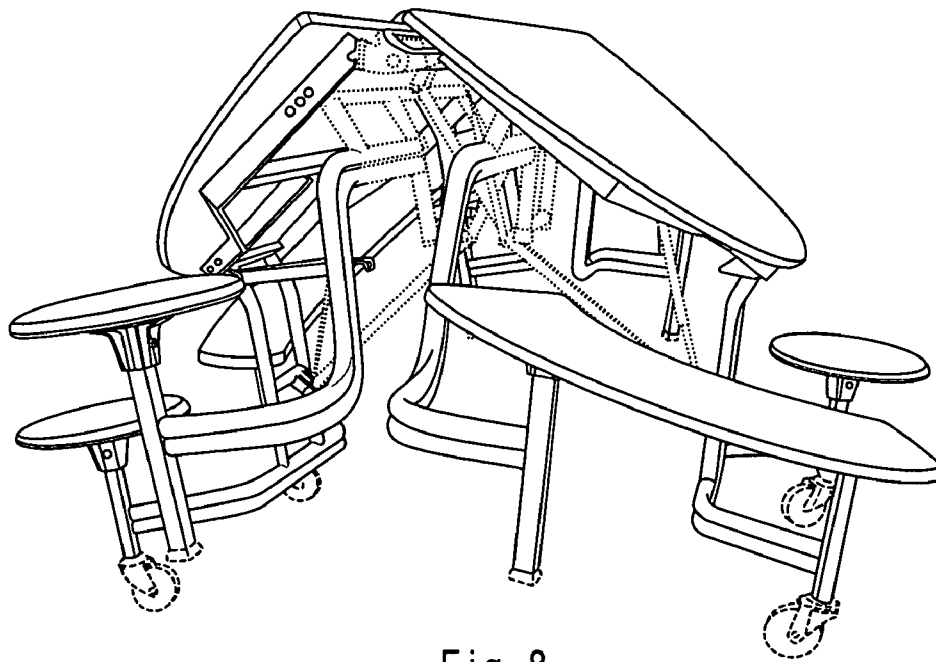


Fig. 8