



US0D1024893S

(12) **United States Design Patent**
Scenna

(10) **Patent No.:** **US D1,024,893 S**

(45) **Date of Patent:** **** Apr. 30, 2024**

(54) **VEHICLE WHEEL**

(71) Applicant: **GM GLOBAL TECHNOLOGY OPERATIONS LLC**, Detroit, MI (US)

(72) Inventor: **Adam K. Scenna**, Royal Oak, MI (US)

(73) Assignee: **GM GLOBAL TECHNOLOGY OPERATIONS LLC**, Detroit, MI (US)

(**) Term: **15 Years**

(21) Appl. No.: **29/831,814**

(22) Filed: **Mar. 23, 2022**

(51) **LOC (14) Cl.** **12-16**

(52) **U.S. Cl.**
USPC **D12/211**

(58) **Field of Classification Search**

USPC D12/204-213, 501; D21/563, 779
CPC B60B 7/00; B60B 7/01; B60B 7/02; B60B 7/04; B60B 7/06; B60B 3/02; B60B 3/04; B60B 3/06; B60B 3/10; B60B 1/00; B60B 1/08; B60B 1/10; B60B 1/12

See application file for complete search history.

(56) **References Cited**

U.S. PATENT DOCUMENTS

D258,503 S 3/1981 Schinella
D258,504 S 3/1981 Schinella
D258,732 S 3/1981 Schinella
D259,484 S 6/1981 Welburn
D267,402 S 12/1982 Schinella
D267,562 S 1/1983 Palmer et al.
D267,564 S 1/1983 Wright
D268,105 S 3/1983 Schinella
D271,012 S 10/1983 Palmer et al.
D272,897 S 3/1984 Chapman
D273,781 S 5/1984 Chapman
D275,192 S 8/1984 Schinella

D275,193 S 8/1984 Schinella
D277,661 S 2/1985 Cafaro et al.
D281,491 S 11/1985 Schinella
D282,159 S 1/1986 Schell et al.
D285,675 S 9/1986 Chandler
D285,676 S 9/1986 Clark
D285,677 S 9/1986 Menking
D285,786 S 9/1986 Munson
D291,879 S 9/1987 Boyle et al.
D292,389 S 10/1987 Boyle et al.
D292,390 S 10/1987 Ruzzin
D292,568 S 11/1987 Cafarol et al.
D292,569 S 11/1987 Cafarol et al.
D292,572 S 11/1987 Schell et al.
D292,574 S 11/1987 Cafaro et al.
D292,906 S 11/1987 Menking et al.
D292,907 S 11/1987 Cafaro et al.
D294,342 S 2/1988 Chapman
D298,528 S 11/1988 Burke et al.
D300,422 S 3/1989 Schinella
D301,865 S 6/1989 McIntosh
D301,866 S 6/1989 Chapman et al.
D302,004 S 7/1989 Chapman et al.
D310,811 S 9/1990 North et al.
D310,989 S 10/1990 North et al.
D310,990 S 10/1990 Chandler
D316,844 S 5/1991 Peloquin et al.
D323,806 S 2/1992 Stewart
D336,742 S 6/1993 Stewart

(Continued)

Primary Examiner — Mark A Goodwin

Assistant Examiner — Adam C Mager

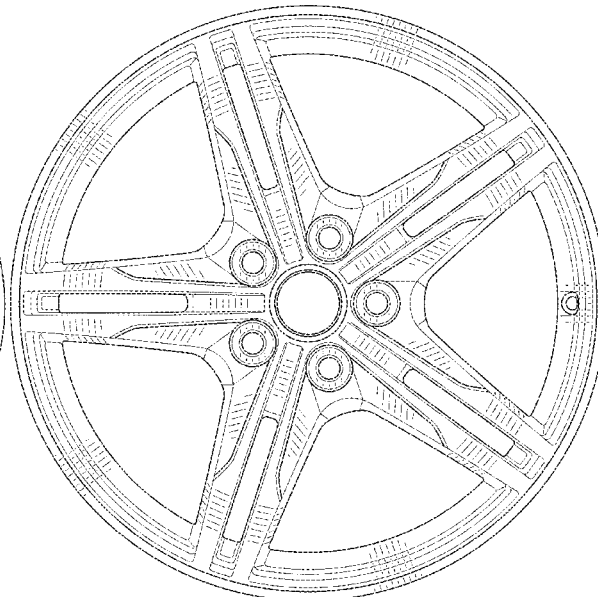
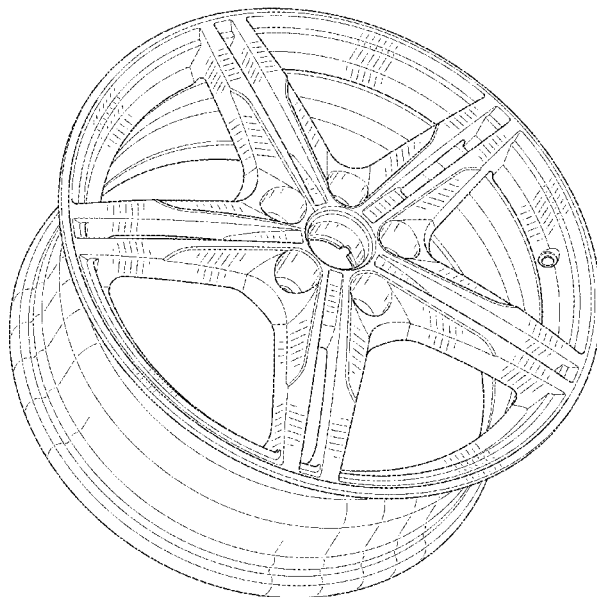
(57) **CLAIM**

The ornamental design for a vehicle wheel, as shown and described.

DESCRIPTION

FIG. 1 is a front and left side perspective view of a vehicle wheel showing my new design; and, FIG. 2 is a front elevation view thereof.

1 Claim, 2 Drawing Sheets



(56)

References Cited

U.S. PATENT DOCUMENTS

D345,127 S	3/1994	Stenglein et al.	
D544,823 S *	6/2007	Hieke	D12/211
D582,328 S *	12/2008	Hieke	D12/209
D582,330 S *	12/2008	Hieke	D12/209
D585,804 S *	2/2009	Pfeiffer	D12/209
D594,802 S	6/2009	Gustafsson	
D613,661 S	4/2010	Lee et al.	
D618,150 S *	6/2010	Hilpert	D12/209
D648,254 S	11/2011	Barry	
D649,923 S *	12/2011	Hans	D12/211
D655,658 S	3/2012	Noone et al.	
D656,078 S *	3/2012	Hans	D12/211
D656,877 S	4/2012	Ikeda et al.	
D664,081 S	7/2012	Muller	
D666,547 S *	9/2012	Hilpert	D12/211
D666,956 S *	9/2012	Hermann	D12/211
D669,408 S *	10/2012	Hans	D12/211
D670,634 S	11/2012	Pollmann	
D676,795 S *	2/2013	Wachter	D12/211
D684,516 S	6/2013	Bennion	
D700,565 S	3/2014	Gonzalez	
D735,102 S	7/2015	Swanseger	
D735,630 S	8/2015	Swanseger	
D746,210 S *	12/2015	Dilber	D12/211
D749,485 S *	2/2016	Gallert	D12/211
D755,104 S *	5/2016	Chu	D12/211
D758,277 S *	6/2016	Alfonso	D12/211
D775,049 S	12/2016	Scheer et al.	
D780,084 S	2/2017	Scheer et al.	
D789,865 S *	6/2017	Giolito	D12/211
D795,154 S *	8/2017	Hans	D12/211
D797,028 S *	9/2017	Chung	D12/211
D836,526 S	12/2018	Skelley	
D840,898 S *	2/2019	Wittinger	D12/209
D849,636 S *	5/2019	Hans	D12/209
D850,346 S *	6/2019	Hans	D12/209
D855,001 S *	7/2019	Hodges	D12/211
D938,879 S	12/2021	Skelley	
D938,880 S	12/2021	Skelley	
D939,419 S	12/2021	Skelley	
D960,069 S *	8/2022	Stevens	D12/211
D961,485 S *	8/2022	Hilpert	B60B 3/02 D12/211
D985,457 S *	5/2023	Hans	D12/211
D987,518 S *	5/2023	Hans	D12/211

* cited by examiner

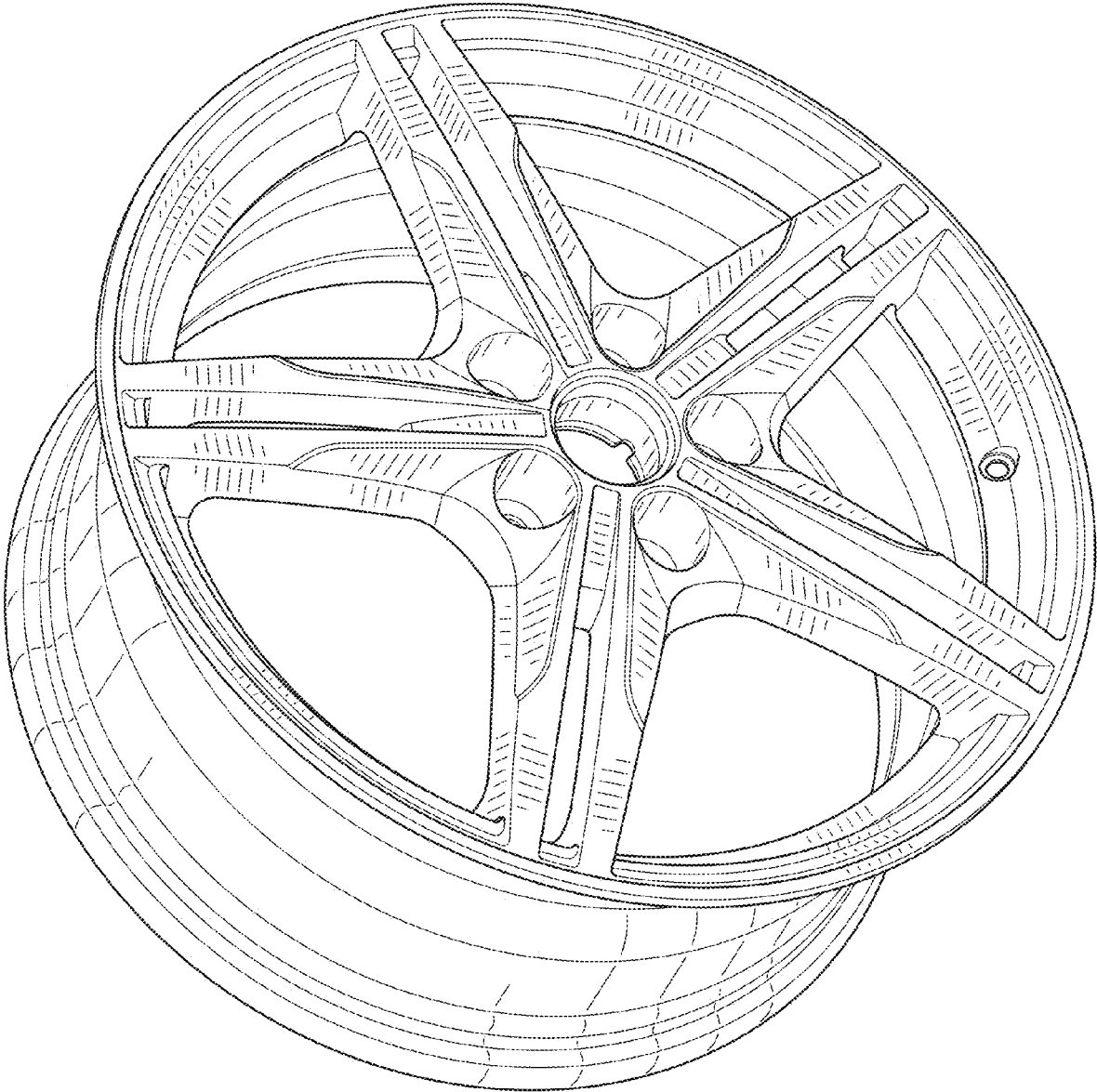


FIG. 1

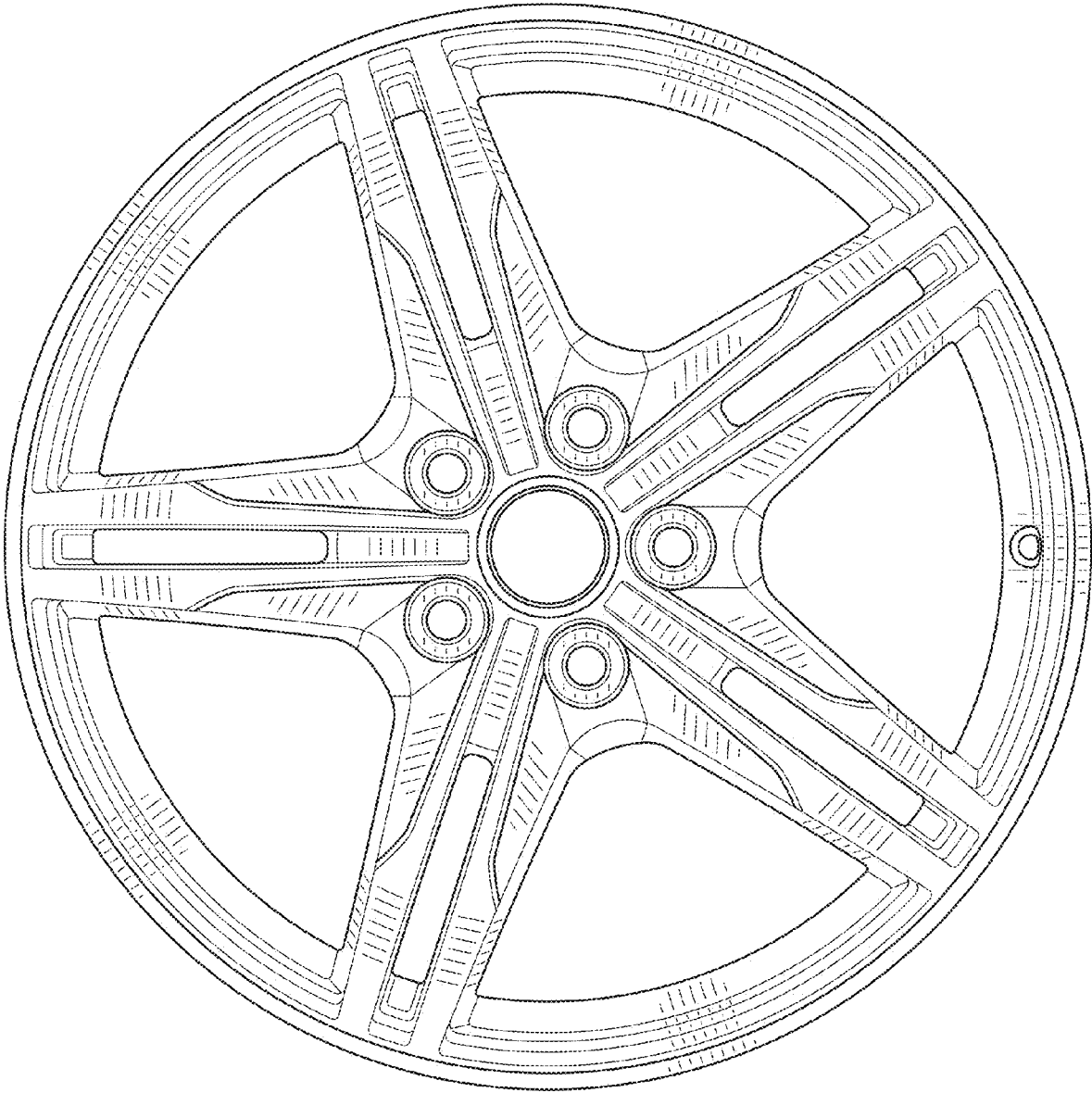


FIG. 2