

(12) INTERNATIONAL APPLICATION PUBLISHED UNDER THE PATENT COOPERATION TREATY (PCT)

(19) World Intellectual Property Organization
International Bureau



(43) International Publication Date
27 December 2002 (27.12.2002)

PCT

(10) International Publication Number
WO 02/103403 A3

- (51) International Patent Classification⁷: **G02B 6/36**,
6/255, 6/00
- (21) International Application Number: PCT/US01/43222
- (22) International Filing Date:
16 November 2001 (16.11.2001)
- (25) Filing Language: English
- (26) Publication Language: English
- (30) Priority Data:
- | | | |
|------------|-------------------------------|----|
| 60/249,189 | 16 November 2000 (16.11.2000) | US |
| 60/249,196 | 16 November 2000 (16.11.2000) | US |
| 60/249,195 | 16 November 2000 (16.11.2000) | US |
| 60/249,197 | 16 November 2000 (16.11.2000) | US |

LS, MG, ML, MN, MR, MW, MZ, NE, SD, SL, SN, SZ, TD, TG, TT, TZ, UG, VN, ZM, ZW only): **CARL-ZEISS-STIFTUNG** [DE/DE]; 89518 Heidenheim (DE).

(71) Applicant (for *BB, BF, BJ, BZ, CF, CG, CI, CM, GA, GD, GE, GH, GM, GN, GQ, GW, KE, KG, LC, LK, LR, LS, MG, ML, MN, MR, MW, MZ, NE, SD, SL, SN, SZ, TD, TG, TT, TZ, UG, VN, ZM, ZW only*): **SCHOTT GLAS, CARL-ZEISS-STIFTUNG trading as SCHOTT GLAS and CARL-ZEISS-STIFTUNG** [DE/DE]; Hattenbergstrasse 10, 55122 Mainz (DE).

(72) Inventors; and

(75) Inventors/Applicants (for *US only*): **PLICHTA, Armin** [DE/DE]; Graf-Eberhard-Strasse 19, 55595 Sponheim (DE). **BRIX, Peter** [DE/DE]; Stadthausstrasse 17, 55116 Mainz (DE). **GERSTNER, Klaus** [DE/DE]; Otto Hahn Strasse 17, 55192 Mainz (DE). **SCHLATTER-BECK, Dirk** [DE/DE]; Leibnitzstr. 2, 55118 Mainz (DE). **WEISSER, Michael** [DE/DE]; Vogelsbergstrasse 67, 55129 Mainz (DE). **SOMMER, Martin** [DE/DE]; Am Sportfeld 12b, 55437 Ockenheim (DE). **RUBINO, Robert, A., Jr.** [US/US]; 296 Weigold Road, Tolland, CT 06084 (US). **BONJA, Jeffrey, A.** [US/US]; 180 Fiske Hill Road, Sturbridge, MA 01566 (US). **STRACK, Richard** [US/DE]; 34 Wells Park Road, Sturbridge, MA 01566 (US). **HENZE, Inka** [DE/DE]; Osterstrasse 22a, 55288 Udenheim (DE).

(71) Applicant (for all designated States except *AU, GB, IE, IL, IN, JP, KE, KP, KR, NZ, SG, TZ, UG, US, ZA*): **SCHOTT GLAS** [DE/DE]; Hattenbergstrasse 10, 55122 Mainz (DE).

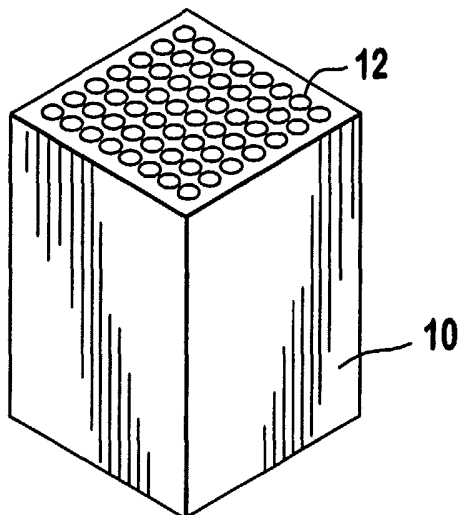
(71) Applicant (for *AU, BB, BF, BJ, BZ, CF, CG, CI, CM, GA, GB, GD, GE, GH, GM, GN, GQ, GW, IE, IL, IN, KE, KG, KP, KR, LC, LK, LR, LS, MG, ML, MN, MR, MW, MZ, NE, NZ, SD, SG, SL, SN, SZ, TD, TG, TT, TZ, UG, VN, ZA, ZM, ZW only*): **CARL-ZEISS-STIFTUNG trading as SCHOTT GLAS** [DE/DE]; Hattenbergstrasse 10, 55122 Mainz (DE).

(71) Applicant (for *BB, BF, BJ, BZ, CF, CG, CI, CM, GA, GD, GE, GH, GM, GN, GQ, GW, JP, KE, KG, LC, LK, LR,*

(74) Agents: **GARCIA-ZAMOR, Ruy** et al.; Volpe and Koenig, P.C., Suite 400, One Penn Center, 1617 John F. Kennedy Boulevard, Philadelphia, PA 19103 (US).

[Continued on next page]

(54) Title: METHOD OF FORMING AN ORDERED OPTIC FIBER ARRAY AND CONNECTOR ARRANGEMENT FOR SAME



(57) Abstract: A method of forming an ordered optic fiber array is provided by forming an array of holes (12) in a glass block (10) based on an enlarged pattern of a desired precision array, heating and drawing the glass block from a first end thereof, and reducing an outside dimension of the glass block and the array of holes to a predetermined size for the precision array. A portion of the alignment block body (18) is separated to form at least one fiber alignment plate (14), and optic fibers (22) are attached. This can be used in a connector arrangement (30) for optic fibers (22) having first and second fiber alignment plates (32, 34) being located on a floating mount. Alignment structures are located on the alignment plate (16) for precise alignment. Another method of assembling an ordered optic fiber array can be used in which optic fibers are positioned with a computer-controlled manipulator and adhered to a substrate.

WO 02/103403 A3



(81) Designated States (national): AE, AG, AL, AM, AT, AU, AZ, BA, BB, BG, BR, BY, BZ, CA, CH, CN, CO, CR, CU, CZ, DE, DK, DM, DZ, EC, EE, ES, FI, GB, GD, GE, GH, GM, HR, HU, ID, IL, IN, IS, JP, KE, KG, KP, KR, KZ, LC, LK, LR, LS, LT, LU, LV, MA, MD, MG, MK, MN, MW, MX, MZ, NO, NZ, OM, PH, PL, PT, RO, RU, SD, SE, SG, SI, SK, SL, TJ, TM, TR, TT, TZ, UA, UG, US, UZ, VN, YU, ZA, ZW.

(84) Designated States (regional): ARIPO patent (GH, GM, KE, LS, MW, MZ, SD, SL, SZ, TZ, UG, ZM, ZW), Eurasian patent (AM, AZ, BY, KG, KZ, MD, RU, TJ, TM), European patent (AT, BE, CH, CY, DE, DK, ES, FI, FR,

GB, GR, IE, IT, LU, MC, NL, PT, SE, TR), OAPI patent (BF, BJ, CF, CG, CI, CM, GA, GN, GQ, GW, ML, MR, NE, SN, TD, TG).

Published:

— with international search report

(88) Date of publication of the international search report:

24 April 2003

For two-letter codes and other abbreviations, refer to the "Guidance Notes on Codes and Abbreviations" appearing at the beginning of each regular issue of the PCT Gazette.

INTERNATIONAL SEARCH REPORT

International application No.

PCT/US01/43222

A. CLASSIFICATION OF SUBJECT MATTER

IPC(7) : GO2B/ 6/36, 6/255, 6/00
 US CL : 385/ 88, 89, 90, 91, 92, 93, 135, 136, 137, 138, 147

According to International Patent Classification (IPC) or to both national classification and IPC

B. FIELDS SEARCHED

Minimum documentation searched (classification system followed by classification symbols)

U.S. : 385/ 88, 89, 90, 91, 92, 93, 135, 136, 137, 138, 147

Documentation searched other than minimum documentation to the extent that such documents are included in the fields searched

Electronic data base consulted during the international search (name of data base and, where practicable, search terms used)
 EAST

C. DOCUMENTS CONSIDERED TO BE RELEVANT

Category *	Citation of document, with indication, where appropriate, of the relevant passages	Relevant to claim No.
Y,P	US 6,455,944 B1 (KATO et al) 24 September 2002 (24.09.2002), see the entire document	5-10
Y	US 5,671,311 A (STILLIE et al) 23 September 1997(23. 09. 1997), see the entire document	6-10
Y	US 5,611,013 A (CURZIO) 11 March 1997 (11.03.1997), see the entire document	5-10
Y,E	US 6,434.314 B1 (GATICA et al) 13 August 2002 (13.08.2002), see the entire document	5-10
Y,P	US 6,243,520 B1 (GOLDMAN) 05 June 2001 (05.06.2001), see the entire document	1-4 , 11-17
Y	US 4,948,219 A, (SEINO et al) 14 August 1990 (14.08.1990), see the entire document	1-4, 11- 17
Y	US 5,742,720 A (KOBAYASHI et al) 21 April 1998 (21.04.1998), see the entire document	1-4, 11-17

Further documents are listed in the continuation of Box C.

See patent family annex.

* Special categories of cited documents:		
"A" document defining the general state of the art which is not considered to be of particular relevance	"T"	later document published after the international filing date or priority date and not in conflict with the application but cited to understand the principle or theory underlying the invention
"E" earlier application or patent published on or after the international filing date	"X"	document of particular relevance; the claimed invention cannot be considered novel or cannot be considered to involve an inventive step when the document is taken alone
"L" document which may throw doubts on priority claim(s) or which is cited to establish the publication date of another citation or other special reason (as specified)	"Y"	document of particular relevance; the claimed invention cannot be considered to involve an inventive step when the document is combined with one or more other such documents, such combination being obvious to a person skilled in the art
"O" document referring to an oral disclosure, use, exhibition or other means		
"P" document published prior to the international filing date but later than the priority date claimed	"&"	document member of the same patent family

Date of the actual completion of the international search

25 November 2002 (25.11.2002)

Date of mailing of the international search report

06 DEC 2002

Name and mailing address of the ISA/US

Commissioner of Patents and Trademarks
 Box PCT
 Washington, D.C. 20231

Facsimile No. (703)305-3230

Authorized officer

Akm Enayet Ullah *J. Macaluso*

Telephone No. 703-308-0956