



(72) DOERKSEN, BRIAN J., US

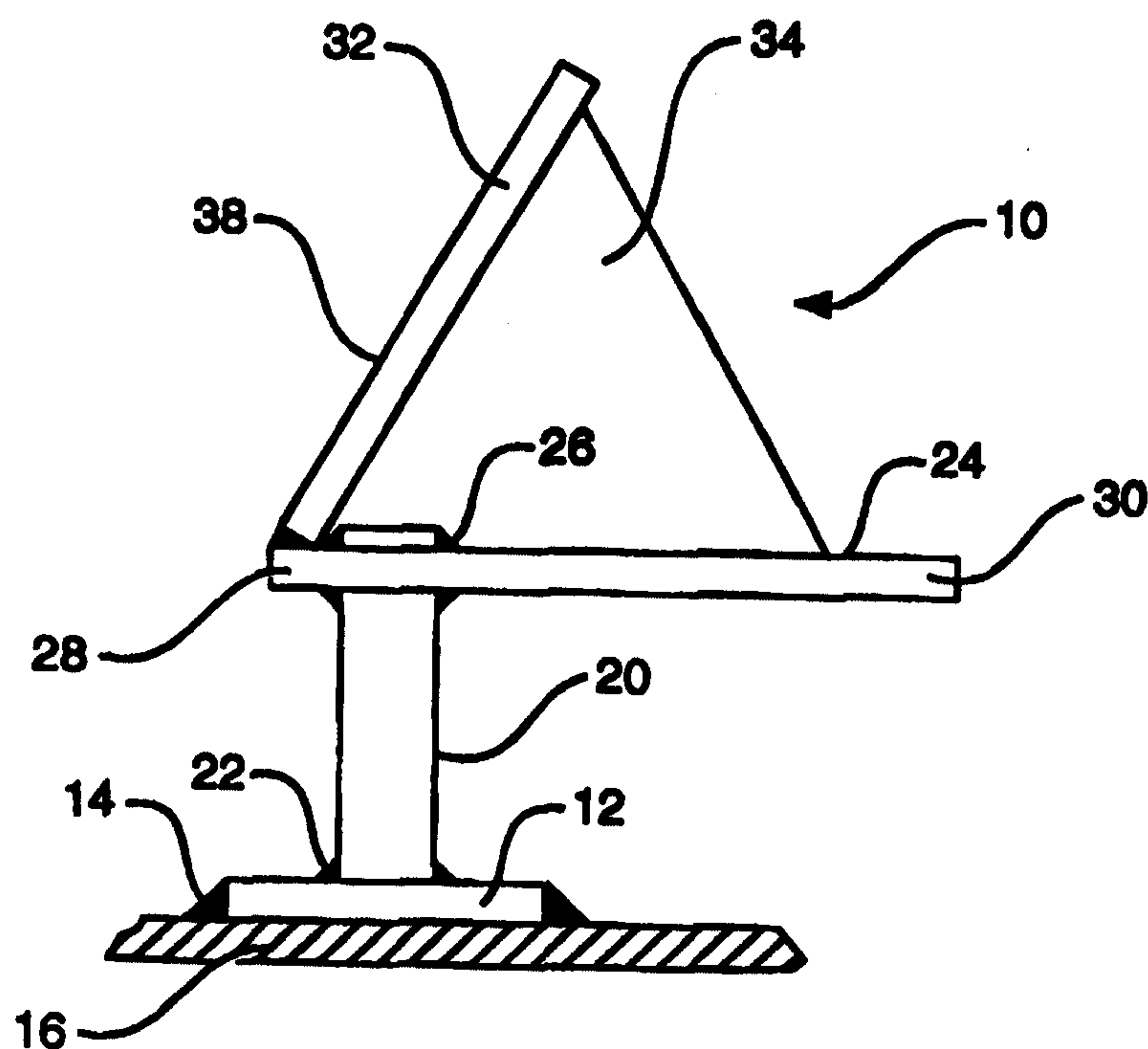
(71) CONOCO INC., US

(51) Int.Cl.<sup>6</sup> F27B 7/16

(30) 1998/02/25 (09/030,630) US

(54) **CORNIERE ELEVATRICE OUVREE EN ACIER, POUR FOUR  
ROTATIF**

(54) **FABRICATED STEEL LIFTER FOR ROTARY KILN**



(57) L'invention concerne une cornière élévatrice ouverte (10) en acier, conçue pour améliorer le mélangeage de matières particulaires dans un four à calciner rotatif. Ladite cornière (10) est fabriquée dans un alliage soudable résistant à la chaleur et se compose d'une plaque de base (12), d'une colonne d'ancrage (20), d'une plaque d'appui (24), d'une plaque frontale (32) fixée à la plaque d'appui (24) et s'étendant vers l'arrière, au-dessus de la colonne d'ancrage (20), et supportant des goussets (34, 36) entre la plaque d'appui (24) et la plaque frontale (32).

(57) A fabricated steel lifter (10) for enhancing mixing of particulate material in a rotary calcining kiln. The lifter (10) is fabricated from a weldable heat resistant alloy and includes a base plate (12), an anchor post (20), a sole plate (24), a face plate (32) attached to the sole plate (24) and extending back over the anchor post (20), and supporting gussets (34, 36) between the sole plate (24) and the face plate (32).

**PCT**WORLD INTELLECTUAL PROPERTY ORGANIZATION  
International Bureau

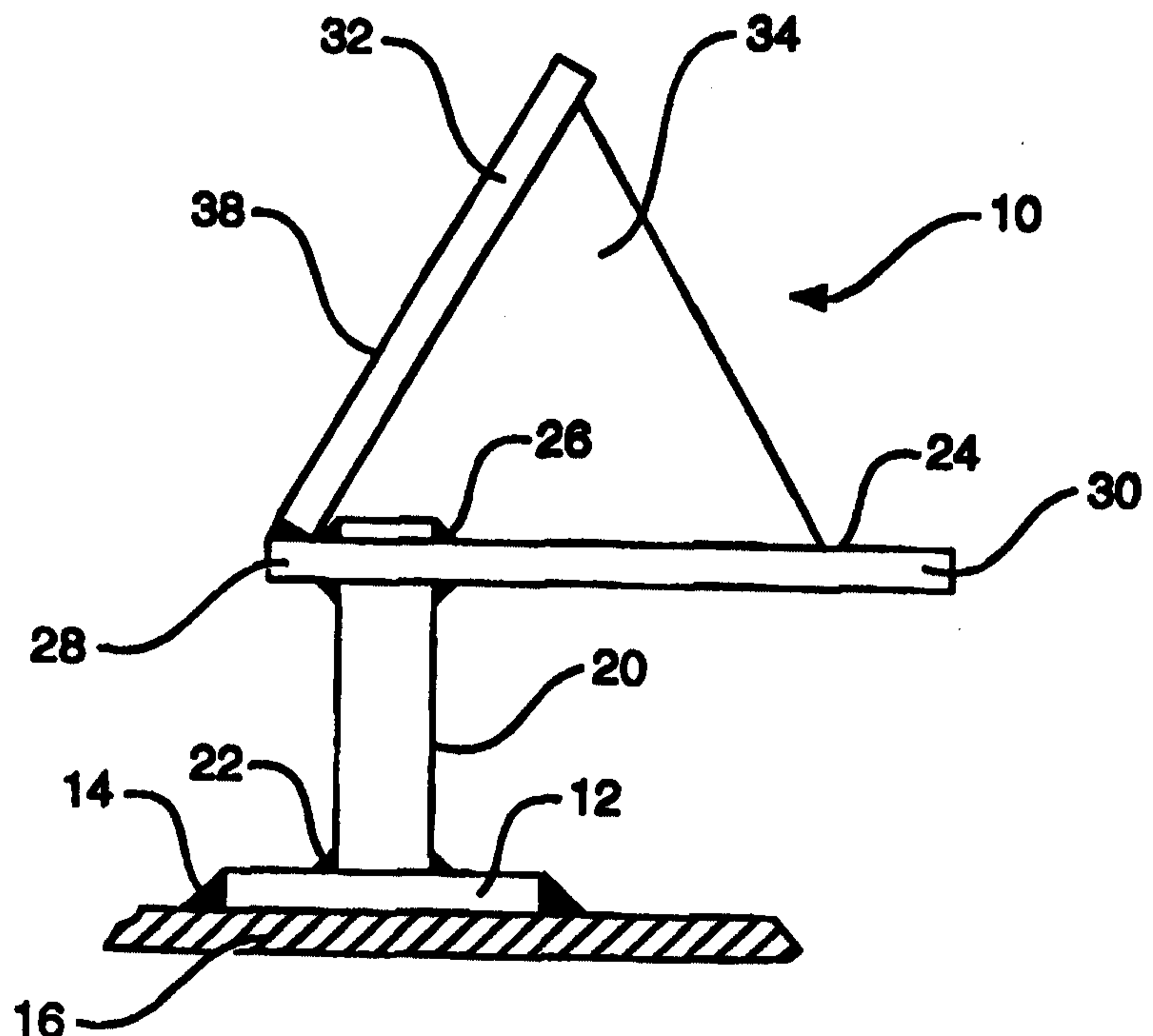
## INTERNATIONAL APPLICATION PUBLISHED UNDER THE PATENT COOPERATION TREATY (PCT)

(51) International Patent Classification <sup>6</sup> : <b>F27B 7/16</b>	<b>A1</b>	(11) International Publication Number: <b>WO 99/44000</b> (43) International Publication Date: 2 September 1999 (02.09.99)
---	-----------	---

<p>(21) International Application Number: PCT/US99/02085</p> <p>(22) International Filing Date: 1 February 1999 (01.02.99)</p> <p>(30) Priority Data: 09/030,630 25 February 1998 (25.02.98) US</p> <p>(71) Applicant: CONOCO INC. [US/US]; 1000 South Pine Street, Ponca City, OK 74602-1267 (US).</p> <p>(72) Inventor: DOERKSEN, Brian, J.; 229 Virginia Avenue, Ponca City, OK 74601 (US).</p> <p>(74) Agents: HALL, William, D. et al.; Conoco Inc., 1000 South Pine Street, Ponca City, OK 74602-1267 (US).</p>	<p>(81) Designated States: CA, CN, IN, JP, MX, NO, UA, European patent (AT, BE, CH, CY, DE, DK, ES, FI, FR, GB, GR, IE, IT, LU, MC, NL, PT, SE).</p> <p><b>Published</b> <i>With international search report.</i> <i>With amended claims.</i></p>
---	---

**(54) Title:** FABRICATED STEEL LIFTER FOR ROTARY KILN**(57) Abstract**

A fabricated steel lifter (10) for enhancing mixing of particulate material in a rotary calcining kiln. The lifter (10) is fabricated from a weldable heat resistant alloy and includes a base plate (12), an anchor post (20), a sole plate (24), a face plate (32) attached to the sole plate (24) and extending back over the anchor post (20), and supporting gussets (34, 36) between the sole plate (24) and the face plate (32).



FABRICATED STEEL LIFTER FOR ROTARY KILNField of the Invention

5 This invention relates to rotary calcining kilns, and more particularly to improved mixers or lifters in such kilns for mixing particulate material as it moves through the kiln.

Background of the Invention

10 Rotating calcining kilns are utilized for calcining various materials including so-called green coke. Particulate green coke is fed into one end of an inclined rotating generally cylindrical kiln, and burners near the discharge end of the kiln provide heat for transforming green coke into calcined coke as the coke  
15 moves through the calciner. In order to obtain uniformity in calcining, it is conventional to provide lifters (mixers) in at least part of the calciner interior. The calciner interior typically is lined with refractory material to protect the calciner shell from  
20 the high calcining temperature. Mixers comprised of reinforced refractory material are typically located in a pattern on the calciner interior. These mixers project into the kiln interior beyond the surface of the refractory lining and assist in the mixing and tumbling  
25 of the particulate material being calcined, resulting in a more uniformly calcined material than would be obtained in the absence of the mixers.

30 Mixers formed of refractory material are satisfactory up to a point, but over a period of several months to one or two years these mixers degrade by spalling and crumbling, resulting in reduced calcining efficiency between shutdowns for repair. In the past, when calciners have been shut down for scheduled maintenance, repair of refractory mixers has been  
35 required.

Background Art

In addition to the refractory mixers discussed above, a cast metal lifter is available from Fuller

WO 99/44000

PCT/US99/02085

Mineral Processing, Inc. of Bethlehem, PA. This lifter includes a rather complex anchoring system including multiple support posts extending through the kiln shell.

#### Summary of the Invention

5           According to the present invention, a fabricated steel lifter is provided for replacement of the conventional refractory mixer. The steel lifter is adapted for attachment to the kiln shell, and is configured to effectively mix the kiln contents and to  
10           have a longer life than refractory mixers.

          Accordingly, it is an object of the invention to overcome the deficiencies of refractory mixers in rotary calcining kilns. It is a further object to provide a mixer that can be easily fabricated and  
15           installed, and that will be much more durable than existing mixers.

#### The Drawings

          Figure 1 is a cut away view of a calciner showing a pattern of mixers on the interior of the  
20           calciner.

          Figure 2 is a rear elevation, partially cut away, showing a fabricated lifter in accordance with the invention.

          Figure 3 is a side elevation, partially cut  
25           away, showing a fabricated lifter in accordance with the invention.

          Figure 4 is a perspective view showing a fabricated lifter in accordance with the invention.

#### Description of the Preferred Embodiment

30           As seen in Figures 2, 3, and 4, a fabricated lifter shown generally at 10 includes a base plate 12 attached by welds 14 to kiln shell 16. Base plate 12 includes a vent hole (not shown) for preventing gas pressure build up under base plate 12. An anchor post 20  
35           is affixed to base plate 12 by welds 22, and extends into

WO 99/44000

PCT/US99/02085

the kiln interior, preferably just past the thickness of the refractory lining of the kiln shell.

5 A sole plate 24 is attached to anchor post 20 by welds 26, and includes a shorter section 28 and a longer section 30.

A face plate 32 is attached to the short section of the sole plate 28 by welds 34, and extends at an incline back over anchor post 20.

10 A pair of gussets 34 and 36 in the shape of triangular plates are affixed to sole plate 24 and face plate 32 to provide rigidity and support to the lifter, particularly to the face plate 32.

15 As seen best in Figure 2, gussets 34 and 36 are positioned outside the diameter of anchor post 20 and in combination with face plate 32 provide protection from radiant heat for the connection of the anchor post to the sole plate.

20 As seen in Figure 4, the sole plate 24 overlies refractory material 40 lining the interior of the kiln.

It will be apparent that variations from the structure shown in Figures 2 and 3 could be utilized. For example, the acute angle between the face plate and sole plate could be more or less than as shown, and the shape of the various segments of the lifter could be changed. For example, the face plate could have a plow shape to enhance mixing of the kiln contents.

25 The lifter of this invention is fabricated from a weldable alloy suitable for high temperature service. A preferred alloy composition for the lifter is a nickel-based alloy comprising about 45 percent nickel, 25 percent chromium, 18 percent iron, 1.25 percent silicon and 3 percent each of molybdenum, columbium and tungsten.

#### Operation

35 In utilizing the lifter of the invention, a group of lifters are positioned in a pattern on the interior of a kiln 18 as shown in Figure 1. The face plates 32 of lifters 10 are inclined back from the

WO 99/44000

PCT/US99/02085

direction of kiln rotation so that the front surfaces 38 of face plates 32 contact particulate material being calcined.

5 A lifter in accordance with the invention is fabricated of a weldable alloy adapted to withstand the severe operating conditions. In a commercial kiln, the base plate 12 might be an eight inch diameter circle of one inch thickness, the anchor post 20 a 2.5 inch diameter rod, the face plate 32 about one square foot of 10 one inch plate, the gussets 34 and 36 might be equilateral triangles of one inch plate, and the sole plate 24 a one inch plate about 20 by 12 inches. The bottom of sole plate 24 overlies the top of refractory lining (not shown) between the kiln shell and the bottom 15 of sole plate 24.

#### Example 1

In this example, lifters substantially as described above and shown in Figures 2 and 3 were installed in a commercial coke calcining kiln. After 20 three months of continuous operation, the kiln interior was inspected, and the lifters showed no significant degradation. Conventional cast refractory lifters in similar circumstances typically exhibit significant degradation.

**Amended Claims**

[received by the International Bureau on 07 July 1999 (07.07.99);  
original claim 2 amended; remaining claims unchanged (1 page)]

Claim 1. A fabricated steel alloy lifter for enhancing the mixing of the contents of a rotating calcining kiln, said lifter comprising:

5 a base plate adapted for fixed attachment to an inner surface of a shell of said kiln;  
an anchor post attached to said base plate and extending upwardly therefrom;  
a sole plate affixed to the upper end of said anchor  
10 post and oriented in a plane substantially parallel to the plane of said base plate;  
a face plate affixed to said sole plate and extending upwardly therefrom forming an acute angle between said face plate and said sole  
15 plate; and  
at least one support member attached to said face plate and said sole plate, said support member being adapted to maintain the orientation of said face plate relative to said sole plate.

20 Claim 2. A fabricated lifter as defined in Claim 1 wherein said at least one support member includes a pair of gussets affixed to the top of said sole plate and to the underside of said face plate.

25 Claim 3. A fabricated lifter as defined in Claim 2 wherein said gussets are positioned between the outer edges of said face plate and the outer diameter of said anchor post.

30 Claim 4. A fabricated lifter as defined in Claim 3 wherein said face plate is attached to an end of said sole plate adjacent the connection of said sole plate and said anchor post, and said face plate extends  
35 from said end of said sole plate back over said anchor post whereby said face plate and said gussets shield the top of said anchor post from radiant heat.

1 / 2

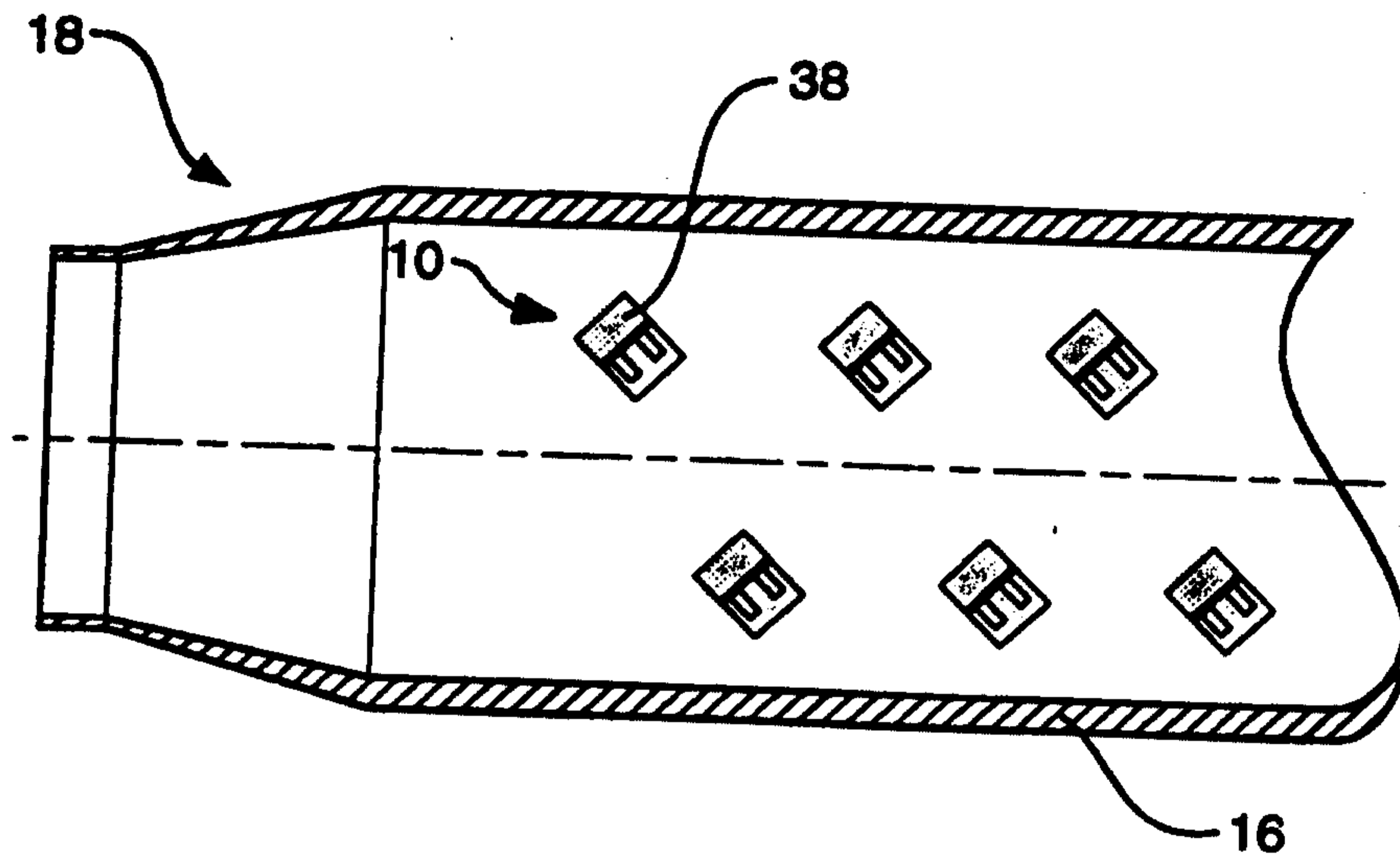


FIG 1.

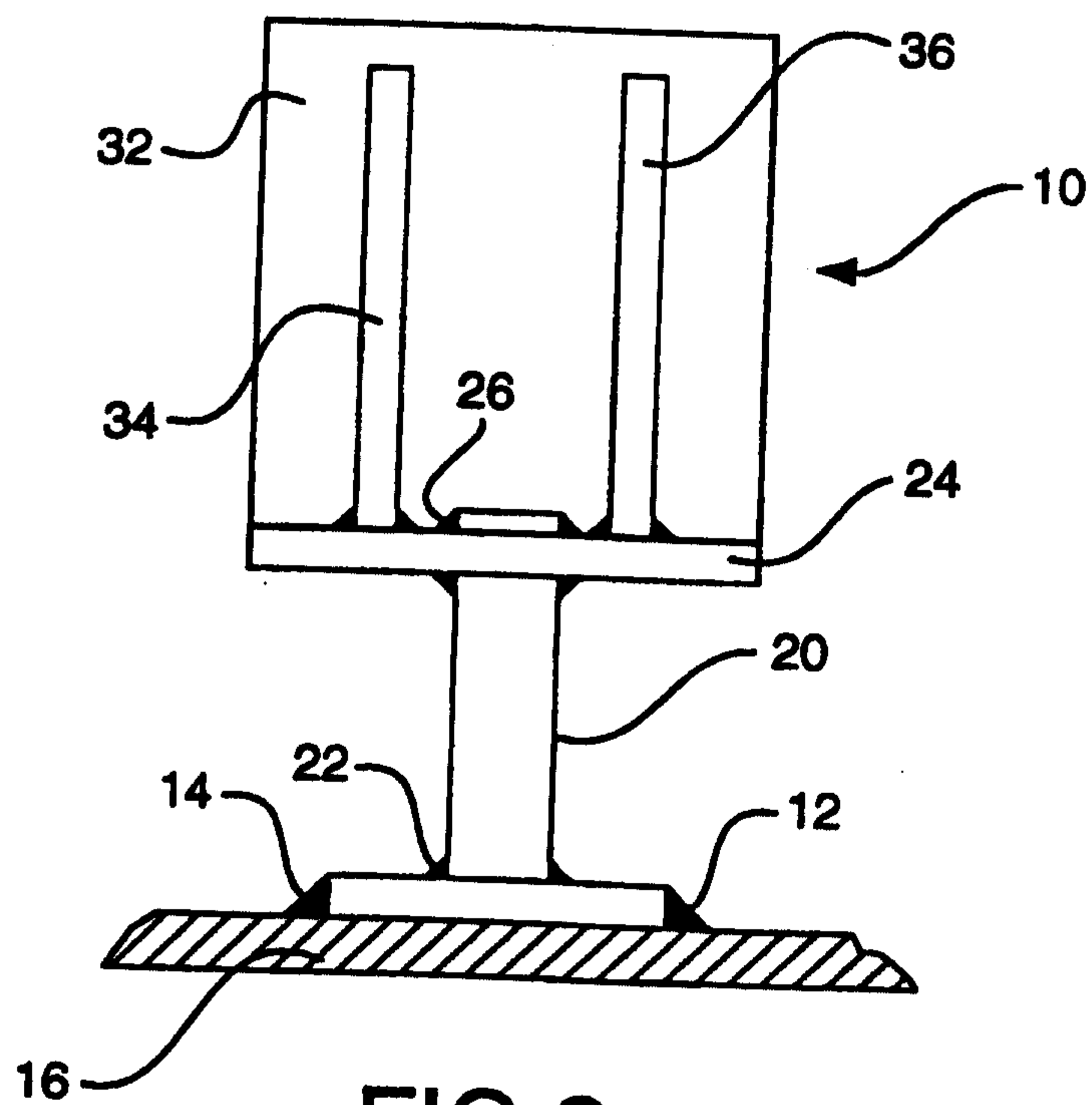


FIG 2.



2 / 2

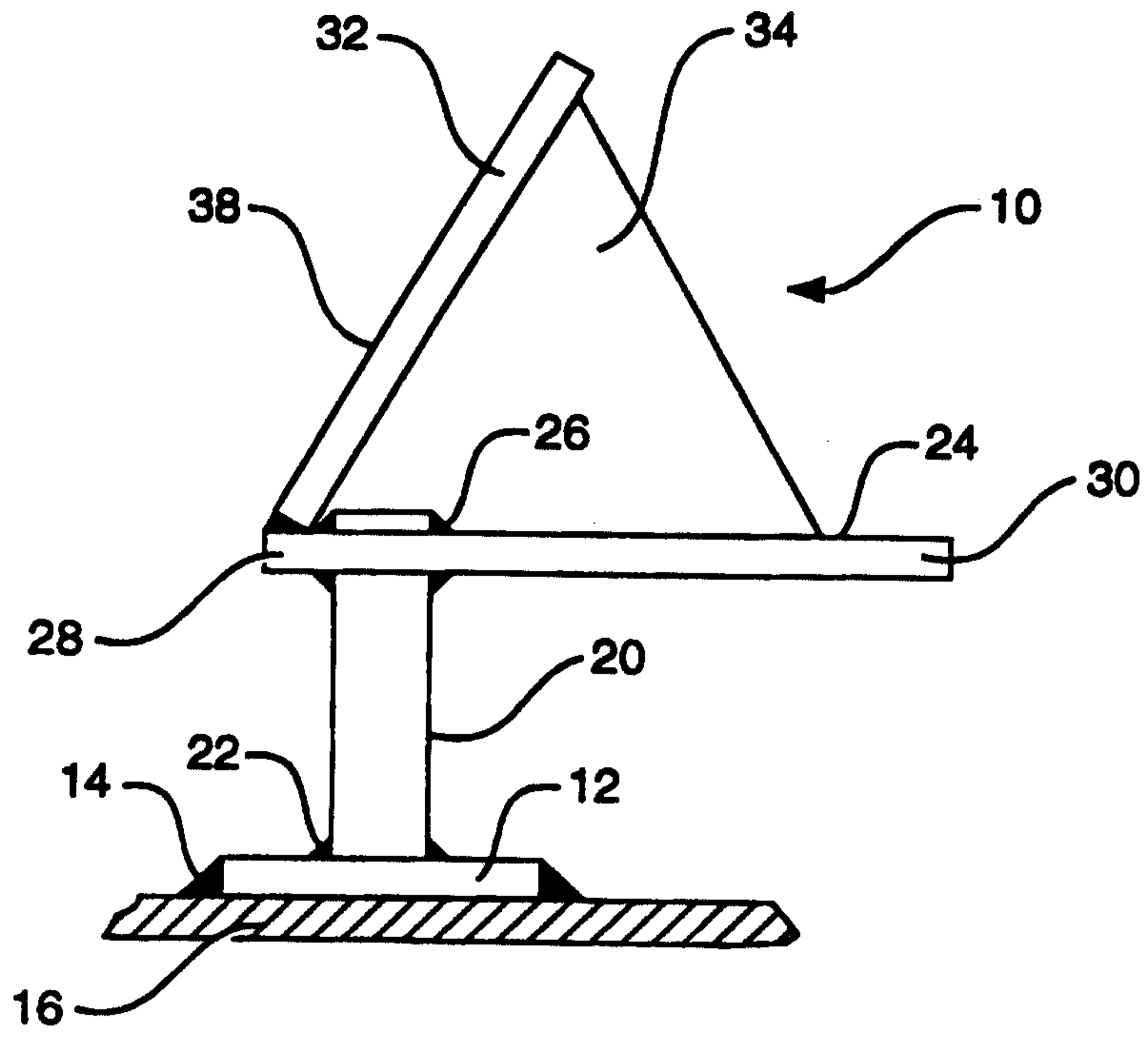


FIG 3.

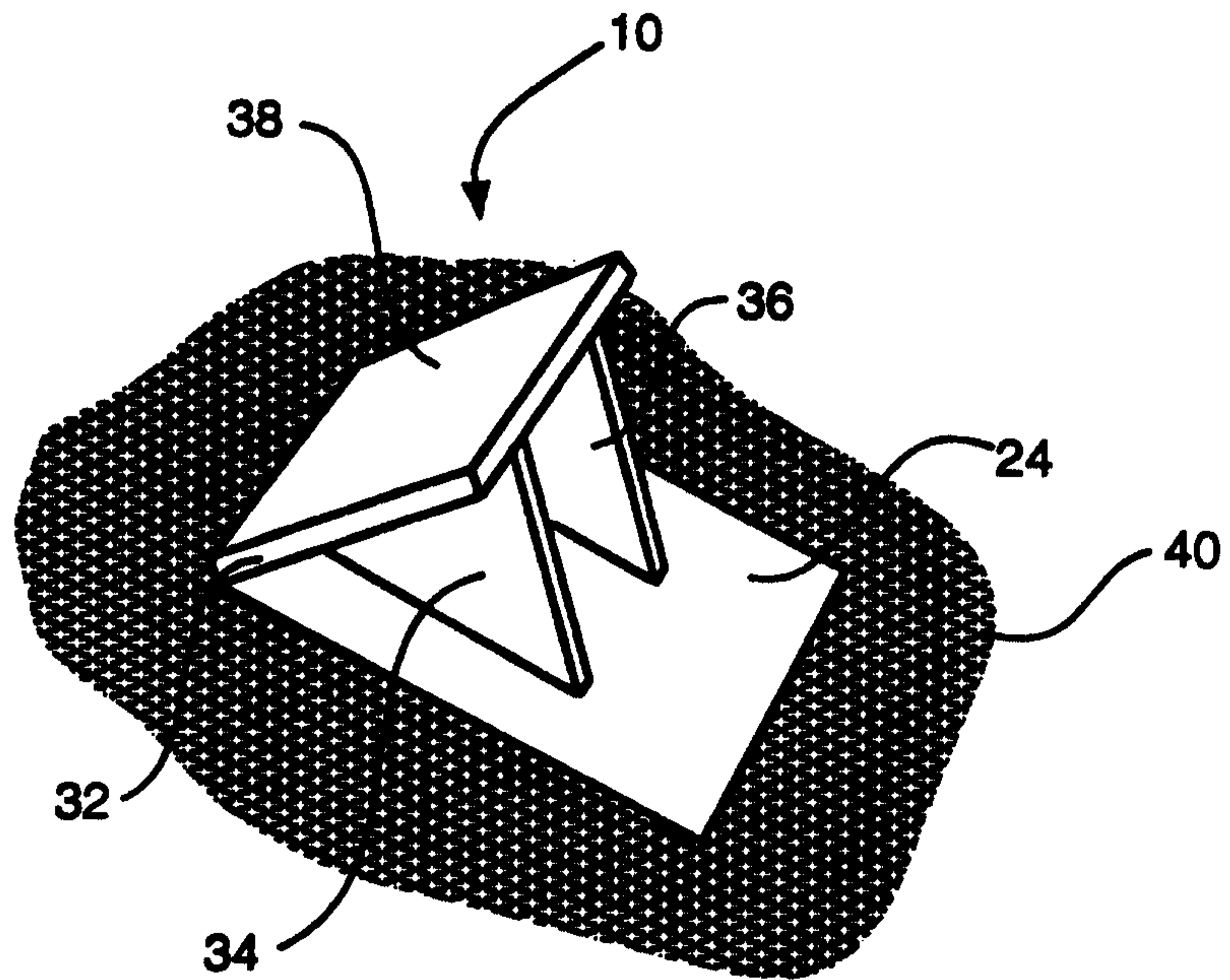


FIG 4.

