



US00D345484S

United States Patent [19]

[11] Patent Number: **Des. 345,484**

Mason

[45] Date of Patent: **** Mar. 29, 1994**

[54] **AUTOMATIC FILLING COFFEE MAKER**

[76] Inventor: **Don R. Mason**, 8551 SW. 27th Ave.,
Ocala, Fla. 32676

[**] Term: **14 Years**

[21] Appl. No.: **882,109**

[22] Filed: **May 14, 1992**

[52] U.S. Cl. **D7/309; D7/310; D7/311**

[58] Field of Search **D7/300, 308, 310, 311, D7/305, 309; 99/279, 293, 295**

2,554,367 5/1951 Karlen .
4,069,750 1/1978 Kemp D7/309 X
4,149,454 4/1979 Kemp 99/295
4,406,942 9/1983 Lo Conti D7/309 X
4,917,005 4/1990 Knepler D7/309 X

Primary Examiner—Nelson C. Holtje
Assistant Examiner—M. N. Pandozzi
Attorney, Agent, or Firm—Terry M. Gernstein

[57] CLAIM

The ornamental design for an automatic filling coffee maker, as shown and described.

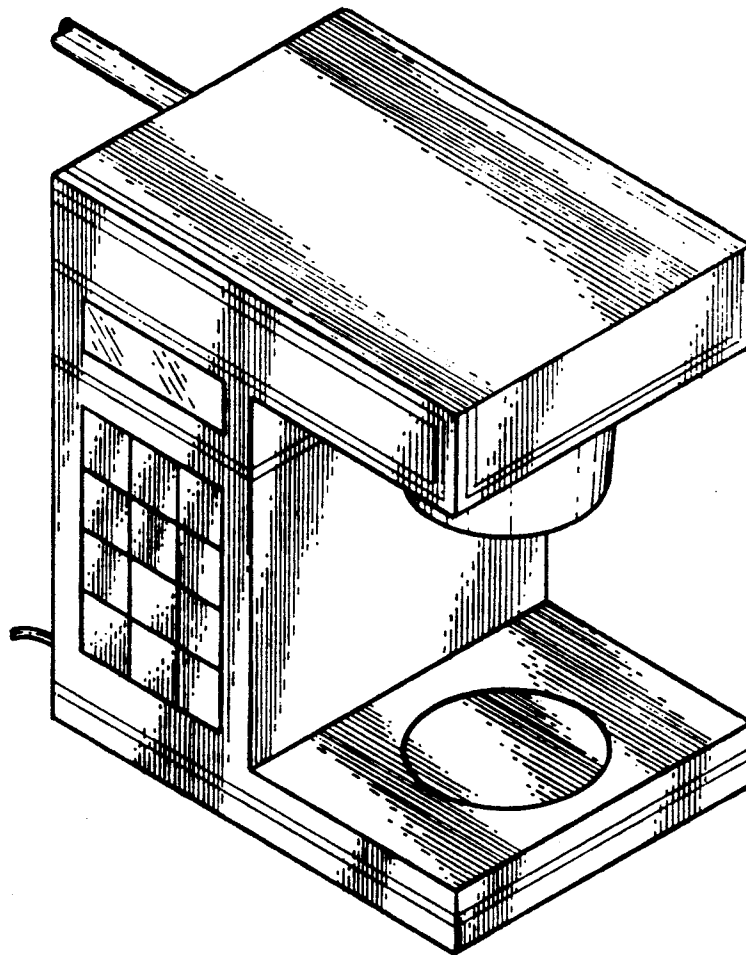
DESCRIPTION

FIG. 1 is a top, front and left side perspective view of an automatic filling coffee maker showing my new design; FIG. 2 is a left side elevational view thereof; FIG. 3 is a right side elevational view thereof; FIG. 4 is a rear elevational view thereof; FIG. 5 is a front elevational view thereof; FIG. 6 is a top plan view thereof; and, FIG. 7 is a bottom view thereof. The electric cord and water line in FIGS. 1, 2, 3, 4, 6, and 7 are shown broken away for ease of illustration.

[56] References Cited

U.S. PATENT DOCUMENTS

D. 243,501 3/1977 Painter D7/309
D. 243,737 3/1977 Painter D7/309
D. 269,488 6/1983 Marrotta D7/309
D. 274,400 6/1984 Muller D7/309
D. 288,887 3/1987 Schultz, Sr. D7/309
D. 291,765 9/1987 Takada .
D. 295,939 5/1088 Doie .
D. 316,795 5/1991 Brewer D7/308
D. 326,386 5/1992 Rakocy et al. D7/309



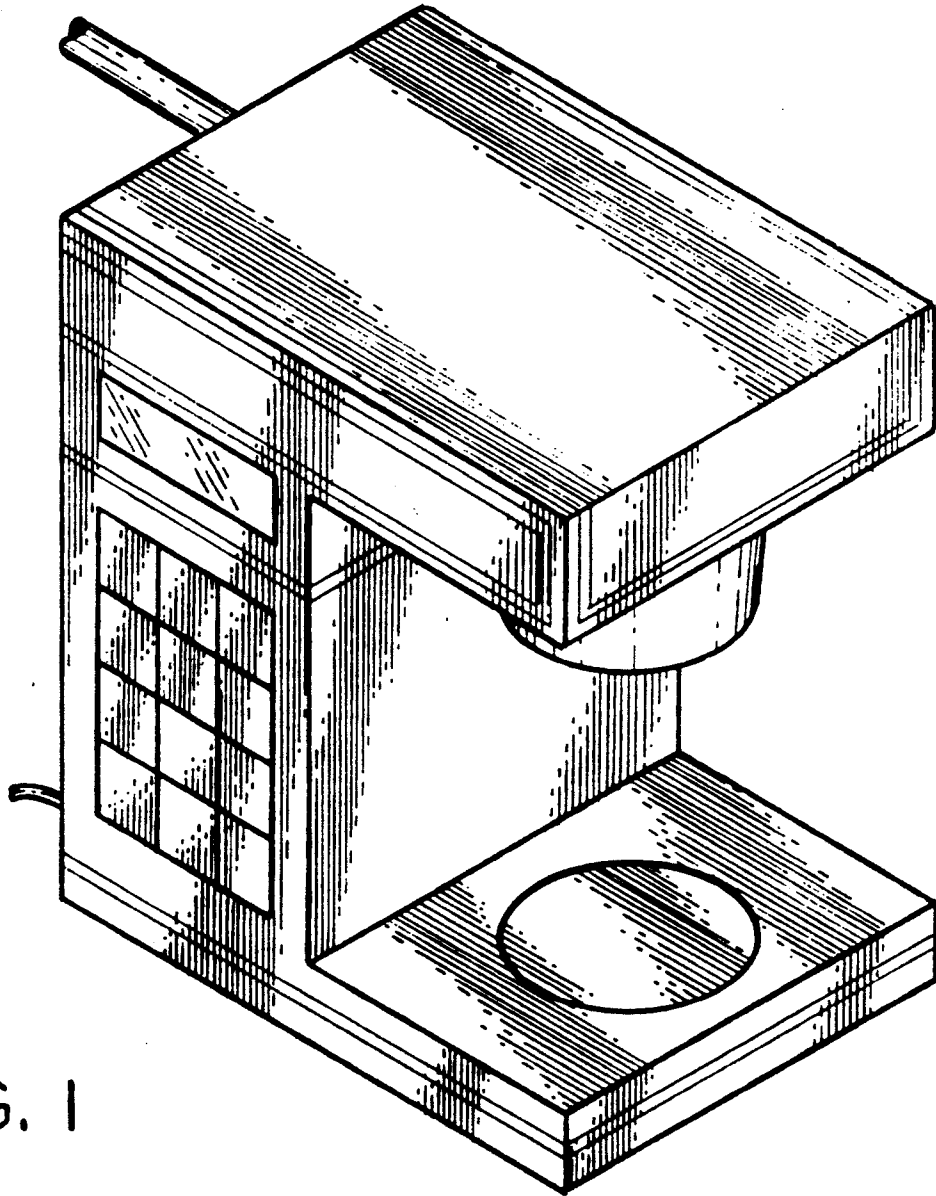


FIG. 1

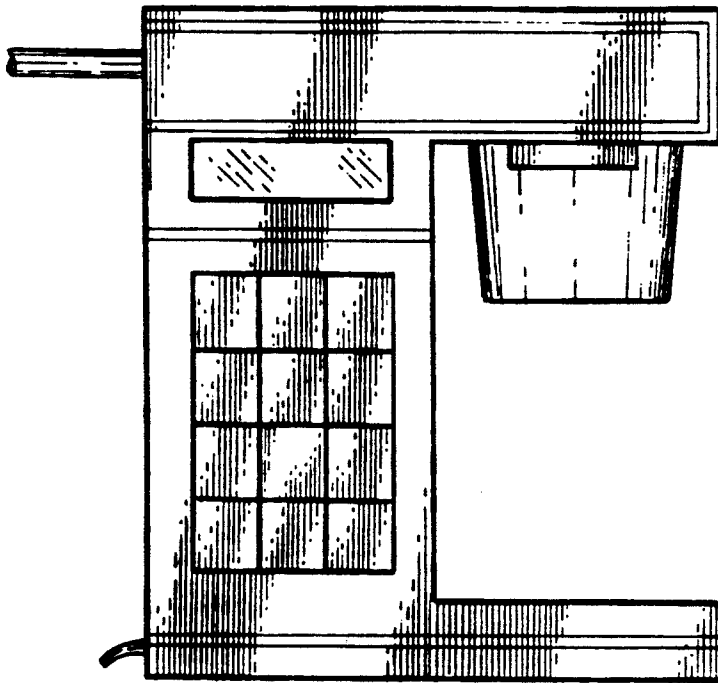


FIG. 2

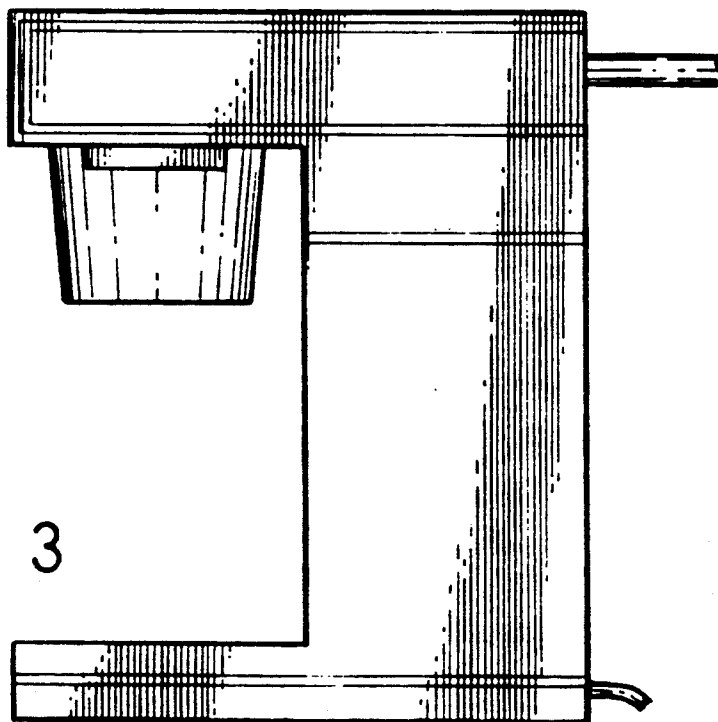


FIG. 3

FIG. 4

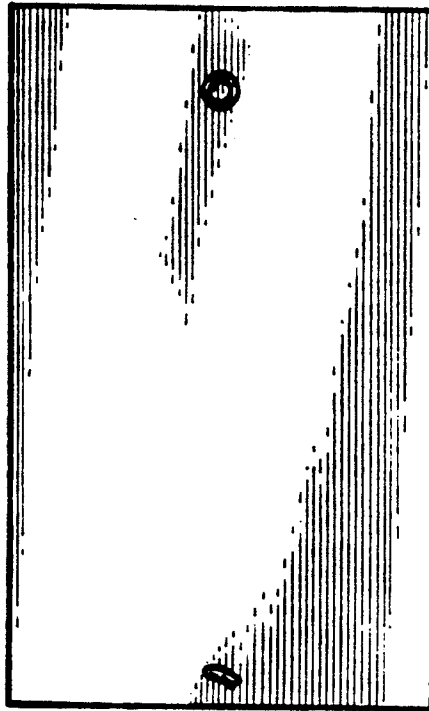
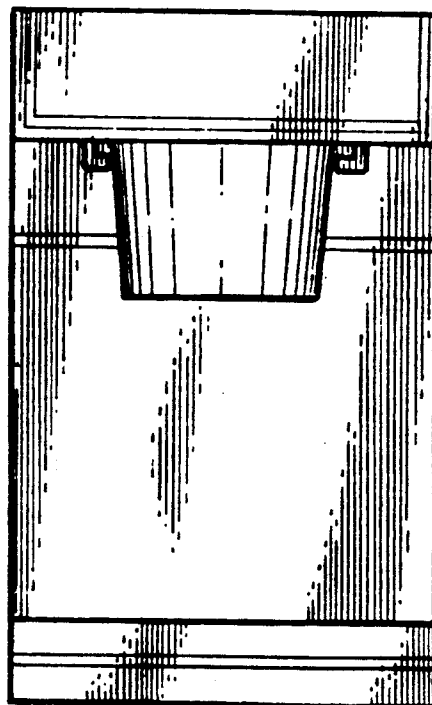


FIG. 5



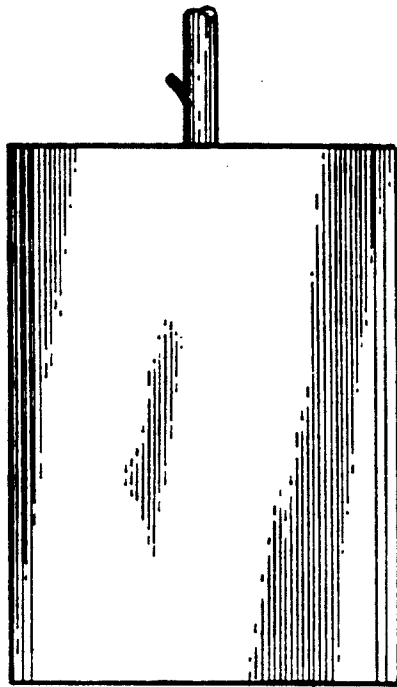


FIG. 6



FIG. 7