



US00D688497S

(12) **United States Design Patent**
Smith et al.

(10) **Patent No.:** **US D688,497 S**

(45) **Date of Patent:** **** Aug. 27, 2013**

(54) **CHAIR**

(71) Applicant: **Steelcase Inc.**, Grand Rapids, MI (US)

(72) Inventors: **Bruce M. Smith**, East Grand Rapids, MI (US); **Glen Oliver Low**, Hamburg (DE); **James N. Ludwig**, East Grand Rapids, MI (US); **Robert J. Battey**, Middleville, MI (US); **Gordon Jay Peterson**, Rockford, MI (US)

(73) Assignee: **Steelcase Inc.**, Grand Rapids, MI (US)

(**) Term: **14 Years**

(21) Appl. No.: **29/445,949**

(22) Filed: **Feb. 19, 2013**

Related U.S. Application Data

(63) Continuation of application No. 29/432,768, filed on Sep. 20, 2012.

(51) **LOC (9) Cl.** **06-01**

(52) **U.S. Cl.**
USPC **D6/716**; D6/366

(58) **Field of Classification Search**
USPC D6/334–336, 364, 365, 366, 367, D6/371–374, 376, 379, 380, 716, 716.1, 716.2, D6/716.3, 716.4; 297/284.4, 411.27, 452.21, 297/452.29, 452.3, 452.32, 452.35, 452.48
See application file for complete search history.

(56) **References Cited**

U.S. PATENT DOCUMENTS

4,711,491 A	12/1987	Ginat
5,439,267 A	8/1995	Peterson et al.
5,599,067 A	2/1997	Schuelke et al.
5,725,276 A	3/1998	Ginat
5,772,282 A	6/1998	Stumpf et al.
5,871,258 A	2/1999	Battey et al.

5,934,758 A	8/1999	Ritch et al.
5,975,634 A	11/1999	Knoblock et al.
6,035,901 A	3/2000	Stumpf et al.
6,039,397 A	3/2000	Ginat
D423,261 S	4/2000	Ritch et al.
6,053,578 A	4/2000	Van Hekken et al.
6,059,366 A	5/2000	Hu
6,059,368 A	5/2000	Stumpf et al.
6,076,892 A	6/2000	Van Hekken et al.
6,079,785 A	6/2000	Peterson et al.
6,086,156 A	7/2000	Breen et al.

(Continued)

FOREIGN PATENT DOCUMENTS

EP 2233043 9/2010

OTHER PUBLICATIONS

Haworth X99 Chair Brochure.
Werndl #1 Brochure.

(Continued)

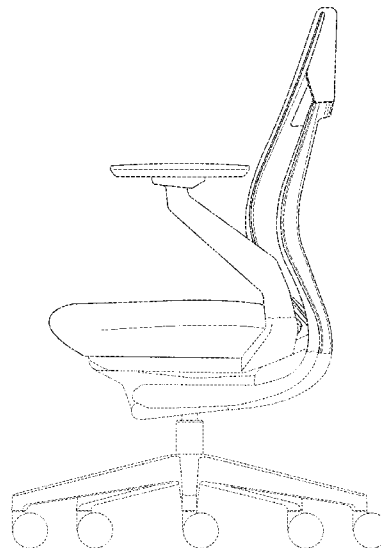
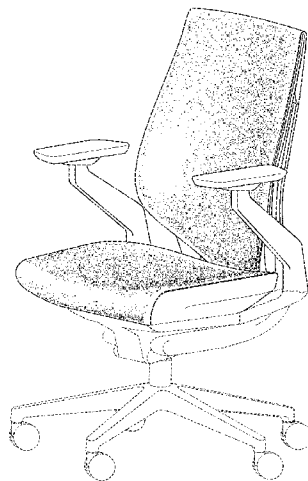
Primary Examiner — Mimosa De
(74) *Attorney, Agent, or Firm* — Price Heneveld LLP

(57) **CLAIM**
We claim the ornamental design for the chair, as shown and described.

DESCRIPTION

FIG. 1 is a perspective view of a chair embodying the present invention;
FIG. 2 is a front view of the chair;
FIG. 3 is a first side view of the chair;
FIG. 4 is a second side view of the chair;
FIG. 5 is a rear view of the chair;
FIG. 6 is a top view of the chair; and,
FIG. 7 is a bottom view of the chair.
The broken lines shown in the drawing are for illustrative purposes only and form no part of the claimed design.

1 Claim, 7 Drawing Sheets



(56)

References Cited

U.S. PATENT DOCUMENTS

6,125,521 A	10/2000	Stumpf et al.	7,281,764 B2	10/2007	Thole	
6,178,595 B1	1/2001	Marinoni	D557,027 S	12/2007	Hara	
6,220,661 B1	4/2001	Peterson	D557,950 S	12/2007	Lu	
D446,033 S	8/2001	Koepke et al.	D558,998 S *	1/2008	Hara	D6/366
D451,723 S	12/2001	Grove	D559,571 S *	1/2008	Meda	D6/366
6,364,415 B1	4/2002	Mori et al.	D567,522 S *	4/2008	Igarashi	D6/366
6,382,719 B1	5/2002	Heidmann et al.	D567,523 S *	4/2008	Hara	D6/366
6,386,634 B1	5/2002	Stumpf et al.	7,360,839 B1	4/2008	Chen	
6,394,546 B1	5/2002	Knoblock et al.	D568,625 S *	5/2008	Klaasen et al.	D6/366
6,394,548 B1	5/2002	Batthey et al.	7,367,622 B2	5/2008	Roslund et al.	
6,394,549 B1	5/2002	DeKraker et al.	D570,624 S *	6/2008	Kang	D6/716
6,419,318 B1	7/2002	Albright	D571,568 S *	6/2008	Overthun et al.	D6/366
6,460,932 B1	10/2002	Kopish et al.	D576,809 S	9/2008	Christianson et al.	
6,471,294 B1	10/2002	Dammermann et al.	7,419,222 B2	9/2008	Schmitz et al.	
6,499,801 B1	12/2002	Peterson et al.	7,425,037 B2	9/2008	Schmitz et al.	
6,502,904 B1	1/2003	Hansen	7,425,039 B2	9/2008	Lin	
6,508,509 B2	1/2003	Peterson	7,427,105 B2	9/2008	Knoblock et al.	
6,572,190 B2	6/2003	Koepke et al.	7,434,879 B2	10/2008	Ueda et al.	
6,588,842 B2	7/2003	Stumpf et al.	7,500,718 B2	3/2009	Fookes	
6,609,755 B2	8/2003	Koepke et al.	7,527,335 B2	5/2009	Eberlein et al.	
6,616,228 B2	9/2003	Heidmann	7,533,939 B2	5/2009	Fookes et al.	
6,619,746 B2	9/2003	Roslund, Jr. et al.	D593,345 S	6/2009	Schweikarth et al.	
6,644,749 B2	11/2003	Vanderiet et al.	7,549,704 B1	6/2009	Chou et al.	
6,669,292 B2	12/2003	Koepke et al.	D597,329 S *	8/2009	Tanaka et al.	D6/366
6,688,690 B2	2/2004	Watson et al.	7,594,700 B2	9/2009	Stumpf et al.	
D487,359 S	3/2004	Giugiaro	7,604,298 B2	10/2009	Peterson et al.	
6,702,390 B2	3/2004	Stumpf et al.	7,625,045 B2	12/2009	Hatcher et al.	
6,709,060 B1	3/2004	Su	D613,087 S *	4/2010	Fujita	D6/366
6,722,741 B2	4/2004	Stumpf et al.	7,744,159 B2	6/2010	Lee	
6,726,278 B1	4/2004	Albright et al.	7,798,573 B2	9/2010	Pennington et al.	
6,726,286 B2	4/2004	Stumpf et al.	7,806,481 B2	10/2010	Eberlein	
6,729,691 B2	5/2004	Koepke et al.	7,815,259 B2	10/2010	Fookes et al.	
6,733,080 B2	5/2004	Stumpf et al.	7,828,389 B2	11/2010	Oda	
D490,994 S	6/2004	Schmitz et al.	7,832,803 B2	11/2010	Cassaday	
6,758,523 B2	7/2004	Vanderiet et al.	7,837,269 B2	11/2010	Bock	
D493,626 S	8/2004	James	7,837,272 B2	11/2010	Masunaga et al.	
D493,627 S	8/2004	Ma	7,841,665 B2	11/2010	Geister et al.	
D496,812 S	10/2004	Chu	7,841,666 B2	11/2010	Schmitz et al.	
6,837,546 B2	1/2005	Vanderiet et al.	7,857,388 B2	12/2010	Bedford et al.	
6,857,704 B2	2/2005	Stenzel et al.	7,887,131 B2	2/2011	Chadwick et al.	
6,874,852 B2	4/2005	Footitt	7,887,135 B2	2/2011	Oda	
6,880,215 B2	4/2005	Peterson	7,922,248 B2	4/2011	Aldrich et al.	
6,899,398 B2	5/2005	Coffield	8,016,360 B2	9/2011	Machael et al.	
D507,423 S	7/2005	Beaulieu et al.	D646,914 S *	10/2011	Gaschy	D6/716
6,913,315 B2	7/2005	Ball et al.	8,029,066 B2	10/2011	Su	
6,942,300 B2	9/2005	Numa et al.	D648,147 S *	11/2011	Izawa	D6/366
6,948,775 B2	9/2005	Tsai	8,061,778 B2	11/2011	Machael et al.	
6,955,402 B2	10/2005	Vanderiet et al.	D649,795 S *	12/2011	Izawa	D6/366
6,966,604 B2	11/2005	Stumpf et al.	D654,280 S *	2/2012	Fujita	D6/366
6,983,997 B2	1/2006	Wilkerson et al.	D654,709 S	2/2012	Fujita	
D514,832 S	2/2006	Tsai	D654,711 S	2/2012	Fujita	
D517,820 S *	3/2006	Citterio	D655,523 S *	3/2012	Neil	D6/366
7,014,269 B2	3/2006	Coffield et al.	D656,329 S *	3/2012	Nakamura et al.	D6/366
7,025,424 B2	4/2006	Harley	D657,166 S	4/2012	Behar et al.	
D521,755 S	5/2006	Kinoshita et al.	D679,107 S *	4/2013	Darrow et al.	D6/366
7,055,911 B2	6/2006	Simpson et al.	2002/0003368 A1	1/2002	Vanderiet et al.	
7,066,537 B2	6/2006	Coffield et al.	2003/0030317 A1	2/2003	Chen	
7,066,546 B2	6/2006	Trego et al.	2003/0047980 A1	3/2003	Vassallo	
7,131,700 B2	11/2006	Knoblock et al.	2004/0000805 A1	1/2004	Vanderiet et al.	
D535,505 S	1/2007	Cai	2004/0155503 A1	8/2004	Stumpf et al.	
7,159,947 B1	1/2007	Lee	2005/0052061 A1	3/2005	Deimen et al.	
7,201,449 B2	4/2007	Tsai	2005/0062323 A1	3/2005	Dicks	
7,213,880 B2	5/2007	Schmitz et al.	2008/0122284 A1	5/2008	Yang	
7,213,886 B2	5/2007	Schmitz et al.	2010/0007190 A1	1/2010	Johnson et al.	
7,216,936 B2	5/2007	Peterson	2010/0237679 A1	9/2010	Tsukiji et al.	
D544,720 S *	6/2007	Berbegal Perez	2010/0244521 A1 *	9/2010	Ueda	297/298
D544,722 S	6/2007	Scheper et al.	2010/0276978 A1	11/2010	Furuta et al.	
D546,573 S *	7/2007	Klaasen et al.	2011/0012395 A1	1/2011	Roslund et al.	
7,249,802 B2	7/2007	Schmitz et al.	2011/0198907 A1	8/2011	Masunaga et al.	
D550,975 S *	9/2007	Meda	2011/0248543 A1	10/2011	Hitchcock et al.	
7,270,378 B2	9/2007	Wilkerson et al.				
7,273,253 B2	9/2007	Deimen et al.				

OTHER PUBLICATIONS

Steelcase Please Chair Brochure.

* cited by examiner

FIG. 1



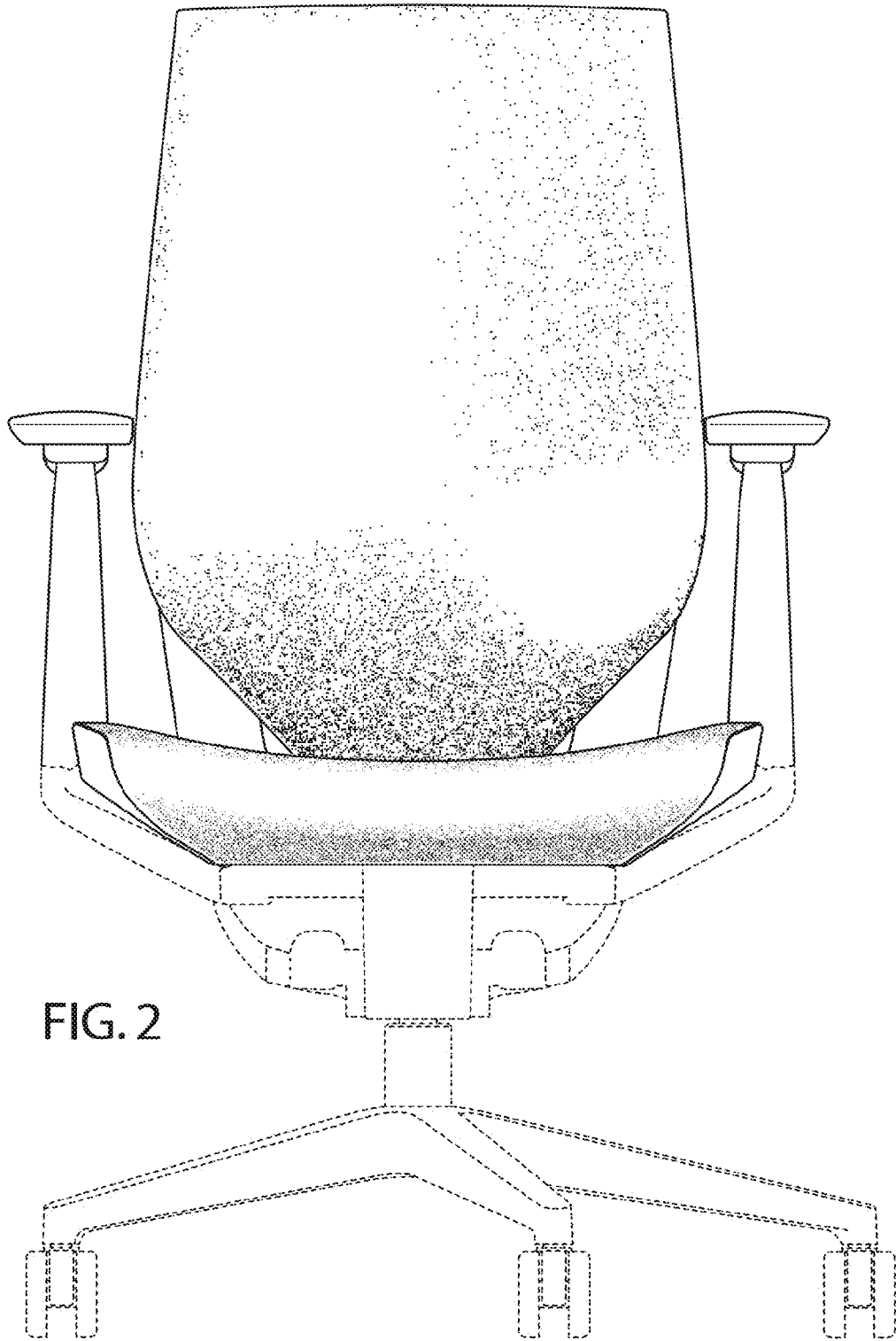
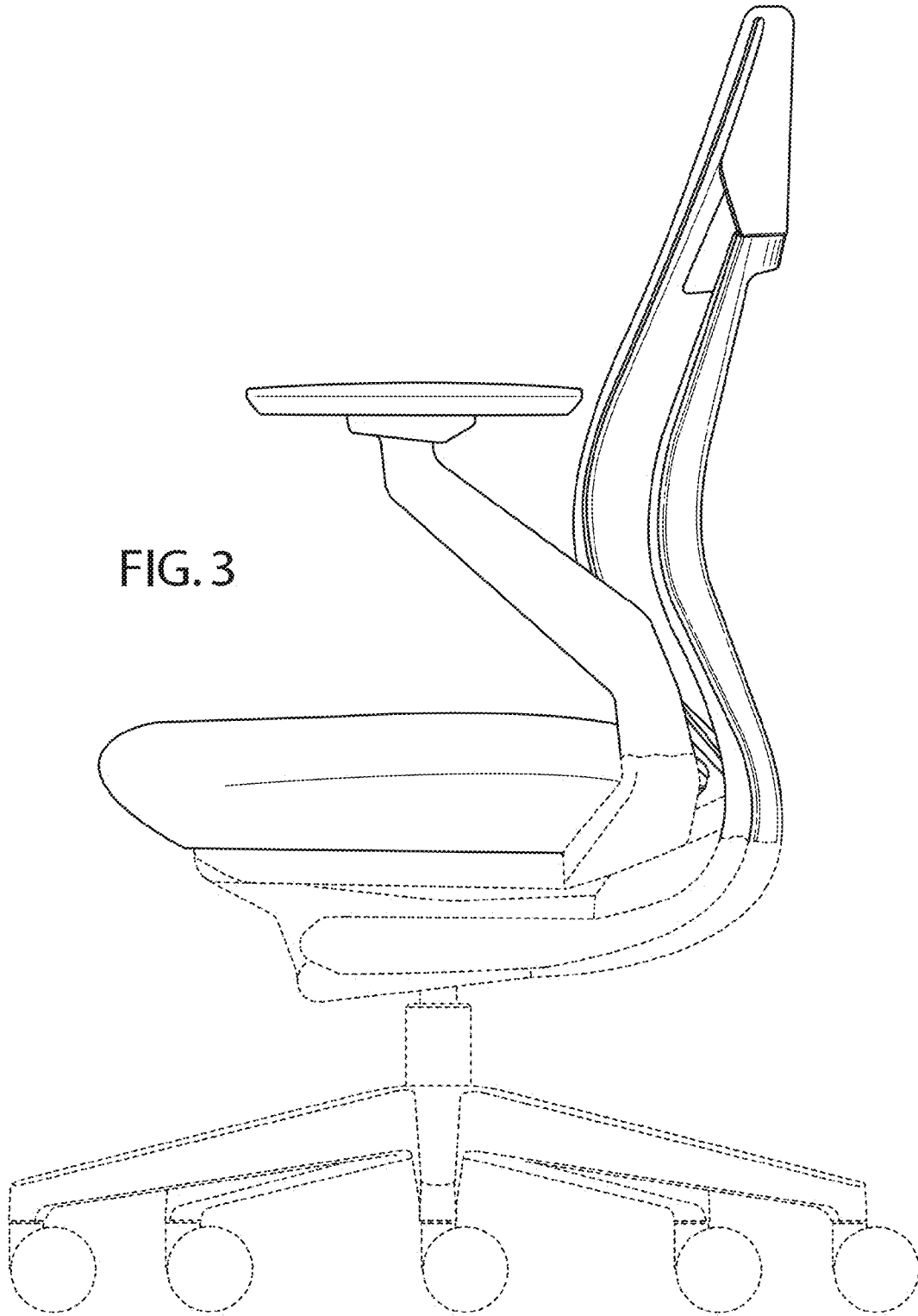


FIG. 2

FIG. 3



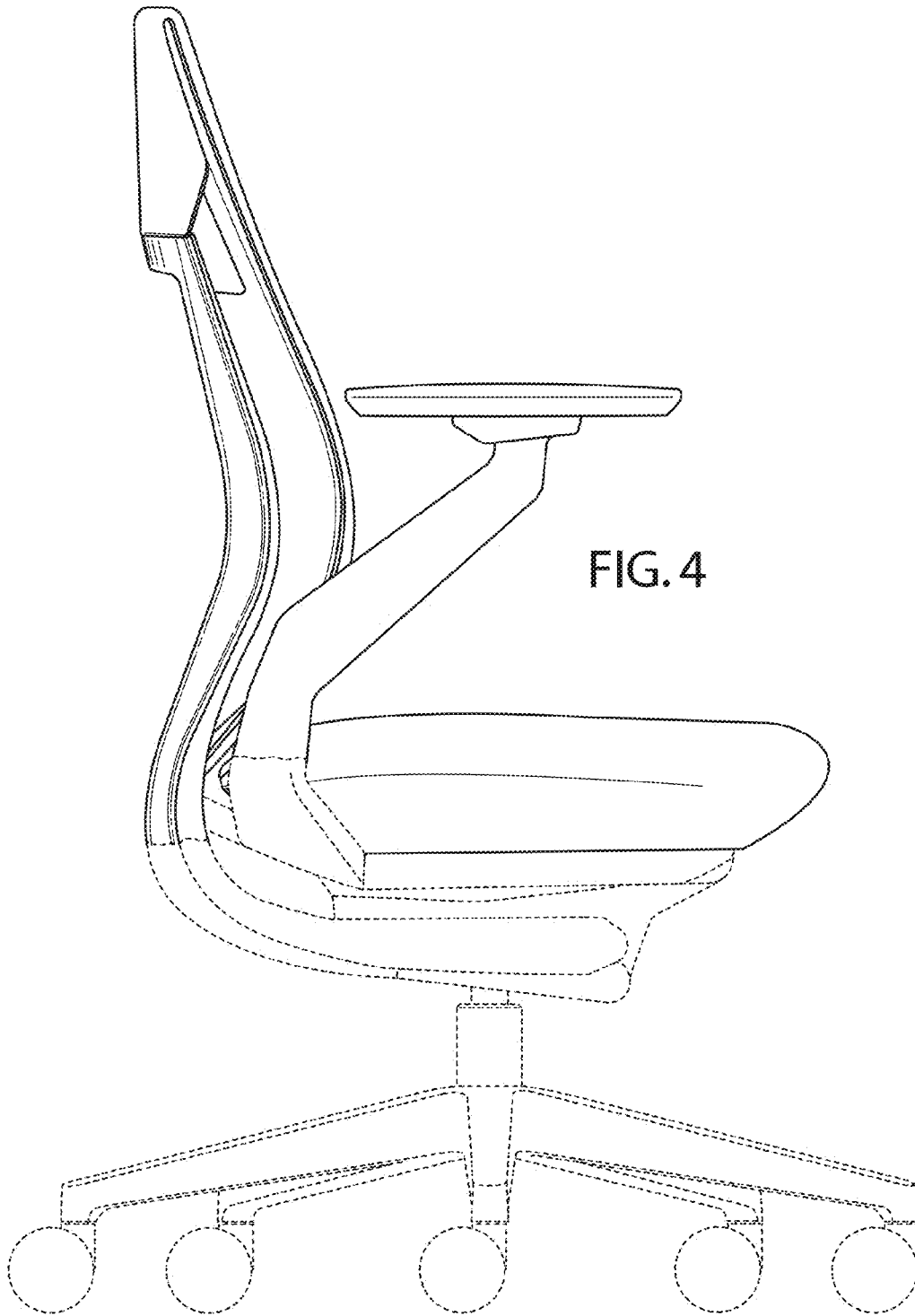


FIG. 4

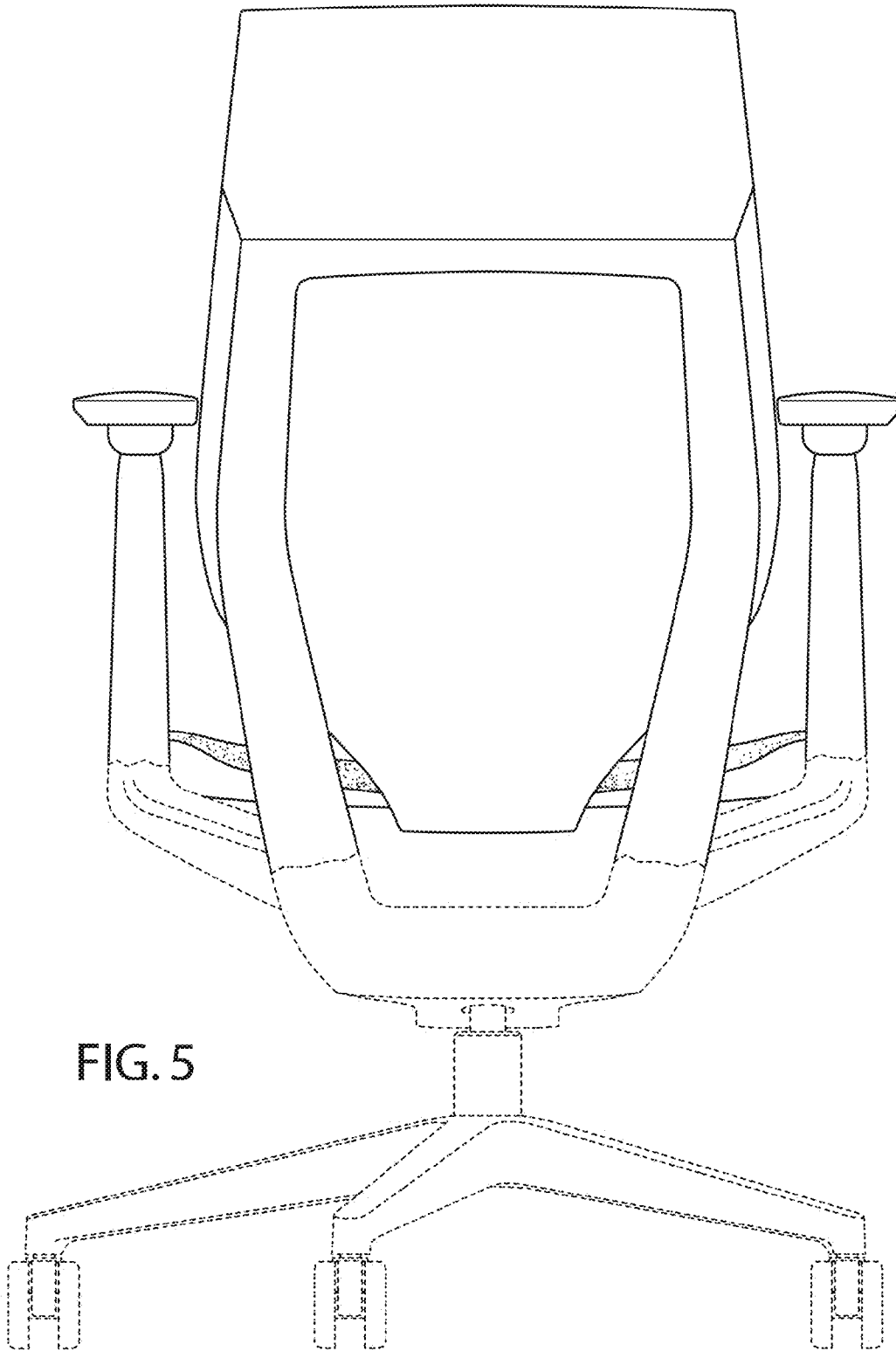


FIG. 5

FIG. 6

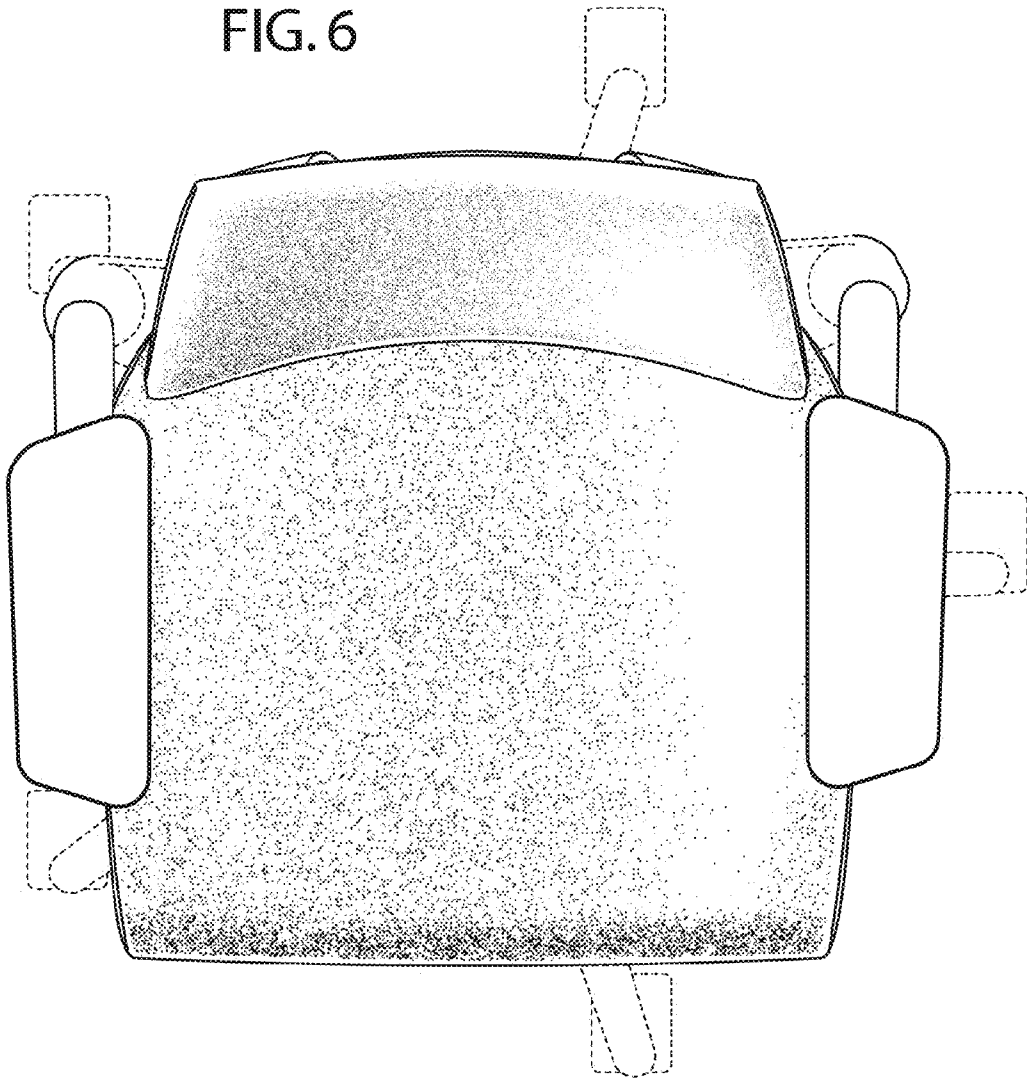


FIG. 7

