

(19) World Intellectual Property Organization
International Bureau



(43) International Publication Date
2 May 2008 (02.05.2008)

PCT

(10) International Publication Number
WO 2008/051893 A3

(51) **International Patent Classification:**
A62C 11/00 (2006.01)

(21) **International Application Number:**
PCT/US2007/082058

(22) **International Filing Date:** 22 October 2007 (22.10.2007)

(25) **Filing Language:** English

(26) **Publication Language:** English

(30) **Priority Data:**
11/551,830 23 October 2006 (23.10.2006) US

(71) **Applicant (for all designated States except US):** THE CLOROX COMPANY [US/US]; 1221 Broadway, Oakland, CA 94612 (US).

(72) **Inventors:** PIVONKA, Nicolas, L.; 4626 Standyard Court, Dublin, CA 94568 (US). HUITTQ, Daniel, Aaron; 26975 Grafton Street, Esparto, CA945627 (US).

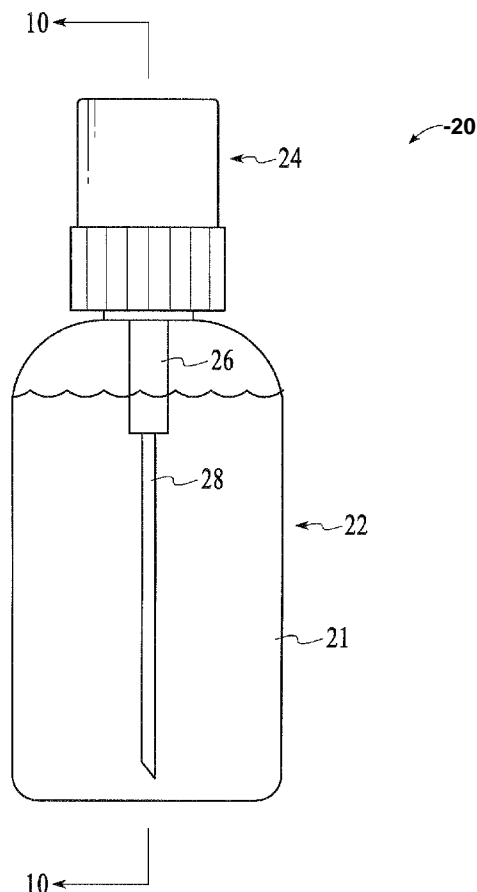
ITZKOWITZ, Laura; 125 Moss Avenue, #113, Oakland, CA 94611 (US). KENNEDY, Timothy, James; 1074 Santa Rita Road, Pleasanton, CA 94566 (US). O'CONNELL, Tami; 7391 Lemonwood Way, Pleasanton, CA 94588 (US). RUSSELL, Jodi Lynn; 37399 Cataline Court, Castro Valley, CA 94546 (US). ENGA, Agnete; 470 15th Street, Apt 2L, Brooklyn, NY 11215 (US). KIECHEL, John; 416 Dolores Street #4, San Francisco, CA 94110 (US). SHEPPARD, Nasahn; 170 Stanford Way, Mill Valley, CA 94941 (US).

(74) **Agents:** PETERSON, David et al.; The Clorox Company, P.O. Box 24305, Oakland, CA 94623-1305 (US).

(81) **Designated States (unless otherwise indicated, for every kind of national protection available):** AE, AG, AL, AM, AT, AU, AZ, BA, BB, BG, BH, BR, BW, BY, BZ, CA, CH, CN, CO, CR, CU, CZ, DE, DK, DM, DO, DZ, EC, EE, EG, ES, FI, GB, GD, GE, GH, GM, GT, HN, HR, HU, ID, IL, IN, IS, JP, KE, KG, KM, KN, KP, KR, KZ, LA, LC, LK, LR, LS, LT, LU, LY, MA, MD, ME, MG, MK, MN, MW, MX, MY, MZ, NA, NG, NI, NO, NZ, OM, PG, PH, PL,

[Continued on next page]

(54) **Title:** PUMP DISPENSER FOR USE WITH SUBSTRATES



(57) **Abstract:** A pump dispenser has a large ergonomic actuator designed to ergonomically deliver a composition to a substrate in the consumer's hand without the consumer having to pick up the pump dispenser. The ergonomic design allows the composition to be delivered in a proper aspect ratio to the substrate. The composition can be delivered in such a way that the composition is not aerosolized into the air or delivered to an unintended surface. The method of delivery can be made intuitive to the consumer by providing an actuator skirt that suggests the pumping mechanism or by providing a depiction of a hand or substrate over the pump dispenser. The pump dispenser is also useful for compositions or substrates that are not stable together.

WO 2008/051893 A3



PT, RO, RS, RU, SC, SD, SE, SG, SK, SL, SM, SV, SY,
TJ, TM, TN, TR, TT, TZ, UA, UG, US, UZ, VC, VN, ZA,
ZM, ZW.

FR, GB, GR, HU, IE, IS, IT, LT, LU, LV, MC, MT, NL, PL,
PT, RO, SE, SI, SK, TR), OAPI (BF, BJ, CF, CG, CI, CM,
GA, GN, GQ, GW, ML, MR, NE, SN, TD, TG).

(84) Designated States (*unless otherwise indicated, for every kind of regional protection available*): ARIPO (BW, GH, GM, KE, LS, MW, MZ, NA, SD, SL, SZ, TZ, UG, ZM, ZW), Eurasian (AM, AZ, BY, KG, KZ, MD, RU, TJ, TM), European (AT, BE, BG, CH, CY, CZ, DE, DK, EE, ES, FI,

Published:

— *with international search report*

(88) Date of publication of the international search report:
27 November 2008

INTERNATIONAL SEARCH REPORT

International application No.

PCT/US07/82058

A. CLASSIFICATION OF SUBJECT MATTER

IPC(8) - A62C 11/00 (2008.01)

USPC - 239/333

According to International Patent Classification (IPC) or to both national classification and IPC

B. FIELDS SEARCHED

Minimum documentation searched (classification system followed by classification symbols)

IPC(8) - A47L 1/00, 1/15, 13/10; B05B 11/00 (2008.01)
USPC - 15/257.05; 222/205, 321 .6, 385; 401/126, 127, 196

Documentation searched other than minimum documentation to the extent that such documents are included in the fields searched

Electronic data base consulted during the international search (name of data base and, where practicable, search terms used)

Patbase

C. DOCUMENTS CONSIDERED TO BE RELEVANT

Category*	Citation of document, with indication, where appropriate, of the relevant passages	Relevant to claim No.
Y	US 6,158,674 A (HUMPHREYS) 12 December 2000 (12.12.2000) entire document	1-21
Y	US 4,210,261 A (TRUJILLO et al.) 01 July 1980 (01.07.1980) entire document	1-20
Y	US 5,123,573 A (KUCHERER) 23 June 1992 (23.06.1992) entire document	5
Y	US 5,725,128 A (FOSTER) 10 March 1998 (10.03.1998) entire document	21

Further documents are listed in the continuation of Box C.

D

* Special categories of cited documents

"A" document defining the general state of the art which is not considered to be of particular relevance

"E" earlier application or patent but published on or after the international filing date

"L" document which may throw doubts on priority claim(s) or which is cited to establish the publication date of another citation or other special reason (as specified)

"O" document referring to an oral disclosure, use, exhibition or other means

"P" document published prior to the international filing date but later than the priority date claimed

"T" later document published after the international filing date or priority date and not in conflict with the application but cited to understand the principle or theory underlying the invention

"X" document of particular relevance; the claimed invention cannot be considered novel or cannot be considered to involve an inventive step when the document is taken alone

"Y" document of particular relevance; the claimed invention cannot be considered to involve an inventive step when the document is combined with one or more other such documents, such combination being obvious to a person skilled in the art

"&" document member of the same patent family

Date of the actual completion of the international search

23 February 2008

Date of mailing of the international search report

26 MAR 2008

Name and mailing address of the ISA/US
Mail Stop PCT, Attn: ISA/US, Commissioner for Patents
P.O. Box 1450, Alexandria, Virginia 22313-1450
Facsimile No. 571-273-3201

Authorized officer:

Blaine R. Copenheaver

PCT Helpdesk: 571-272-4300
PCT OSP: 571-272-7774