



US00D727764S

(12) **United States Design Patent**
Nothacker et al.

(10) **Patent No.:** **US D727,764 S**

(45) **Date of Patent:** **** Apr. 28, 2015**

(54) **BREATHALYZER**

(71) Applicant: **KHN Solutions, Inc.**, San Francisco, CA (US)

(72) Inventors: **Keith Harry Nothacker**, San Francisco, CA (US); **Imraan Aziz**, Oakland, CA (US); **Michael Jurgen Strasser**, San Francisco, CA (US); **Pauline Anne Basaran**, Corte Madera, CA (US); **Stacey Ilene Rettus**, Greenbrae, CA (US)

(73) Assignee: **KHN Solutions, Inc.**, San Francisco, CA (US)

(**) Term: **14 Years**

(21) Appl. No.: **29/501,849**

(22) Filed: **Sep. 9, 2014**

(51) **LOC (10) Cl.** **10-04**

(52) **U.S. Cl.**
USPC **D10/81**

(58) **Field of Classification Search**

CPC A61B 5/083; A61B 5/087; A61B 5/0833; A61B 5/091; A61B 5/222; A61B 5/0002; A61B 5/02438; A61B 5/08; G01N 33/497; G01N 33/4972; G01N 33/483; G01N 33/98; G10L 17/00; Y10S 436/90
USPC D10/78, 81; D24/216, 232-234; 73/1.01, 1.02-1.08, 1.16, 19.01-19.02, 73/23.2-23.27, 23.35-24.01, 52, 53.01, 73/61.52-61.61, 864.21, 431, 864.73, 73/31.03, 31.05, 866.5, 864.84, 864.23, 73/61.55, 863.01, 866, 864.62; 204/253, 204/400, 403.01, 403.02, 403.04, 403.05, 204/403.1, 403.11, 403.14; 205/775, 777.5, 205/778, 792; 210/656-660, 198.2, 635, 210/101, 103; 250/252.1, 251, 25, 250/281-300, 305, 336.1, 338.1, 338.5, 250/339.07, 339.13, 343, 349, 239, 910; 356/446, 246, 301-337, 451, 72, 73; 422/50-53, 62-82, 83-98, 239.2, 400, 422/401, 404; 435/4, 283.1-284.1, 286.5, 435/287.1, 287.2, 806, 13, 14, 287.4, 287.7, 435/287.94, 6.18; 436/43-54, 68, 900, 514, 436/530, 95; 600/300, 301, 309, 322, 345, 600/347, 365, 393, 578, 583, 584, 532, 600/543; 604/207, 503, 65, 66, 67, 182; 702/19, 40; 221/65, 135; 235/451, 235/422.01; 95/87; 96/101, 106; 366/286, 366/207

See application file for complete search history.

(56) **References Cited**

U.S. PATENT DOCUMENTS

4,487,055 A 12/1984 Wolf
4,749,553 A * 6/1988 Lopez et al. 422/84

(Continued)

Primary Examiner — Antoine D Davis

(74) *Attorney, Agent, or Firm* — Jeffrey Schox; Ivan Wong

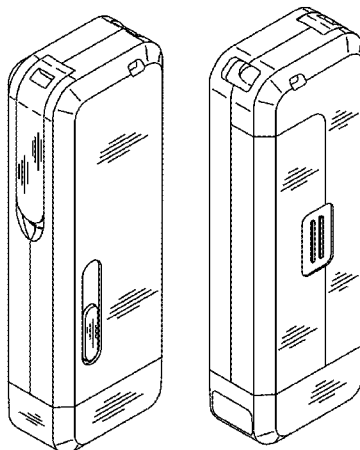
(57) **CLAIM**

We claim the ornamental design for a breathalyzer, as shown and described.

DESCRIPTION

FIG. 1 is an isometric view, from the front right, of the breathalyzer in a first configuration;
FIG. 2 is an isometric view, from the back left, of the breathalyzer in the first configuration;
FIG. 3 is a plan view of the top of the breathalyzer the first configuration;
FIG. 4 is an elevation view of the right side of the breathalyzer the first configuration;
FIG. 5 is an elevation view of the back of the breathalyzer the first configuration;
FIG. 6 is an elevation view of the left side of the breathalyzer the first configuration;
FIG. 7 is an elevation view of the front of the breathalyzer the first configuration;
FIG. 8 is a plan view of the bottom of the breathalyzer the first configuration;
FIG. 9 is an isometric view, from the front right, of the breathalyzer in a second configuration;
FIG. 10 is an isometric view, from the back left, of the breathalyzer in the second configuration;
FIG. 11 is a plan view of the top of the breathalyzer in the second configuration;
FIG. 12 is an elevation view of the right side of the breathalyzer in the second configuration;
FIG. 13 is an elevation view of the back of the breathalyzer in the second configuration;
FIG. 14 is an elevation view of the left side of the breathalyzer in the second configuration;
FIG. 15 is an elevation view of the front of the breathalyzer in the second configuration; and,
FIG. 16 is a plan view of the bottom of the breathalyzer in the second configuration.

1 Claim, 6 Drawing Sheets



(56)

References Cited

U.S. PATENT DOCUMENTS

4,996,161 A 2/1991 Conners et al.
 D333,441 S 2/1993 Greene
 D362,642 S 9/1995 Howse
 D381,885 S 8/1997 Lane
 6,454,723 B1 9/2002 Montagnino
 6,608,399 B2 * 8/2003 McConnell et al. 307/10.1
 6,824,520 B2 11/2004 Orr et al.
 6,899,683 B2 5/2005 Mault et al.
 D521,885 S 5/2006 Eddy et al.
 D530,424 S 10/2006 Manser et al.

D539,683 S 4/2007 Shaw et al.
 D539,684 S 4/2007 Kitamura et al.
 D586,677 S * 2/2009 Nothacker et al. D10/81
 D606,434 S * 12/2009 Castrodale et al. D10/81
 8,040,233 B2 * 10/2011 Adappa et al. 340/522
 8,453,492 B2 * 6/2013 Tsuzuki et al. 73/23.3
 8,814,804 B2 * 8/2014 Walden et al. 600/532
 2006/0217625 A1 9/2006 Forrester
 2007/0093725 A1 4/2007 Shaw
 2007/0144812 A1 6/2007 Stewart et al.
 2010/0234064 A1 9/2010 Harris, Jr.
 2011/0304465 A1 12/2011 Boulton et al.

* cited by examiner

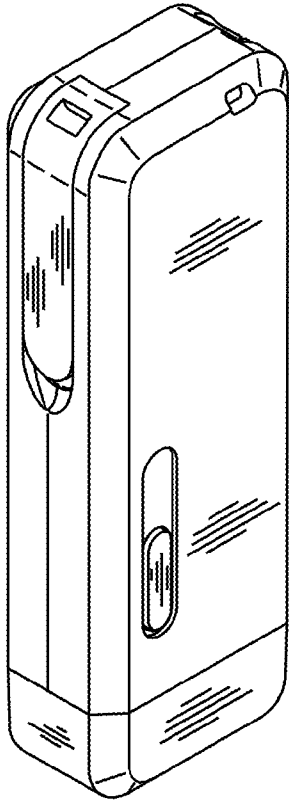


FIG. 1

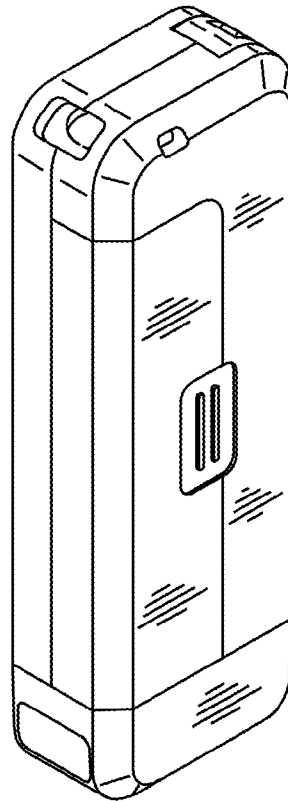


FIG. 2

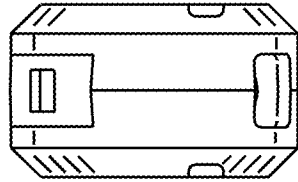


FIG. 3

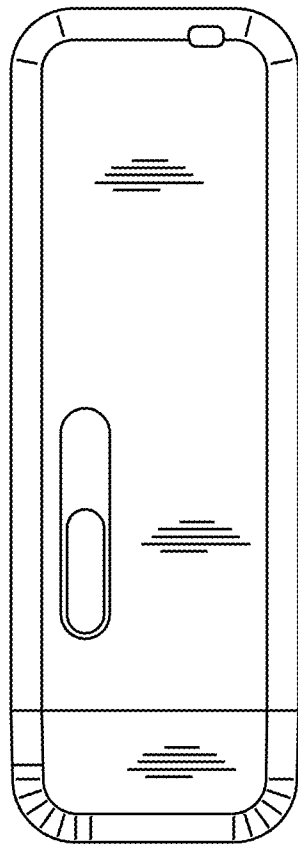


FIG. 4

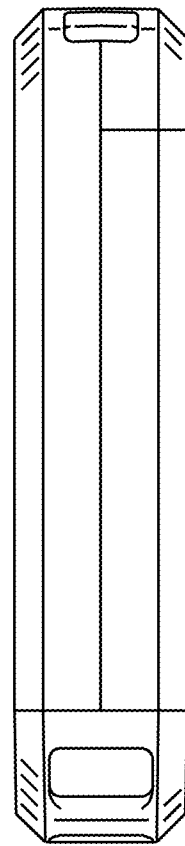


FIG. 5

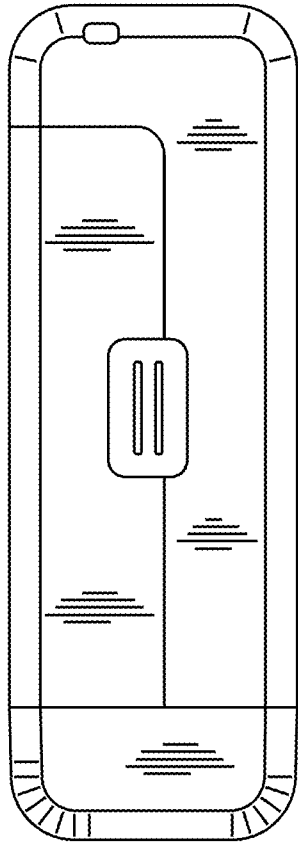


FIG. 6

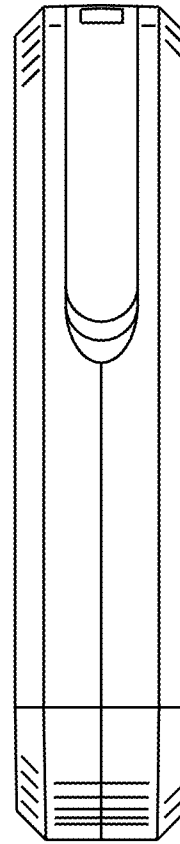


FIG. 7

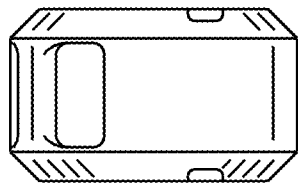


FIG. 8

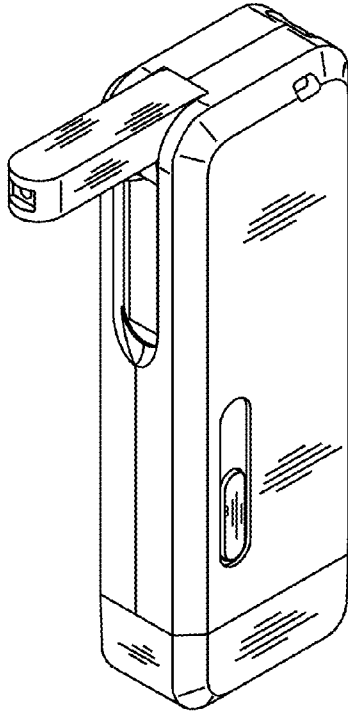


FIG. 9

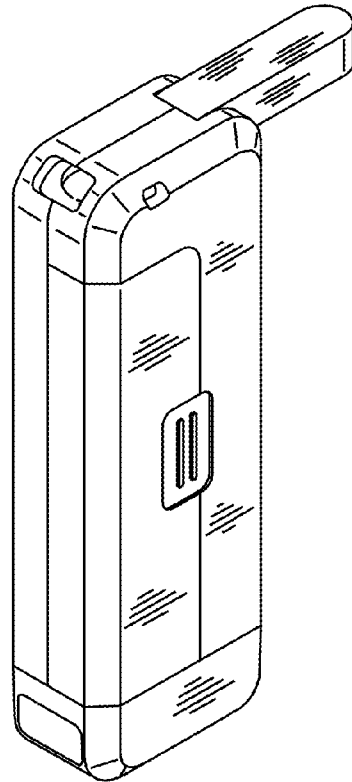


FIG. 10

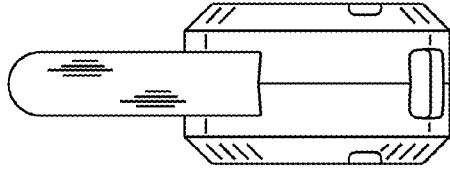


FIG. 11

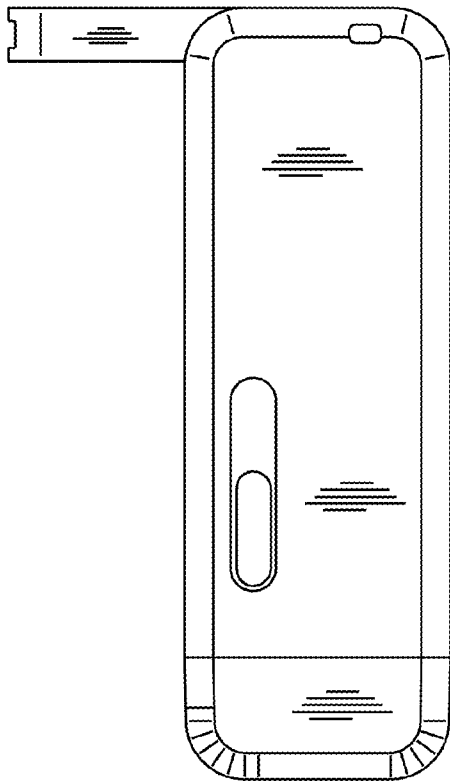


FIG. 12

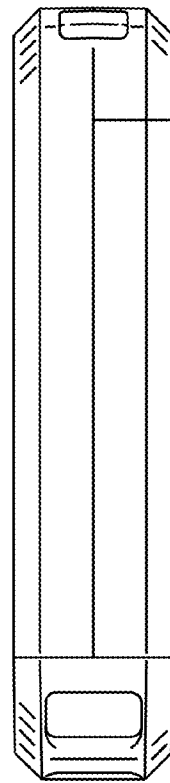


FIG. 13

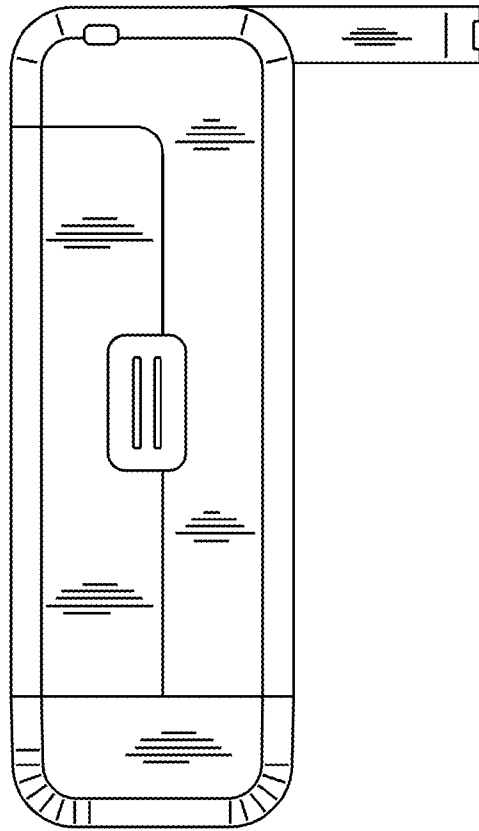


FIG. 14

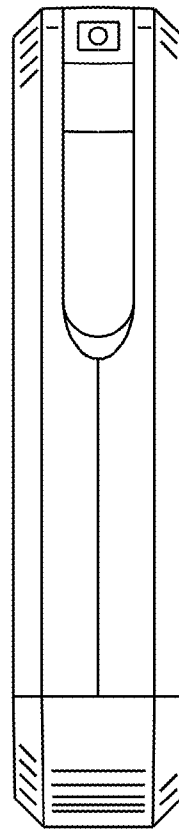


FIG. 15

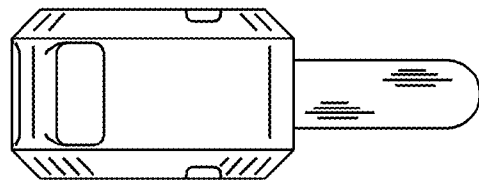


FIG. 16