

(19) World Intellectual Property Organization
International Bureau



(43) International Publication Date
18 March 2004 (18.03.2004)

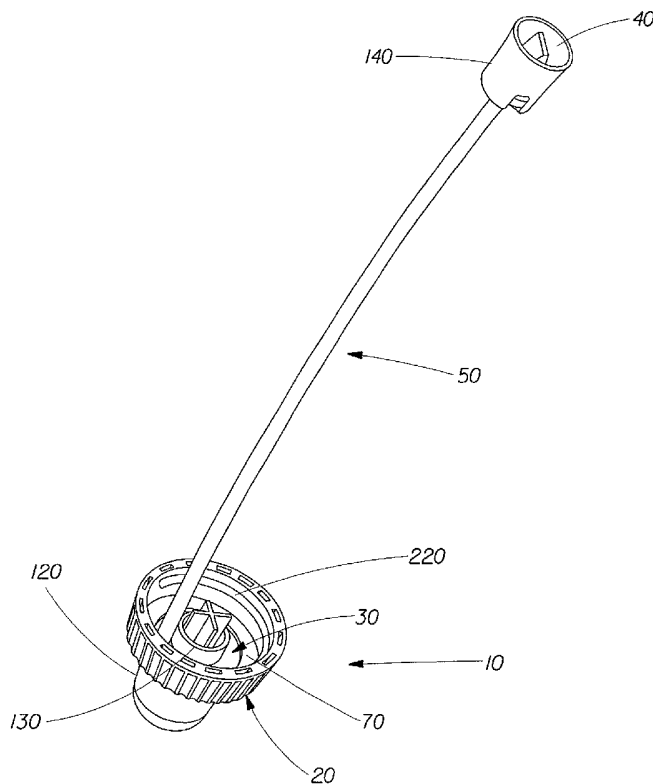
PCT

(10) International Publication Number
WO 2004/021850 A3

- (51) International Patent Classification⁷: A47L 13/00, (72) Inventors: HOFTE, Paulus, Antonius, Augustinus; Kortrijkse Steenweg 20, B-9830 Sint Martens Latem (BE). SPOONER, Gregory, Clegg; Flat 17a No. 46, Robinson Road, Hong Kong (CN). CURTIS, Terence, Graham; 7 Bay Tree Close, Loudwater, High Wycombe, Buckinghamshire HP11 1JN (GB). VONG, Hoss; Room 504 Block H, Sui Wo Court, Fotan, Hong Kong (CN). NAGEL, Phillip, Gene; 7385 Fire Plcae Court, West Chester, OH 45069 (US).
- (21) International Application Number: PCT/US2003/028175
- (22) International Filing Date: 9 September 2003 (09.09.2003)
- (25) Filing Language: English
- (26) Publication Language: English
- (30) Priority Data: 60/409,263 9 September 2002 (09.09.2002) US
- (74) Agents: REED, David, T. et al.; The Procter & Gamble Company, 6110 Center Hill Rd., Cincinnati, OH 45224 (US).
- (81) Designated States (national): AE, AG, AL, AM, AT (utility model), AT, AU, AZ, BA, BB, BG, BR, BY, BZ, CA, CH, CN, CO, CR, CU, CZ (utility model), CZ, DE (utility model), DE, DK (utility model), DK, DM, DZ, EC, EE (utility model), EE, EG, ES, FI (utility model), FI, GB, GD, GE, GH, GM, HR, HU, ID, IL, IN, IS, JP, KE, KG, KP, KR, KZ, LC, LK, LR, LS, LT, LU, LV, MA, MD, MG, MK, MN,
- (71) Applicant: THE PROCTER & GAMBLE COMPANY [US/US]; One Procter & Gamble Plaza, Cincinnati, OH 45202 (US).

[Continued on next page]

(54) Title: FLUID DELIVERY MECHANISM



(57) Abstract: The present invention provides a fluid transfer fitment (10) for controllably retaining a fluid in a reservoir in a leak-tight manner. This fluid transfer fitment can be used with a variety of fluid delivery mechanisms. The fluid transfer fitment has a cap portion (20, 30), an engaging segment (120), a fluid transfer check valve (80) and a vent check valve (40). The fluid transfer check valve of the fitment is located within the engaging segment of the fitment. The present invention also provides fluid delivery mechanisms (12), which can be used with a cleaning implement (5). The fluid delivery mechanisms can be used with a fitment (10) having a cap portion (20, 30), an engaging segment (120) and a fluid transfer check valve (80).

WO 2004/021850 A3



MW, MX, MZ, NI, NO, NZ, OM, PG, PH, PL, PT, RO, RU, SC, SD, SE, SG, SK (utility model), SK, SL, SY, TJ, TM, TN, TR, TT, TZ, UA, UG, UZ, VC, VN, YU, ZA, ZM, ZW.

(84) Designated States (regional): ARIPO patent (GH, GM, KE, LS, MW, MZ, SD, SL, SZ, TZ, UG, ZM, ZW), Eurasian patent (AM, AZ, BY, KG, KZ, MD, RU, TJ, TM), European patent (AT, BE, BG, CH, CY, CZ, DE, DK, EE, ES, FI, FR, GB, GR, HU, IE, IT, LU, MC, NL, PT, RO, SE, SI, SK, TR), OAPI patent (BF, BJ, CF, CG, CI, CM, GA, GN, GQ, GW, ML, MR, NE, SN, TD, TG).

Published:

- *with international search report*
- *before the expiration of the time limit for amending the claims and to be republished in the event of receipt of amendments*

(88) Date of publication of the international search report:

29 April 2004

For two-letter codes and other abbreviations, refer to the "Guidance Notes on Codes and Abbreviations" appearing at the beginning of each regular issue of the PCT Gazette.

INTERNATIONAL SEARCH REPORT

International Application No

PCT/US 03/28175

A. CLASSIFICATION OF SUBJECT MATTER
 IPC 7 A47L13/00 B67D3/00 A47L13/30 A47L13/22

According to International Patent Classification (IPC) or to both national classification and IPC

B. FIELDS SEARCHED

Minimum documentation searched (classification system followed by classification symbols)

IPC 7 A47L B67D

Documentation searched other than minimum documentation to the extent that such documents are included in the fields searched

Electronic data base consulted during the international search (name of data base and, where practical, search terms used)

EPO-Internal

C. DOCUMENTS CONSIDERED TO BE RELEVANT

Category *	Citation of document, with indication, where appropriate, of the relevant passages	Relevant to claim No.
X	US 3 802 606 A (GUST R) 9 April 1974 (1974-04-09) column 2, line 24 - column 3, line 34; figures 1,2,4	1,2
Y	-----	3-5
Y	US 6 206 058 B1 (ATKINSON GORDON EDGAR ET AL) 27 March 2001 (2001-03-27) cited in the application column 2, line 24 - column 3, line 34; figures 1,2,4	3
Y	----- EP 1 075 817 A (BISCHOF VOLKER ; LEDERER ROLAND (DE)) 14 February 2001 (2001-02-14) column 3, line 48 - line 52; figures 1-3 ----- -/--	4,5

Further documents are listed in the continuation of box C.

Patent family members are listed in annex.

* Special categories of cited documents :

"A" document defining the general state of the art which is not considered to be of particular relevance

"E" earlier document but published on or after the international filing date

"L" document which may throw doubts on priority claim(s) or which is cited to establish the publication date of another citation or other special reason (as specified)

"O" document referring to an oral disclosure, use, exhibition or other means

"P" document published prior to the international filing date but later than the priority date claimed

"T" later document published after the international filing date or priority date and not in conflict with the application but cited to understand the principle or theory underlying the invention

"X" document of particular relevance; the claimed invention cannot be considered novel or cannot be considered to involve an inventive step when the document is taken alone

"Y" document of particular relevance; the claimed invention cannot be considered to involve an inventive step when the document is combined with one or more other such documents, such combination being obvious to a person skilled in the art.

"&" document member of the same patent family

Date of the actual completion of the international search

2 December 2003

Date of mailing of the international search report

12.03.2004

Name and mailing address of the ISA

European Patent Office, P.B. 5818 Patentlaan 2
 NL - 2280 HV Rijswijk
 Tel. (+31-70) 340-2040, Tx. 31 651 epo nl,
 Fax: (+31-70) 340-3016

Authorized officer

Papadimitriou, S

INTERNATIONAL SEARCH REPORT

International application No.
PCT/US 03/28175

Box I Observations where certain claims were found unsearchable (Continuation of item 1 of first sheet)

This International Search Report has not been established in respect of certain claims under Article 17(2)(a) for the following reasons:

1. Claims Nos.:
because they relate to subject matter not required to be searched by this Authority, namely:

2. Claims Nos.:
because they relate to parts of the International Application that do not comply with the prescribed requirements to such an extent that no meaningful International Search can be carried out, specifically:

3. Claims Nos.:
because they are dependent claims and are not drafted in accordance with the second and third sentences of Rule 6.4(a).

Box II Observations where unity of invention is lacking (Continuation of item 2 of first sheet)

This International Searching Authority found multiple inventions in this international application, as follows:

see additional sheet

1. As all required additional search fees were timely paid by the applicant, this International Search Report covers all searchable claims.

2. As all searchable claims could be searched without effort justifying an additional fee, this Authority did not invite payment of any additional fee.

3. As only some of the required additional search fees were timely paid by the applicant, this International Search Report covers only those claims for which fees were paid, specifically claims Nos.:

4. No required additional search fees were timely paid by the applicant. Consequently, this International Search Report is restricted to the invention first mentioned in the claims; it is covered by claims Nos.:

1-5

Remark on Protest

- The additional search fees were accompanied by the applicant's protest.
- No protest accompanied the payment of additional search fees.

FURTHER INFORMATION CONTINUED FROM PCT/ISA/ 210

This International Searching Authority found multiple (groups of) inventions in this international application, as follows:

1. claims: 1-5

fluid transfer fitment

2. claims: 6-13

fluid delivery mechanism

3. claims: 14-19

fluid connecting mechanism for a cleaning implement

4. claim: 20

Mechanism for transferring fluid from a reservoir to an external environment

INTERNATIONAL SEARCH REPORT

International Application No

PCT/US 03/28175

C.(Continuation) DOCUMENTS CONSIDERED TO BE RELEVANT

Category °	Citation of document, with indication, where appropriate, of the relevant passages	Relevant to claim No.
X	DE 11 53 497 B (EMIL KOCK) 29 August 1963 (1963-08-29) column 1, paragraph 5 - column 2, paragraph 1; figure 1 -----	1,2
X	US 6 386 392 B1 (ARGENTIERI ANDREA ET AL) 14 May 2002 (2002-05-14) cited in the application figures 1A-1C -----	1,2
X	US 5 732 853 A (GANZEBOOM WILHELMUS EVERHARDUS ET AL) 31 March 1998 (1998-03-31) figure 3 -----	1,2
X	GB 555 197 A (ALBERT GEORGE BERWICK;NON DRIP MEASURE COMPANY LTD) 10 August 1943 (1943-08-10) figures 1,2 -----	1
A	US 5 875 921 A (OSGAR MICHAEL L ET AL) 2 March 1999 (1999-03-02) figures 3,7 -----	2,3
A	EP 1 180 343 A (AVET AG) 20 February 2002 (2002-02-20) figures 1,3 -----	2

INTERNATIONAL SEARCH REPORT

Information on patent family members

International Application No

PCT/US 03/28175

Patent document cited in search report	Publication date	Patent family member(s)	Publication date
US 3802606	A	09-04-1974 NONE	
<hr style="border-top: 1px dashed black;"/>			
US 6206058	B1	27-03-2001	
		AU 1710800 A	29-05-2000
		AU 1816200 A	29-05-2000
		BR 9915162 A	14-08-2001
		CA 2348444 A1	18-05-2000
		CA 2349726 A1	18-05-2000
		CA 2446440 A1	18-05-2000
		CN 1325363 T	05-12-2001
		DE 29924439 U1	03-04-2003
		EP 1129025 A1	05-09-2001
		EP 1146809 A2	24-10-2001
		JP 2002529329 T	10-09-2002
		US 2003095826 A1	22-05-2003
		US 2003133740 A1	17-07-2003
		US 2003126709 A1	10-07-2003
		US 2003126710 A1	10-07-2003
		US 2003034050 A1	20-02-2003
		WO 0027746 A1	18-05-2000
		WO 0027271 A2	18-05-2000
		US 2002162602 A1	07-11-2002
		US 2003034084 A1	20-02-2003
		US 2003194259 A1	16-10-2003
		US 2004007287 A1	15-01-2004
		US 2001013381 A1	16-08-2001
<hr style="border-top: 1px dashed black;"/>			
EP 1075817	A	14-02-2001	
		DE 19937319 C1	22-02-2001
		EP 1075817 A2	14-02-2001
<hr style="border-top: 1px dashed black;"/>			
DE 1153497	B	29-08-1963	NONE
<hr style="border-top: 1px dashed black;"/>			
US 6386392	B1	14-05-2002	
		EP 1106567 A1	13-06-2001
		US 6321941 B1	27-11-2001
		AT 234789 T	15-04-2003
		AU 6388300 A	05-03-2001
		CA 2313285 A1	05-02-2001
		DE 20080105 U1	03-05-2001
		DE 60001697 D1	24-04-2003
		DE 60001697 T2	12-02-2004
		EP 1078880 A1	28-02-2001
		GB 2362153 A	14-11-2001
		JP 2003506287 T	18-02-2003
		WO 0110768 A1	15-02-2001
		US 6685056 B1	03-02-2004
		AU 2055601 A	12-06-2001
		AU 5477300 A	12-06-2001
		CA 2308130 A1	01-06-2001
		CA 2313289 A1	01-06-2001
		DE 69900760 D1	28-02-2002
		DE 69900760 T2	22-08-2002
		EP 1106566 A1	13-06-2001
		EP 1237814 A1	11-09-2002
		FR 2802512 A1	22-06-2001
		JP 2001163382 A	19-06-2001
		JP 2003515403 T	07-05-2003
		NL 1016813 C1	07-06-2002
		TR 200201453 T2	21-10-2002
		TW 460335 B	21-10-2001

INTERNATIONAL SEARCH REPORT

Information on patent family members

International Application No

PCT/US 03/28175

Patent document cited in search report	Publication date	Patent family member(s)	Publication date	
US 6386392	B1	WO 0140100 A1	07-06-2001	
		WO 0140102 A1	07-06-2001	
		US 2002066747 A1	06-06-2002	
		ZA 200203665 A	08-08-2003	
		ZA 200203666 A	08-08-2003	
		AU 7716300 A	30-04-2001	
		CA 2384857 A1	05-04-2001	
		EP 1215988 A2	26-06-2002	
		JP 2003510118 T	18-03-2003	
		WO 0122861 A2	05-04-2001	
		US 2001046407 A1	29-11-2001	
		US 2003095826 A1	22-05-2003	
		US 2003133740 A1	17-07-2003	
		US 2003126709 A1	10-07-2003	
		US 2003126710 A1	10-07-2003	
		US 2002168216 A1	14-11-2002	
		US 2002166573 A1	14-11-2002	
		US 2003034050 A1	20-02-2003	
		US 2003074756 A1	24-04-2003	
US 5732853	A	31-03-1998	NL 9201919 A	01-06-1994
			AT 157228 T	15-09-1997
			AU 678791 B2	12-06-1997
			AU 5577294 A	24-05-1994
			BR 9307367 A	08-09-1999
			CA 2148364 A1	11-05-1994
			DE 69313459 D1	02-10-1997
			DE 69313459 T2	02-01-1998
			EP 0670691 A1	13-09-1995
			ES 2108413 T3	16-12-1997
			JP 8502431 T	19-03-1996
			WO 9410119 A1	11-05-1994
GB 555197	A	10-08-1943	NONE	
US 5875921	A	02-03-1999	EP 0972173 A1	19-01-2000
			JP 2001522338 T	13-11-2001
			WO 9840703 A1	17-09-1998
EP 1180343	A	20-02-2002	DE 10040014 A1	07-03-2002
			EP 1180343 A2	20-02-2002