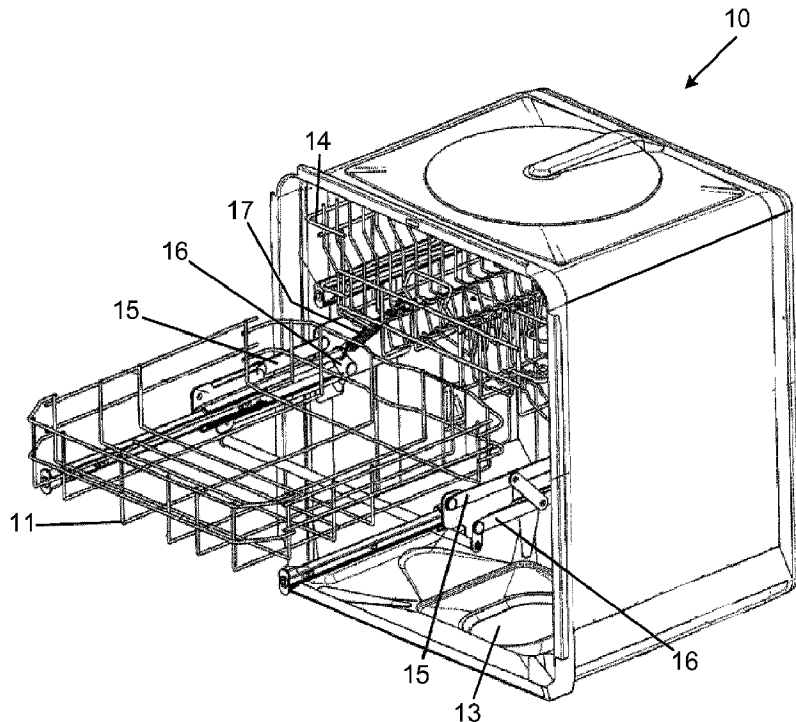




(86) Date de dépôt PCT/PCT Filing Date: 2015/05/22
 (87) Date publication PCT/PCT Publication Date: 2016/12/01
 (45) Date de délivrance/Issue Date: 2022/07/12
 (85) Entrée phase nationale/National Entry: 2017/09/18
 (86) N° demande PCT/PCT Application No.: EP 2015/061427
 (87) N° publication PCT/PCT Publication No.: 2016/188554

(51) Cl.Int./Int.Cl. *A47L 15/50* (2006.01),
A47B 88/60 (2017.01)
 (72) Inventeurs/Inventors:
ROOS, MATTEUS, SE;
KALLBERG, PER, SE;
JOSEFSSON, ERIK, SE
 (73) Propriétaire/Owner:
ELECTROLUX APPLIANCES AKTIEBOLAG, SE
 (74) Agent: SMART & BIGGAR LLP

(54) Titre : MECANISME DE DEVERROUILLAGE D'UN PANIER INFERIEUR D'UN LAVE-VAISSELLE VERROUILLE A UNE POSITION SUPERIEURE
 (54) Title: MECHANISM FOR UNLOCKING AN ELEVATED LOWER RACK OF A DISHWASHER



(57) **Abrégé/Abstract:**

The invention relates to a mechanism for unlocking an elevated lower rack in a dishwasher. The mechanism for unlocking an elevated lower rack is provided in an arrangement for a dishwasher (10) being capable of elevating the lower rack (11) from a lower

(57) **Abrégé(suite)/Abstract(continued):**

position to an upper position and locking the elevated lower rack in the upper position. The elevating arrangement comprises a spring loaded pivot arm arrangement (12) to be attached in one end to a tub (13) of the dishwasher and in another end to the lower rack (11) for elevating the lower rack (11) from the lower position inside the tub to the upper position at least partially outside the tub. The elevating arrangement further comprises a locking mechanism (21) arranged between the spring loaded pivot arm arrangement (12) and the lower rack (11) and configured to lock the spring loaded pivot arm arrangement when the lower rack has been elevated to the upper position, thereby fixing the lower rack in the upper position. The mechanism for unlocking the elevated lower rack (11) is characterized in comprising a lever (20) extending from a front of the lower rack (11) along each side of the lower rack to the locking mechanism (21) being located at a respective side of the rack (11), wherein user operation of the lever (20) at the front of the elevated lower rack causes a respective end of the lever to act on the locking mechanism (21) located at the respective side of the rack to unlock the elevated lower rack (11) such that it can be lowered into its lower position.

(12) INTERNATIONAL APPLICATION PUBLISHED UNDER THE PATENT COOPERATION TREATY (PCT)

(19) World Intellectual Property
Organization
International Bureau(10) International Publication Number
WO 2016/188554 A1(43) International Publication Date
1 December 2016 (01.12.2016)(51) International Patent Classification:
A47L 15/50 (2006.01)(21) International Application Number:
PCT/EP2015/061427(22) International Filing Date:
22 May 2015 (22.05.2015)

(25) Filing Language: English

(26) Publication Language: English

(71) Applicant: ELECTROLUX APPLIANCES AK-
TIEBOLAG [SE/SE]; S:t Göransgatan 143, 105 45 Stock-
holm (SE).(72) Inventors: ROOS, Matteus; c/o AB Electrolux, S:t
Göransgatan 143, S-10545 Stockholm (SE). KÄLLBERG,
Per; c/o AB Electrolux, S:t Göransgatan 143, S-10545
Stockholm (SE). JOSEFSSON, Erik; c/o AB Electrolux,
S:t Göransgatan 143, S-10545 Stockholm (SE).(74) Agent: LAURIN, Magnus; S:t Göransgatan 143, 10545
Stockholm (SE).(81) Designated States (unless otherwise indicated, for every
kind of national protection available): AE, AG, AL, AM,AO, AT, AU, AZ, BA, BB, BG, BH, BN, BR, BW, BY,
BZ, CA, CH, CL, CN, CO, CR, CU, CZ, DE, DK, DM,
DO, DZ, EC, EE, EG, ES, FI, GB, GD, GE, GH, GM, GT,
HN, HR, HU, ID, IL, IN, IR, IS, JP, KE, KG, KN, KP, KR,
KZ, LA, LC, LK, LR, LS, LU, LY, MA, MD, ME, MG,
MK, MN, MW, MX, MY, MZ, NA, NG, NI, NO, NZ, OM,
PA, PE, PG, PH, PL, PT, QA, RO, RS, RU, RW, SA, SC,
SD, SE, SG, SK, SL, SM, ST, SV, SY, TH, TJ, TM, TN,
TR, TT, TZ, UA, UG, US, UZ, VC, VN, ZA, ZM, ZW.(84) Designated States (unless otherwise indicated, for every
kind of regional protection available): ARIPO (BW, GH,
GM, KE, LR, LS, MW, MZ, NA, RW, SD, SL, ST, SZ,
TZ, UG, ZM, ZW), Eurasian (AM, AZ, BY, KG, KZ, RU,
TJ, TM), European (AL, AT, BE, BG, CH, CY, CZ, DE,
DK, EE, ES, FI, FR, GB, GR, HR, HU, IE, IS, IT, LT, LU,
LV, MC, MK, MT, NL, NO, PL, PT, RO, RS, SE, SI, SK,
SM, TR), OAPI (BF, BJ, CF, CG, CI, CM, GA, GN, GQ,
GW, KM, ML, MR, NE, SN, TD, TG).

Published:

— with international search report (Art. 21(3))

(54) Title: MECHANISM FOR UNLOCKING AN ELEVATED LOWER RACK OF A DISHWASHER

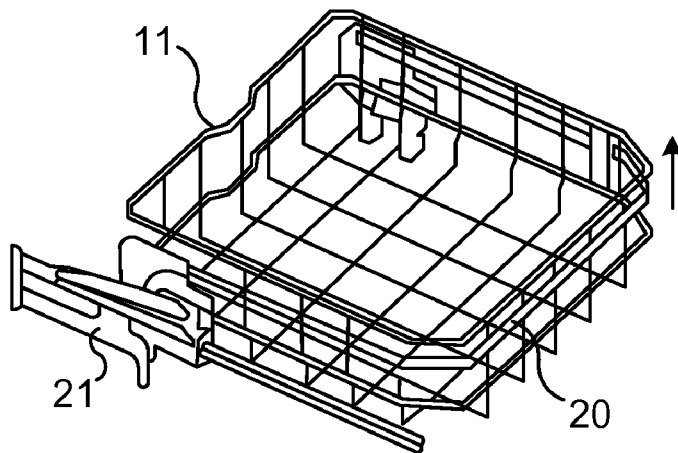


Fig. 5

(57) Abstract: The invention relates to a mechanism for unlocking an elevated lower rack in a dishwasher. The mechanism for unlocking an elevated lower rack is provided in an arrangement for a dishwasher (10) being capable of elevating the lower rack (11) from a lower position to an upper position and locking the elevated lower rack in the upper position. The elevating arrangement comprises a spring loaded pivot arm arrangement (12) to be attached in one end to a tub (13) of the dishwasher and in another end to the lower rack (11) for elevating the lower rack (11) from the lower position inside the tub to the upper position at least partially outside the tub. The elevating arrangement further comprises a locking mechanism (21) arranged between the spring loaded pivot arm arrangement (12) and the lower rack (11) and configured to lock the spring loaded pivot arm arrangement when the lower rack has been elevated to the upper position, thereby fixing the lower rack in the upper position. The mechanism for unlocking the elevated lower rack (11) is characterized in comprising a lever (20) extending from a front of the lower rack (11) along each side of the lower rack to the locking mechanism (21) being located at a

respective side of the rack (11), wherein user operation of the lever (20) at the front of the elevated lower rack causes a respective end of the lever to act on the locking mechanism (21) located at the respective side of the rack to unlock the elevated lower rack (11) such that it can be lowered into its lower position.

WO 2016/188554 A1

MECHANISM FOR UNLOCKING AN ELEVATED LOWER RACK OF A DISHWASHER

TECHNICAL FIELD

The invention relates to a mechanism for unlocking an elevated lower rack of
5 a dishwasher, the lower rack being capable of being elevated from a lower
position to an upper position and further being capable of being locked in the
upper position.

BACKGROUND

Traditionally in dishwashers, racks for housing goods to be cleaned can only
10 be moved horizontally in and out of a tub of the dishwasher. For a lower rack
placed at a bottom of the tub, a user will have to bend over to perform loading
or unloading of goods. This may result in physical discomfort, in particular
for disabled and/or elder people.

Therefore, rack elevation arrangements have been developed to move the
15 lower rack from a lower position at the bottom of the tub to an upper position
where the rack is moved out of the tub and elevated to a height on a level with
an upper rack, by means of spring loaded pivot arms lifting the lower rack
from its lower position to its upper position. Such a rack elevation
arrangement is disclosed for instance in US 2012/0074080 or WO
20 2014/033092. When in the upper position, the lower rack is locked to
prevent it from being displaced, thereby facilitating for a user the loading and
unloading of goods in the lower rack.

A problem with this rack elevation arrangement is the operation that a user
will have to perform to return the lower rack from the upper, locked position
25 to its lower position. In WO 2014/033092, the user needs to push the
elevated lower rack, being locked in the upper position, along a sliding rail in
which the lower rack is mounted in a horizontal direction towards the interior
of the dishwasher. Upon horizontal displacement of the lower rack towards
the interior of the dishwasher, the lower rack will unlock and the user can
30 press the lower rack towards its lower position at the bottom of the tub,

thereby causing the spring loaded pivot arms to return the lower rack to its lower position.

SUMMARY

An object of the present invention is to solve, or at least mitigate, this
5 problem in the art and to provide an improved mechanism for unlocking an elevated lower rack of a dishwasher.

According to a first aspect of the invention, there is provided a mechanism for
unlocking an elevated lower rack in an arrangement for a dishwasher being
capable of elevating the lower rack from a lower position to an upper position
10 and locking the elevated lower rack in the upper position. The elevating arrangement comprises a spring loaded pivot arm arrangement to be attached in one end to a tub of the dishwasher and in another end to the lower rack for elevating the lower rack from the lower position inside the tub to the upper position at least partially outside the tub. The elevating
15 arrangement further comprises a locking mechanism arranged between the spring loaded pivot arm arrangement and the lower rack and configured to lock the spring loaded pivot arm arrangement when the lower rack has been elevated to the upper position, thereby fixing the lower rack in the upper position. The mechanism for unlocking the elevated lower rack comprises
20 a lever extending from a front of the lower rack along each side of the lower rack to the locking mechanism being located at a respective side of the rack, wherein user operation of the lever at the front of the elevated lower rack causes a respective end of the lever to act on the locking mechanism located at the respective side of the rack to unlock the elevated lower rack such that it
25 can be lowered into its lower position.

Advantageously, by having the lever act on the locking mechanism, an intuitive solution for unlocking the elevated lower rack and returning it to its lower position inside the dishwasher tub is provided. A user can easily
30 operate the lever at the front of the elevated lower rack in order to cause the ends of the lever to act on the locking mechanism on each side of the rack and thus unlock the elevated lower rack.

In contrast to the art, where the user must push the rack horizontally a distance in the direction of the interior of the tub such that the locking mechanism will unlock, before pushing the rack down to its lower position, which is not an obvious sequence of a user to perform, the user intuitively and straightforwardly moves the lever of the present invention in an upwards
5 directions and simply unlocks the elevated lower rack. The user can thereafter move the elevated lower rack to its lower position in the tub.

A further advantage of the invention as compared to the art is that goods of a greater height can be placed in a back section of the lower rack, since there is
10 no need to push the rack a distance horizontally into the tub in order to unlock the locking mechanism before lowering the rack in which case goods of a great height will bang against the upper rack when the elevated lower rack 11 is moved downwards to its lower position. In the art, there is a risk that the goods are damaged when contacting the upper rack, and goods
15 banging against the upper rack are further a source to noise. Further advantageous is that since there is no need to displace the rack horizontally to unlock the locking mechanism, a heavily loaded rack is easy to manage as compared to the art where a heavily loaded rack causes a user to apply a certain force to unlock the locking mechanism.

20 In an embodiment, the lever is equipped with a handle that can be operated by the user; by pressing the handle, the lever will move upwards at the front of the elevated lower rack, thus causing the ends of the lever to correspondingly move in an upwards direction to unlock the rack, thereby advantageously providing an easy, straightforward and intuitive way for the
25 user to unlock the elevated upper rack and return the rack to its lower position.

In a further embodiment of the invention, the respective end of the lever will lift a locking pin of the locking mechanism on each side of the rack from a groove retaining the lower rack in the upper locked position by preventing
30 the spring loaded pivot arm arrangement from performing a pivoting movement and hence the rack from being moved to its lower position in the

interior of the dishwasher tub. By lifting the locking pin, the pin is no longer in engagement with the groove, wherein the elevated lower rack can be moved by means of the spring loaded pivot arm arrangement in a downwards direction and be returned to its lower position.

- 5 In still a further embodiment of the invention, the unlocking mechanism further comprises a force transmission mechanism pivotably attached in one of its ends to the lever, and an unlocking element pivotably attached to the other end of the force transmission mechanism on a distance from the lever. The unlocking element is configured to move the locking pin from engagement with the groove
10 upon upwards movement of the lever to unlock the elevated upper rack. Advantageously, with the force transmission mechanism, a small upward movement of the lever will result in a greater upwards movement of the unlocking element. Thus, with this advantageous embodiment, a user will only slightly have to displace the lever in an upward direct in order to unlock the elevated upper
15 rack.

In a second aspect of the invention, a lower rack elevating arrangement for use in a dishwasher is provided comprising the mechanism for unlocking an elevated lower rack as described herein.

- In a third aspect of the invention, a dishwasher is provided comprising the
20 mechanism for unlocking an elevated lower rack as described herein.

According to another aspect of the invention, there is provided a dishwasher comprising the mechanism for unlocking the elevated lower rack according to the first aspect described above.

- According to another aspect of the invention, there is provided an arrangement for
25 a dishwasher configured to elevate a lower dishwasher rack from a lower position to an upper position and locking the elevated lower rack in the upper position, the arrangement comprising: a spring loaded pivot arm arrangement to be attached in one end to a tub of the dishwasher and in another end to the lower rack for elevating the lower rack from the lower position inside the tub to the upper
30 position at least partially outside the tub; a locking mechanism arranged between

the spring loaded pivot arm arrangement and the lower rack and configured to lock the spring loaded pivot arm arrangement when the lower rack has been elevated to the upper position, thereby fixing the lower rack in the upper position; the arrangement comprising: a lever extending from a front of the lower rack
5 along each side of the lower rack to the locking mechanism being located at a respective far side of the rack, wherein user operation of the lever at the front of the elevated lower rack causes a respective end of the lever to act on the locking mechanism located at the respective side of the rack to unlock the elevated lower rack such that the lower rack can be lowered into its lower position.

- 10 According to another aspect of the invention, there is provided a dishwasher comprising the arrangement for elevating the lower rack from the lower position to the upper position described above.

Generally, all terms used in the claims are to be interpreted according to their ordinary meaning in the technical field, unless explicitly defined otherwise herein.

- 15 All references to "a/ an/ the element, apparatus, component, means, step, etc." are to be interpreted openly as referring to at least one instance of the element, apparatus, component, means, step, etc., unless explicitly stated otherwise. The steps of any method disclosed herein do not have to be performed in the exact order disclosed, unless explicitly stated.

20 **BRIEF DESCRIPTION OF THE DRAWINGS**

Embodiments of the invention will now be described, by way of example, with reference to the accompanying drawings, in which:

Figure 1 illustrates a prior art dishwasher in which a mechanism according to an embodiment of the invention advantageously may be implemented;

Figure 2 illustrates the prior art dishwasher of Figure 1 where a lower rack is moved from its lower position towards an upper position;

5 Figure 3 illustrates the prior art dishwasher of Figures 1 and 2 where the lower rack has been moved from the lower position to the upper position;

Figure 4 illustrates a mechanism for unlocking an elevated lower rack according to an embodiment of the invention, the mechanism not being operated by a user thereby retaining the rack locked in the upper position;

10 Figure 5 illustrates a locking mechanism on which the mechanism for unlocking an elevated lower rack do not act in order to retain the rack locked according to an embodiment of the invention;

Figure 6 illustrates the mechanism for unlocking an elevated lower rack according to an embodiment of the invention, the mechanism being operated
15 by a user thereby unlocking the rack;

Figure 7 illustrates the locking mechanism of Figure 5 on which the mechanism for unlocking an elevated lower rack acts in order to unlock the rack according to an embodiment of the invention; and

Figure 8 illustrates the mechanism for unlocking an elevated lower rack
20 further comprising a handle according to an embodiment of the invention.

DETAILED DESCRIPTION

The invention will now be described more fully hereinafter with reference to the accompanying drawings, in which certain embodiments of the invention are shown. This invention may, however, be embodied in many different
25 forms and should not be construed as limited to the embodiments set forth herein; rather, these embodiments are provided by way of example so that this disclosure will be thorough and complete, and will fully convey the scope

of the invention to those skilled in the art. Like numbers refer to like elements throughout the description.

Figure 1 illustrates a prior art dishwasher 10 as disclosed in US 2012/0074080, in which a mechanism according to an embodiment of the invention advantageously may be implemented. The operation of elevating the lower rack 11 from its lower position to its upper position (in which it subsequently will be locked) will be briefly described in the following with reference to Figures 1-3. It should be noted that the described solution for elevating the lower rack to its upper position is exemplifying only, and a number of different ways of elevating the lower rack can be envisaged.

Figure 1 shows a spring loaded pivot arm arrangement 12 for elevating the lower rack 11 from its lower position at a bottom of the tub 13 to an upper position on a level with an upper rack 14 of the dishwasher 10. In this example, the spring loaded pivot arm arrangement 12 comprises two pivot arms 15, 16 and one spring 17. When the lower rack 11 is in its lower position in an interior of the tub 13, the pivot arms 15, 16 are positioned vertically and parallel at a distance from each other, while the spring 17 is tensioned by being attached to a fixture 18. The lower rack 11 is attached to sliding rails 19 which in their turn are mounted to guiding rails 20 (see Figure 2) on an interior wall of the tub 13 such that the lower rack can be moved in and out of the tub 13 when in its lower position. Alternatively, the lower rack 11 may be equipped with sliding means in the form of small wheels to move the rack in and out of the tub 13 in its lower position.

Figure 2 illustrates a scenario where a user (not shown) moves the lower rack 11 from its lower position to the upper position, t. Hence, the pivot arms 15, 16 are rotated in a clockwise direction by the user lifting the lower rack 11 and the spring 17 will support the elevation.

Figure 3 shows the lower rack 11 having reached its upper position outside of the tub 13 and on a level with the upper rack 14. The pivot arms 15, 16 will thus protrude horizontally from the tub 13 while the spring 17 enters a

relaxed, non-tensioned state. A locking mechanism (shown in subsequent Figures) will retain the lower rack 11 in the upper position by locking the spring loaded pivot arm arrangement 12 until being released by a user, whereupon the lower rack 11 will return to its lower position in analogy with the elevating movement described with reference to Figures 1-3.

Figure 4 illustrates a mechanism for unlocking an elevated lower rack 11 according to an embodiment of the invention. As is illustrated in Figure 4, the lower rack 11 has been elevated to its upper position outside of the tub 13 and locked for facilitating loading and unloading of goods (not show) in the rack 11. The mechanism comprises a lever 20 extending from a front of the lower rack 11 along each side of the rack to a locking mechanism 21 being located at a respective far back corner of the rack 11 and arranged to lock the spring loaded pivot arm arrangement 12 to prevent the elevated upper rack 11 from being moved. Advantageously, as will be described in the following, a user operating the lever 20 at the front of the rack 11 by moving the lever 20 in an upwards direction causes a respective end of the lever 20 to act on the locking mechanism 21 located at the respective far back corner of the rack 11 to unlock the elevated rack 11 such that it can be lowered into its lower position inside the tub 13.

Figure 5 illustrates the locking mechanism 21, on which the lever 20 acts, in more detail. When the lower rack 11 is elevated to its upper position, a locking pin 22 is configured to engage with a groove 23, thereby preventing the spring loaded pivot arm arrangement 12 from performing a pivoting movement and hence the elevated lower rack 11 from being moved in a direction towards the lower position in the interior of the tub 13. Hence, the rack 11 cannot be moved to its lower position when the locking pin 22 is in locking engagement with the groove 23 as the pin prevents any movement of the rack 11 along the sliding rail 19 in the upper position.

Figure 6 illustrates the mechanism for unlocking an elevated lower rack 11 according to the embodiment of the invention discussed with reference to Figure 4. However, in contrast to Figure 4, the lever 20 extending from the

front of the lower rack 11 along each side of the rack to the locking mechanism 21 being located at a respective far back corner of the rack 11 is in Figure 6 moved upwards thereby unlocking the rack 11. Thus, the user operates the lever 20 at the front of the rack 11 by moving the lever 20 in an upward direction. As a result, the respective end of the lever 20 acts on the locking mechanism 21 causing unlocking of the elevated rack 11 such that it can be lowered into its lower position inside the tub 13.

Figure 7 illustrates the locking mechanism 21 when being unlocked by the lever 20 in an embodiment of the invention. When the lower rack 11 is elevated to its upper position, and a user moves the lever in an upward direction, the locking pin 22 is configured to slide out of the groove 23, such that the locking pin 22 no longer is in locking engagement with the groove, and the spring loaded pivot arm arrangement 12 is no longer being prevented from pivoting and being moved downwards in a direction towards the interior of the tub 13. Hence, the unlocked elevated lower rack 11 can easily be moved to its lower position by having the user slightly push the rack 11 downwards into the tub.

Advantageously, the invention provides for a user an intuitive way of unlocking the elevated lower rack 11 when locked in its upper position as compared to the art where the user must push the rack horizontally a distance in the direction of the interior of the tub such that the locking mechanism will unlock, before pushing the rack down to its lower position, which is not an obvious sequence of a user to perform. A further advantage of the invention as compared to the art is that goods of a greater height can be placed at the back of the lower rack 11, since there is no need to push the rack a distance horizontally into the tub in order to unlock the locking mechanism 21 before lowering the rack in which case goods of a great height will abut the upper rack 14 when the elevated lower rack 11 is moved downwards to its lower position. In the art, there is a risk that the goods are damaged when abutting the upper rack 14. Further advantageous is that since there is no need to displace the rack 11 horizontally to unlock the locking mechanism 21, a heavily loaded rack 11 is easy to manage as compared to the art where a

heavily loaded rack causes a user to apply a certain force to unlock the locking mechanism.

With reference to Figure 7, in a further embodiment of the invention, a force transmission mechanism 24 is pivotably attached in one of its ends to the lever 20, and an unlocking element 25 is pivotably attached to the other end of the force transmission mechanism 24 on a distance from the lever 20. As can be seen in Figure 7, the unlocking element 25 is configured to move the locking pin 22 from engagement with the groove 23 upon upwards movement of the lever 20 to unlock the elevated upper rack 11. Advantageously, with the force transmission mechanism 24, a small upward movement of the lever 20 will result in a greater upwards movement of the unlocking element 25. Thus, with this advantageous embodiment, a user will only slightly have to displace the lever 20 in an upward direct in order to unlock the elevated upper rack 11.

Figure 8 illustrates a further embodiment of the mechanism for unlocking the elevated lower rack 11. In this embodiment, the mechanism further comprises a handle 26 arranged at the front of the lower rack 11. The handle 26 is advantageously configured to move the lever 20 upwards when being pressed by a user in order to unlock the elevated lower rack 11, thereby providing an easy, straightforward and intuitive way for the user to unlock the elevated upper rack 11 and return the rack to its lower position.

The invention has mainly been described above with reference to a few embodiments. However, as is readily appreciated by a person skilled in the art, other embodiments than the ones disclosed above are equally possible within the scope of the invention, as defined by the appended patent claims.

CLAIMS:

1. A mechanism for unlocking an elevated lower rack in an elevating arrangement for a dishwasher being capable of elevating the lower rack from a lower position to an upper position and locking the elevated lower rack in the upper position, the elevating arrangement comprising:
- 5 a spring loaded pivot arm arrangement to be attached in one end to a tub of the dishwasher and in another end to the lower rack for elevating the lower rack from the lower position inside the tub to the upper position at least partially outside the tub;
- 10 a locking mechanism arranged between the spring loaded pivot arm arrangement and the lower rack and configured to lock the spring loaded pivot arm arrangement when the lower rack has been elevated to the upper position, thereby fixing the lower rack in the upper position; the mechanism for unlocking the elevated lower rack comprising:
- 15 a lever extending from a front of the lower rack along each side of the lower rack to the locking mechanism being located at a respective side of the rack, wherein user operation of the lever at the front of the elevated lower rack causes a respective end of the lever to act on the locking mechanism located at the respective side of the rack to unlock the elevated lower rack such that the elevated
- 20 lower rack can be lowered into its lower position.
2. The mechanism for unlocking the elevated lower rack according to claim 1, wherein movement of the lever in an upward direction causes the respective end of the lever to move upwards to unlock the locking mechanism.
3. The mechanism for unlocking the elevated lower rack according to claim 1 or 2, the locking mechanism comprising:
- 25 a locking pin configured to engage with a groove in order to prevent the spring loaded pivot arm arrangement from pivoting and being moved in a downwards direction towards an interior of the tub, thereby locking the elevated lower rack.
- 30 4. The mechanism for unlocking the elevated lower rack according to claim 3, the lever being configured, when moved in the upwards direction, to cause

its respective end to release the locking pin from engagement with the groove in order to allow the spring loaded pivot arm arrangement to move in the downwards direction towards the interior of the tub, thereby unlocking the elevated lower rack.

5 5. The mechanism for unlocking the elevated lower rack according to claim 4, further comprising:

a respective force transmission mechanism pivotably attached in one of its ends to the respective end of the lever;

10 a respective unlocking element pivotably attached to the other end of the respective force transmission mechanism on a distance from the lever, the unlocking element being configured to move the locking pin from engagement with the groove upon upwards movement of the lever.

6. The mechanism for unlocking the elevated lower rack according to any one of claims 1 to 5, the locking mechanism being located at a respective far
15 back corner of the rack.

7. The mechanism for unlocking the elevated lower rack according to any one of claims 1 to 6, further comprising:

20 a handle arranged at the front of the lower rack configured to move the lever upwards when being pressed by a user in order to unlock the elevated lower rack.

8. An arrangement for a dishwasher configured to elevate a lower dishwasher rack from a lower position to an upper position and locking the elevated lower rack in the upper position, the arrangement comprising:

25 a spring loaded pivot arm arrangement to be attached in one end to a tub of the dishwasher and in another end to the lower rack for elevating the lower rack from the lower position inside the tub to the upper position at least partially outside the tub;

30 a locking mechanism arranged between the spring loaded pivot arm arrangement and the lower rack and configured to lock the spring loaded pivot arm arrangement when the lower rack has been elevated to the upper position, thereby fixing the lower rack in the upper position; the arrangement comprising:

a lever extending from a front of the lower rack along each side of the lower rack to the locking mechanism being located at a respective far side of the rack, wherein user operation of the lever at the front of the elevated lower rack causes a respective end of the lever to act on the locking mechanism located at the
5 respective side of the rack to unlock the elevated lower rack such that the lower rack can be lowered into its lower position.

9. A dishwasher comprising the mechanism for unlocking the elevated lower rack according to any one of claims 1 to 7.

10. A dishwasher comprising the arrangement for elevating the lower rack from the lower position to the upper position according to claim 8.

1/5

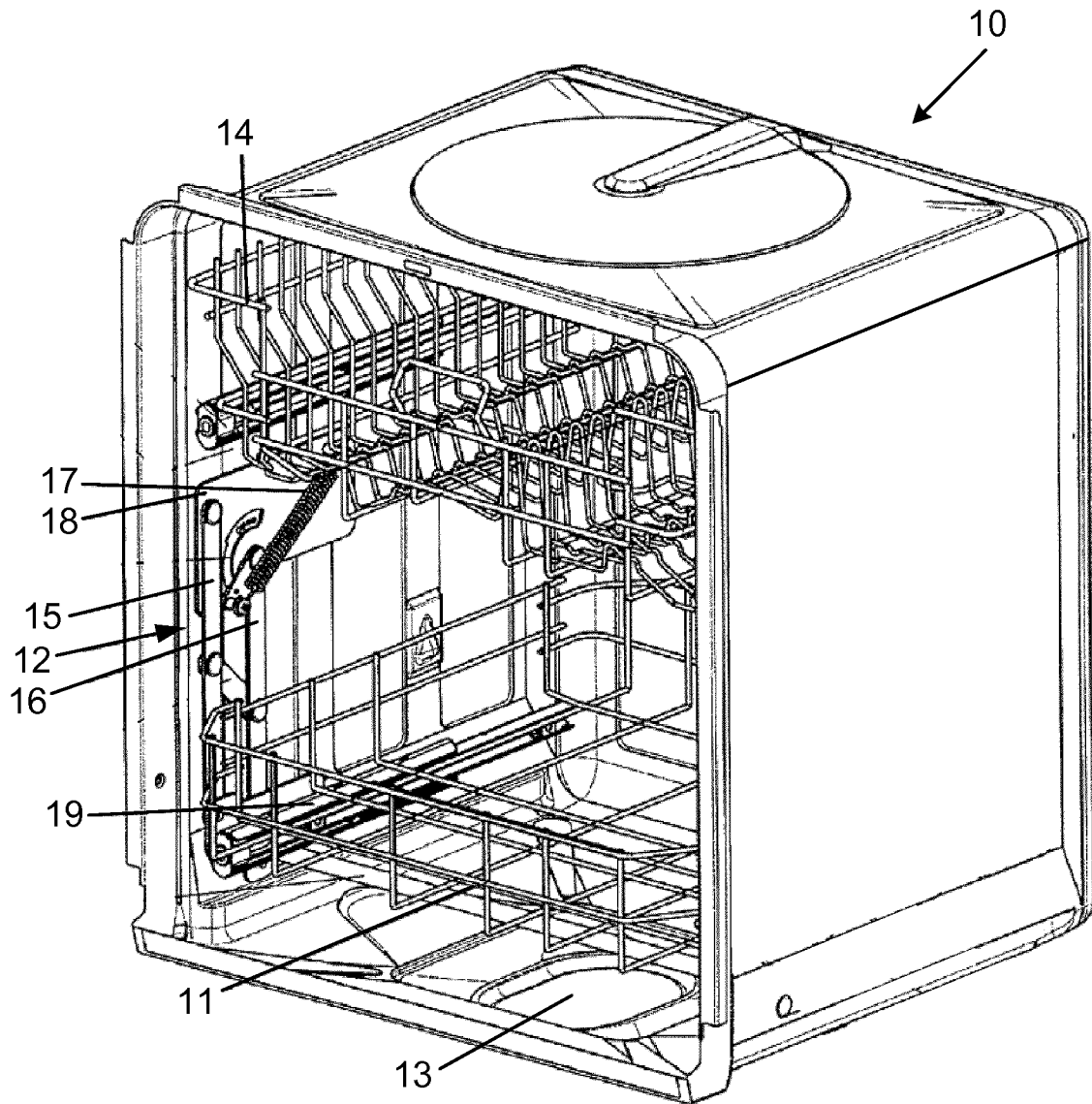


Fig. 1

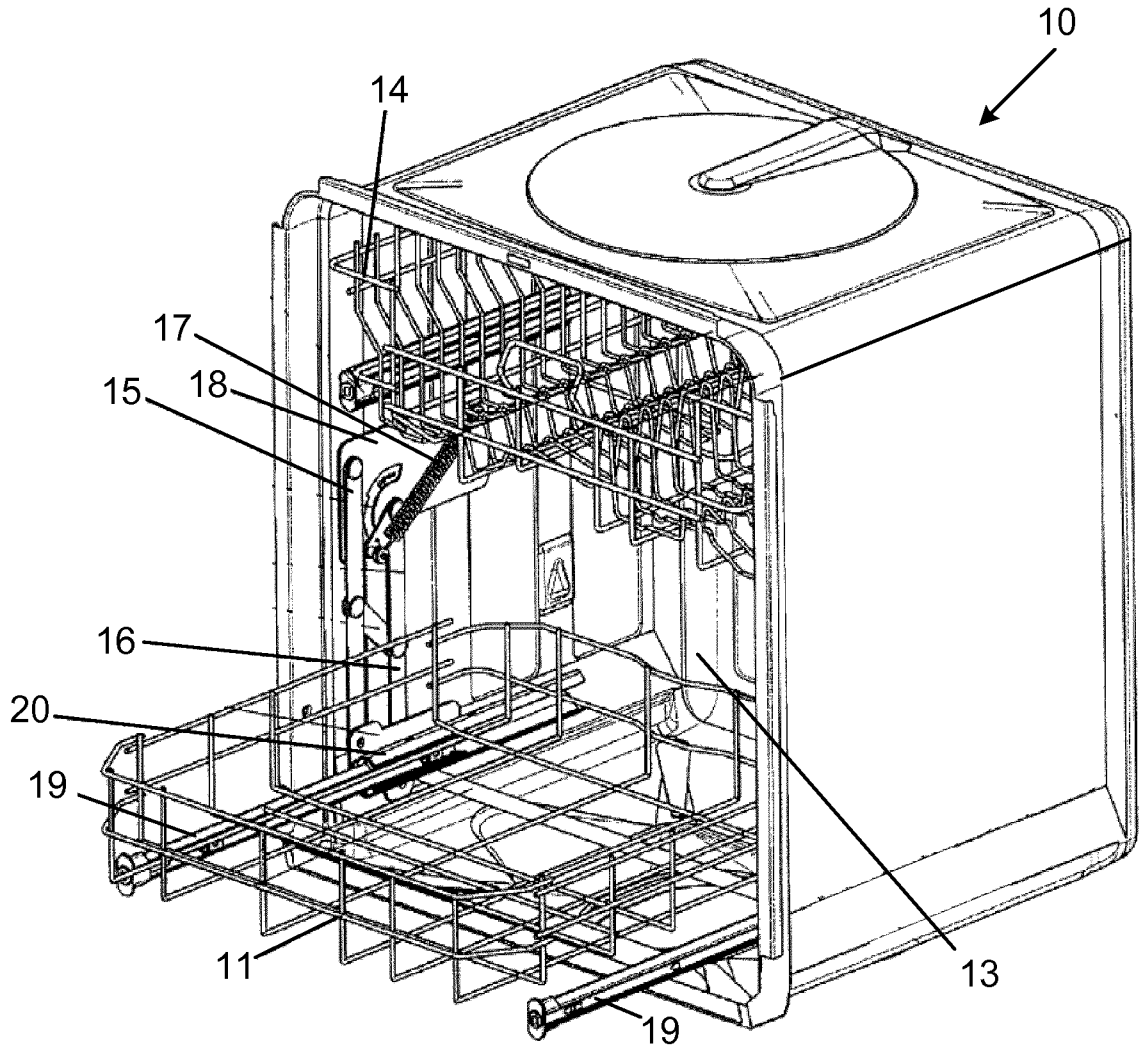


Fig. 2

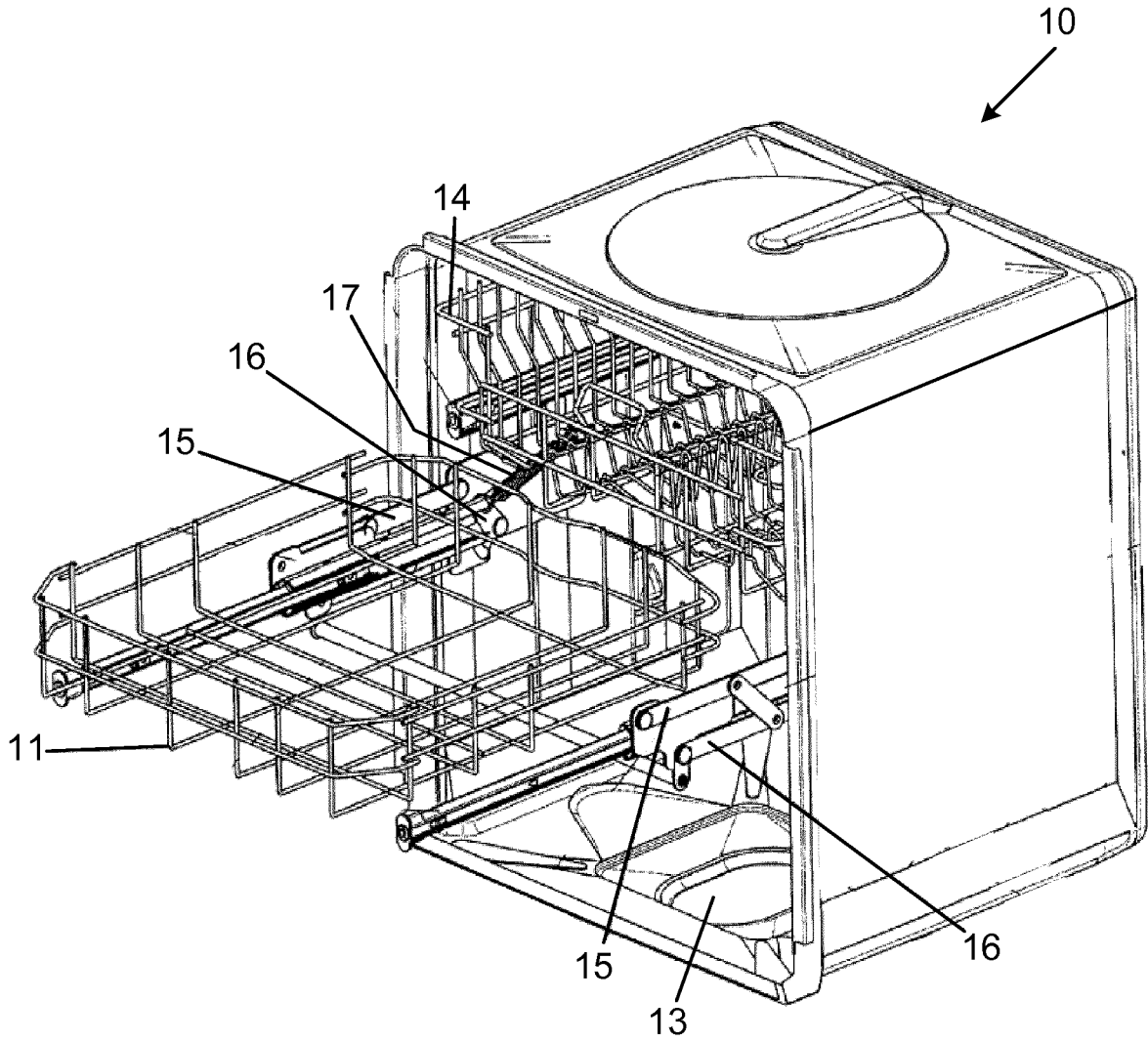


Fig. 3

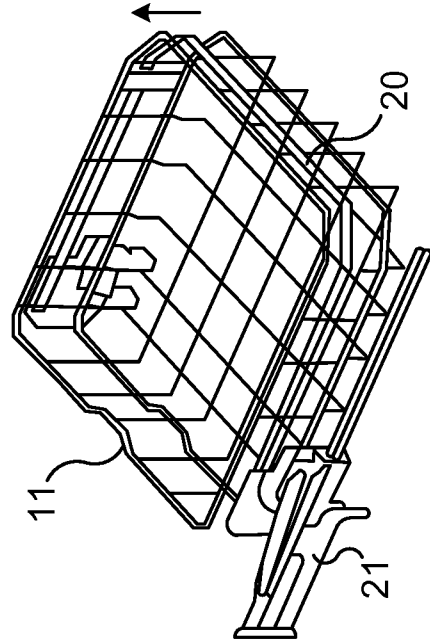


Fig. 4

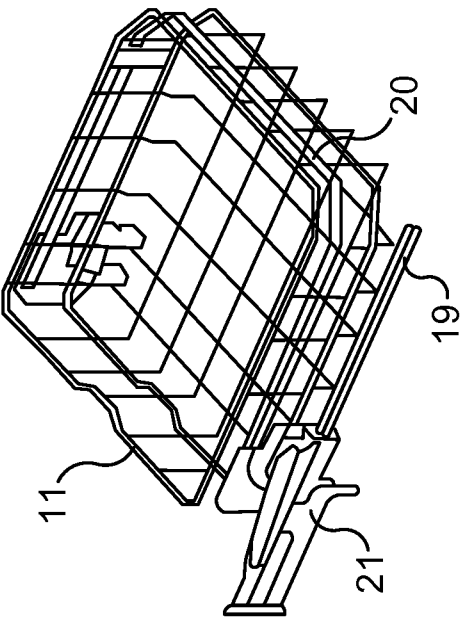


Fig. 5

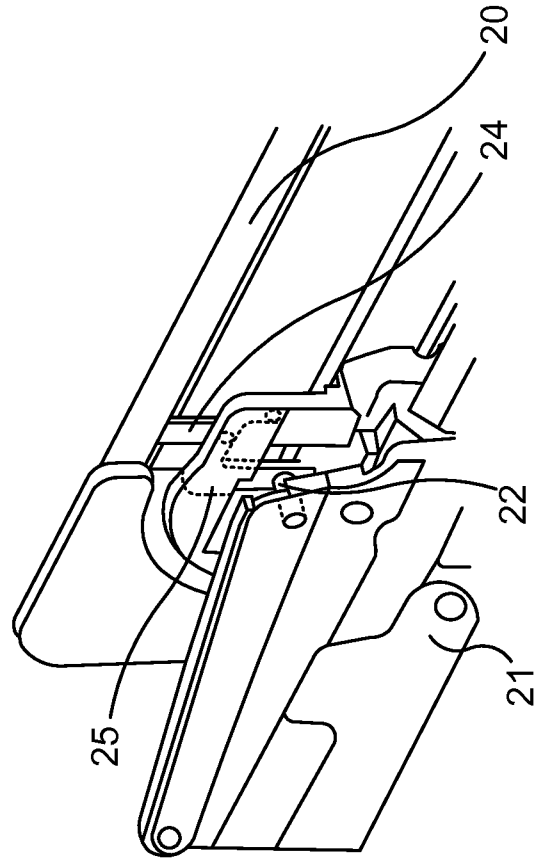


Fig. 6

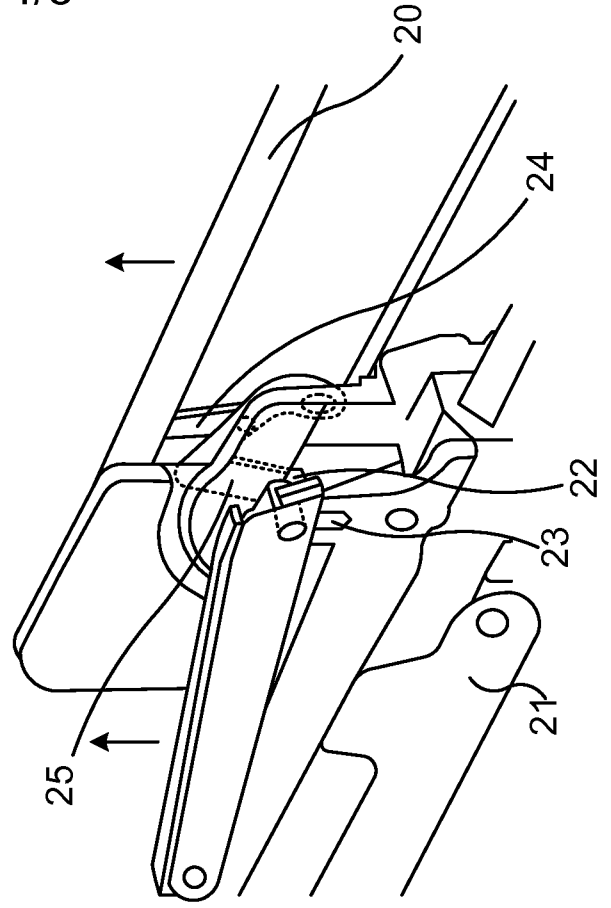


Fig. 7

5/5

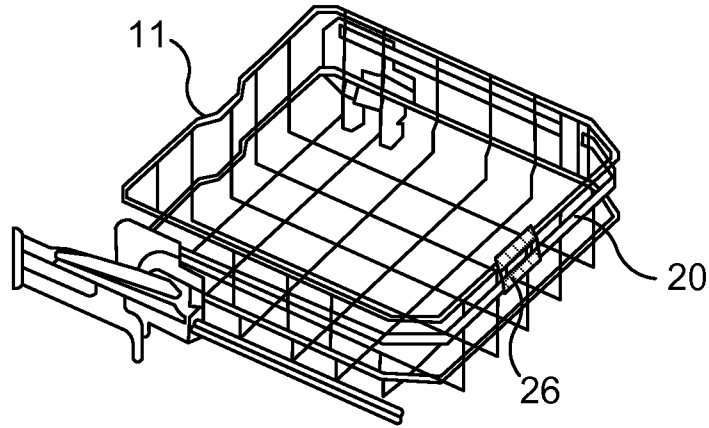


Fig. 8

