

(19) World Intellectual Property Organization  
International Bureau



(43) International Publication Date  
8 February 2007 (08.02.2007)

PCT

(10) International Publication Number  
**WO 2007/016691 A3**

(51) International Patent Classification:

G01N 1/02 (2006.01) B01L 3/00 (2006.01)  
C12M 1/30 (2006.01)

(21) International Application Number:

PCT/US2006/030338

(22) International Filing Date: 2 August 2006 (02.08.2006)

(25) Filing Language: English

(26) Publication Language: English

(30) Priority Data:

60/705,089 2 August 2005 (02.08.2005) US

(71) Applicant (for all designated States except US): 3M

INNOVATIVE PROPERTIES COMPANY [US/US];  
3M Center, Post Office Box 33427, Saint Paul, Minnesota  
55133-3427 (US).

(72) Inventors; and

(75) Inventors/Applicants (for US only): BOMMARITO,  
G. Marco [US/US]; 3M Center, Post Office Box 33427,

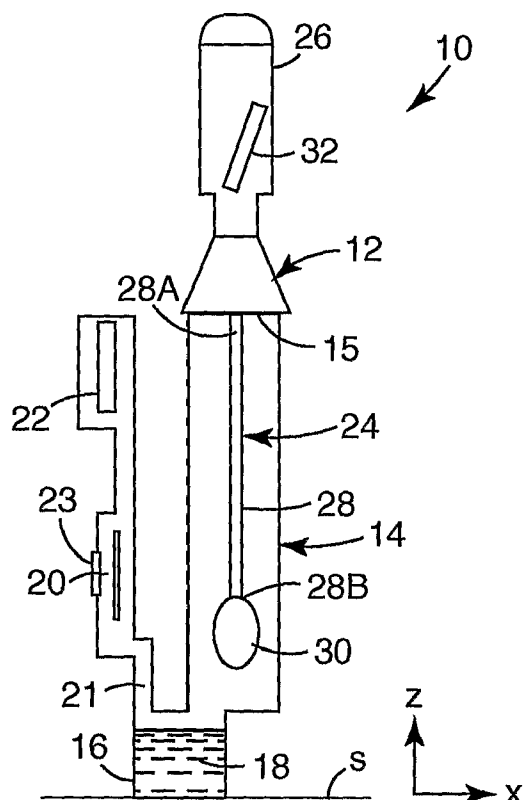
Saint Paul, Minnesota 55133-3427 (US). BURTON, Scott  
A. [US/US]; 3M Center, Post Office Box 33427, Saint  
Paul, Minnesota 55133-3427 (US). DODGE, Larry H.  
[US/US]; 3M Center, Post Office Box 33427, Saint Paul,  
Minnesota 55133-3427 (US). GONZALEZ, Bernard  
A. [US/US]; 3M Center, Post Office Box 33427, Saint  
Paul, Minnesota 55133-3427 (US). SMITH, Jeffrey D.  
[US/US]; 3M Center, Post Office Box 33427, Saint Paul,  
Minnesota 55133-3427 (US).

(74) Agents: LAMBERT, Nancy M. et al.; 3M Center, Office  
of Intellectual Property Counsel, Post Office Box 33427,  
Saint Paul, Minnesota 55133-3427 (US).

(81) Designated States (unless otherwise indicated, for every  
kind of national protection available): AE, AG, AL, AM,  
AT, AU, AZ, BA, BB, BG, BR, BW, BY, BZ, CA, CH, CN,  
CO, CR, CU, CZ, DE, DK, DM, DZ, EC, EE, EG, ES, FI,  
GB, GD, GE, GH, GM, HN, HR, HU, ID, IL, IN, IS, JP,  
KE, KG, KM, KN, KP, KR, KZ, LA, LC, LK, LR, LS, LT,  
LU, LV, LY, MA, MD, MG, MK, MN, MW, MX, MZ, NA,  
NG, NI, NO, NZ, OM, PG, PH, PL, PT, RO, RS, RU, SC,  
SD, SE, SG, SK, SL, SM, SY, TJ, TM, TN, TR, TT, TZ,  
UA, UG, US, UZ, VC, VN, ZA, ZM, ZW.

[Continued on next page]

(54) Title: APPARATUS AND METHOD FOR DETECTING AN ANALYTE



(57) Abstract: An apparatus for detecting an analyte in a sample of material includes a chamber for receiving an eluted sample of material from a sample acquisition device and a testing device adapted to detect the analyte. At least a part of the apparatus assembly is moveable between a sample preparation orientation and a testing orientation.

WO 2007/016691 A3



**(84) Designated States** (*unless otherwise indicated, for every kind of regional protection available*): ARIPO (BW, GH, GM, KE, LS, MW, MZ, NA, SD, SL, SZ, TZ, UG, ZM, ZW), Eurasian (AM, AZ, BY, KG, KZ, MD, RU, TJ, TM), European (AT, BE, BG, CH, CY, CZ, DE, DK, EE, ES, FI, FR, GB, GR, HU, IE, IS, IT, LT, LU, LV, MC, NL, PL, PT, RO, SE, SI, SK, TR), OAPI (BF, BJ, CF, CG, CI, CM, GA, GN, GQ, GW, ML, MR, NE, SN, TD, TG).

**Declarations under Rule 4.17:**

- *as to applicant's entitlement to apply for and be granted a patent (Rule 4.17(ii))*
- *as to the applicant's entitlement to claim the priority of the earlier application (Rule 4.17(iii))*

**Published:**

- *with international search report*
- *before the expiration of the time limit for amending the claims and to be republished in the event of receipt of amendments*

**(88) Date of publication of the international search report:**  
24 May 2007

*For two-letter codes and other abbreviations, refer to the "Guidance Notes on Codes and Abbreviations" appearing at the beginning of each regular issue of the PCT Gazette.*

# INTERNATIONAL SEARCH REPORT

International application No  
PCT/US2006/030338

**A. CLASSIFICATION OF SUBJECT MATTER**  
INV. G01N1/02 C12M1/30 B01L3/00

According to International Patent Classification (IPC) or to both national classification and IPC

**B. FIELDS SEARCHED**

Minimum documentation searched (classification system followed by classification symbols)  
G01N

Documentation searched other than minimum documentation to the extent that such documents are included in the fields searched

Electronic data base consulted during the international search (name of data base and, where practical, search terms used)

EPO-Internal, WPI Data

**C. DOCUMENTS CONSIDERED TO BE RELEVANT**

| Category* | Citation of document, with indication, where appropriate, of the relevant passages                          | Relevant to claim No.   |
|-----------|---|-------------------------|
| Y         | WO 96/14570 A (IDEXX LAB INC [US])<br>17 May 1996 (1996-05-17)<br>page 10; figure 1<br>page 11; figures 4,6 | 1,3-12,<br>15-20,22     |
| Y         | WO 93/12421 A (NASON FREDERIC L [US])<br>24 June 1993 (1993-06-24)<br>pages 13-16; figures 1,10-13          | 1,3-12,<br>15-20,22     |
| X         | US 5 658 531 A (COPE GRAHAM FRANCIS [GB]<br>ET AL) 19 August 1997 (1997-08-19)                              | 1,9,<br>18-20,22        |
| Y         | column 7, lines 16-45; figures 8a-b   | 3-8,<br>10-12,<br>15-17 |
| Y         | WO 2004/057331 A (3M INNOVATIVE PROPERTIES<br>CO [US]) 8 July 2004 (2004-07-08)<br>abstract                 | 3,4                     |
| -/--      |   |                         |

Further documents are listed in the continuation of Box C.

See patent family annex.

\* Special categories of cited documents :

- \*A\* document defining the general state of the art which is not considered to be of particular relevance
- \*E\* earlier document but published on or after the international filing date
- \*L\* document which may throw doubts on priority claim(s) or which is cited to establish the publication date of another citation or other special reason (as specified)
- \*O\* document referring to an oral disclosure, use, exhibition or other means
- \*P\* document published prior to the international filing date but later than the priority date claimed

- \*T\* later document published after the international filing date or priority date and not in conflict with the application but cited to understand the principle or theory underlying the invention
- \*X\* document of particular relevance; the claimed invention cannot be considered novel or cannot be considered to involve an inventive step when the document is taken alone
- \*Y\* document of particular relevance; the claimed invention cannot be considered to involve an inventive step when the document is combined with one or more other such documents, such combination being obvious to a person skilled in the art.
- \* & \* document member of the same patent family

Date of the actual completion of the international search

16 November 2006

Date of mailing of the international search report

02/04/2007

Name and mailing address of the ISA/  
European Patent Office, P.B. 5818 Patentlaan 2  
NL - 2280 HV Rijswijk  
Tel. (+31-70) 340-2040, Tx. 31 651 epo nl,  
Fax: (+31-70) 340-3016

Authorized officer

Hohwy, Morten

## INTERNATIONAL SEARCH REPORT

International application No  
PCT/US2006/030338

| C(Continuation), DOCUMENTS CONSIDERED TO BE RELEVANT |  |                       |
|--|--|-----------------------|
| Category*  | Citation of document, with indication, where appropriate, of the relevant passages   | Relevant to claim No. |
| Y  | WO 98/39657 A (QUIDEL CORP [US];<br>BOEHRINGER HANS [US]; ROWLEY GERALD [US];<br>PRONOVOST) 11 September 1998 (1998-09-11)<br>figure 1<br>page 38, lines 5-10<br>----- | 17                    |

# INTERNATIONAL SEARCH REPORT

International application No.  
PCT/US2006/030338

## Box II Observations where certain claims were found unsearchable (Continuation of item 2 of first sheet)

This International Search Report has not been established in respect of certain claims under Article 17(2)(a) for the following reasons:

1.  Claims Nos.:  
because they relate to subject matter not required to be searched by this Authority, namely:
  
2.  Claims Nos.:  
because they relate to parts of the International Application that do not comply with the prescribed requirements to such an extent that no meaningful International Search can be carried out, specifically:
  
3.  Claims Nos.:  
because they are dependent claims and are not drafted in accordance with the second and third sentences of Rule 6.4(a).

## Box III Observations where unity of invention is lacking (Continuation of item 3 of first sheet)

This International Searching Authority found multiple inventions in this international application, as follows:

see additional sheet

1.  As all required additional search fees were timely paid by the applicant, this International Search Report covers all searchable claims.
  
2.  As all searchable claims could be searched without effort justifying an additional fee, this Authority did not invite payment of any additional fee.
  
3.  As only some of the required additional search fees were timely paid by the applicant, this International Search Report covers only those claims for which fees were paid, specifically claims Nos.:
  
4.  No required additional search fees were timely paid by the applicant. Consequently, this International Search Report is restricted to the invention first mentioned in the claims; it is covered by claims Nos.:  
  
1, 3-12, 15-20, 22

### Remark on Protest

- The additional search fees were accompanied by the applicant's protest.
- No protest accompanied the payment of additional search fees.

**FURTHER INFORMATION CONTINUED FROM PCT/ISA/ 210**

This International Searching Authority found multiple (groups of) inventions in this international application, as follows:

1. claims: 1,3-12,15-20,22

An apparatus, comprising a housing configured to receive a sample acquisition device, a chamber to receive an eluted sample from the acquisition device, a testing chamber, and a passageway linking the two said chambers, and method of using said apparatus.

---

2. claims: 2, 13-14, 21, 23

Apparatus, comprising a housing configured to receive a sample acquisition device, a chamber to receive an eluted sample from the acquisition device, and a removable indicator cap including a testing device, and method of using said apparatus.

---

# INTERNATIONAL SEARCH REPORT

Information on patent family members

|   |
|---|
| International application No<br>PCT/US2006/030338 |
|---|

| Patent document cited in search report | A | Publication date | Patent family member(s)  | Publication date   |
|--|---|------------------|--|--|
| WO 9614570                             | A | 17-05-1996       | NONE   |  |
| WO 9312421                             | A | 24-06-1993       | EP 0572637 A1  | 08-12-1993   |
| US 5658531                             | A | 19-08-1997       | AU 665376 B2<br>AU 2801292 A<br>CA 2122597 A1<br>DE 69219612 D1<br>DE 69219612 T2<br>DK 610325 T3<br>EP 0610325 A1<br>ES 2106198 T3<br>WO 9309431 A1 | 04-01-1996<br>07-06-1993<br>13-05-1993<br>12-06-1997<br>02-10-1997<br>27-10-1997<br>17-08-1994<br>01-11-1997<br>13-05-1993 |
| WO 2004057331                          | A | 08-07-2004       | AU 2003301171 A1<br>BR 0317472 A<br>CA 2510030 A1<br>EP 1579210 A1<br>JP 2006510907 T<br>MX PA05006445 A   | 14-07-2004<br>16-11-2005<br>08-07-2004<br>28-09-2005<br>30-03-2006<br>08-09-2005   |
| WO 9839657                             | A | 11-09-1998       | AU 6450698 A<br>US 2005170527 A1<br>US 6924153 B1  | 22-09-1998<br>04-08-2005<br>02-08-2005   |