



US00D879528S

(12) **United States Design Patent**
Pepper

(10) **Patent No.:** **US D879,528 S**

(45) **Date of Patent:** **** Mar. 31, 2020**

(54) **FOLDABLE REUSABLE DRINKING STRAW**

(71) Applicant: **THE FINAL CO. LLC**, Santa Fe, NM (US)

(72) Inventor: **Miles Pepper**, Los Angeles, CA (US)

(73) Assignee: **THE FINAL CO. LLC**, Santa Fe, NM (US)

(**) Term: **15 Years**

(21) Appl. No.: **29/686,521**

(22) Filed: **Apr. 4, 2019**

Related U.S. Application Data

(62) Division of application No. 29/648,754, filed on May 23, 2018, now Pat. No. Des. 853,164.

(51) **LOC (12) Cl.** **07-06**

(52) **U.S. Cl.**
USPC **D7/300.2**

(58) **Field of Classification Search**
USPC D7/300, 300.2, 301, 635; D23/207; D27/101
CPC A47G 21/18; A61J 7/0038; B65D 2517/0049

See application file for complete search history.

(56) **References Cited**

U.S. PATENT DOCUMENTS

942,306 A 12/1909 Clark
2,815,981 A 12/1957 Nonnamaker
3,025,004 A 3/1962 Levi

(Continued)

FOREIGN PATENT DOCUMENTS

JP 2008-99857 A 5/2008
JP 2014-155524 A † 8/2014

(Continued)

OTHER PUBLICATIONS

Amazon.com, FinalStraw—Original—Patented—Real Simple, Shark Tank, Kickstarter, Publication date Mar. 2019, [site visited May 7, 2019], Available on the Internet URL https://www.amazon.com/dp/B07KRRGPV4/ref=psdc_16439911_t1_B07KT8XBSS (Year: 2019).*

(Continued)

Primary Examiner — Karen S Acker

Assistant Examiner — Steven B Reinholdt, Jr.

(74) *Attorney, Agent, or Firm* — Marshall, Gerstein & Borun LLP

(57) **CLAIM**

The ornamental design for a foldable reusable drinking straw, as shown and described.

DESCRIPTION

FIG. 1 is a top, front, right side perspective view of a foldable reusable drinking straw with the end tips in broken lines, showing my new design;

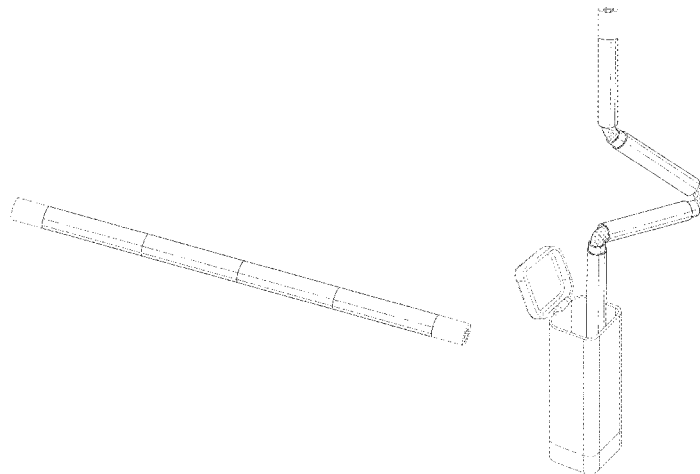
FIG. 2 is a right side elevational view of the straw of FIG. 1, the left side elevational view being a mirror image thereof;

FIG. 3 is a cross sectional view along lines 3-3 of FIG. 4; FIG. 4 is a front end elevational view of the straw of FIG. 1;

FIG. 5 is a rear end elevational view of the straw of FIG. 1; and,

FIG. 6 is a top, front, right side perspective view of the straw of FIG. 1 partially folded with a storage case in broken lines. The broken lines in the figures depict portions of the foldable reusable drinking straw that form no part of the claimed design. The broken lines in FIG. 6 illustrate the environment of a storage case that forms no part of the claimed design.

1 Claim, 3 Drawing Sheets



(56)

References Cited

U.S. PATENT DOCUMENTS

- 3,615,595 A * 10/1971 Gutttag D05B 27/10
112/322
- 3,776,458 A 12/1973 Chunga, Sr.
4,109,817 A 8/1978 Payne
4,340,175 A 7/1982 Danek
4,850,533 A † 7/1989 Hoshi et al. A47G 21/189
239/33
- 4,930,652 A 6/1990 Murphy
5,094,861 A * 3/1992 D'Auguste F24F 13/15
49/51
- 5,172,827 A 12/1992 Chang
5,201,460 A * 4/1993 Caines F23N 1/022
122/5.51
- 5,482,202 A * 1/1996 Wen B65D 77/283
220/705
- D371,269 S † 7/1996 Shattuck D7/300.2
5,727,734 A 3/1998 Su
D408,886 S † 4/1999 Matyushin D23/207
6,283,294 B1 * 9/2001 Thorball B62C 5/02
278/89
- 6,460,777 B2 * 10/2002 Float B62C 5/04
278/92
- 6,676,032 B2 † 1/2004 Banach A47G 21/18
239/24
- D487,375 S † 3/2004 Bengtsson D7/300.2
7,093,868 B1 8/2006 Shen
D575,570 S † 8/2008 Antonelli D7/300.2
D602,726 S † 10/2009 Baron D7/300.2
D614,346 S * 4/2010 Lik E21B 10/28
175/335
- 7,753,284 B1 * 7/2010 Raitses F16L 3/00
126/318
- 7,823,802 B1 † 11/2010 Roche B65D 75/5872
239/16
- D674,649 S † 1/2013 Ludwig D7/300.2
8,459,484 B2 6/2013 Ravelo
8,579,148 B2 11/2013 Slansky
D719,388 S † 12/2014 Ecseri D7/300.2
8,904,820 B2 12/2014 Chen
D726,477 S † 4/2015 Buck D7/300.2
D728,154 S * 4/2015 Lavanchy D27/100
D749,884 S † 2/2016 Martins D24/224
D755,440 S * 5/2016 Collen B65D 77/283
220/705
- D757,476 S † 5/2016 O'Neill D7/300.2
D762,408 S † 8/2016 Palazzi D3/300.2
D772,632 S † 11/2016 Buck D7/300.2
D778,492 S * 2/2017 Liu D27/101
D798,095 S † 9/2017 Palazzi D7/300.2
D808,580 S * 1/2018 Kwitel D27/101
D812,807 S * 3/2018 Thuery D27/101
D813,445 S * 3/2018 Scott D27/101
D815,479 S † 4/2018 Scardino D7/300.2
D819,264 S * 5/2018 Mykhaylovych A47G 21/18
239/33
- D825,837 S * 8/2018 Abroff D27/101
D825,838 S * 8/2018 Abroff D27/101
D827,920 S * 9/2018 Fornarelli A47G 21/18
239/33
- D828,623 S * 9/2018 Fornarelli B65D 77/283
220/705
- D831,397 S † 10/2018 Diorio D7/300.2
10,092,713 B2 * 10/2018 Terry F16L 3/00
126/318
- 10,123,641 B1 11/2018 Pepper
10,136,672 B2 * 11/2018 Minskoff E21B 10/28
175/335
- 10,159,278 B2 * 12/2018 Minskoff B65D 25/54
220/662
- 10,159,369 B2 † 12/2018 MacDonald A47G 21/187
D841,231 S * 2/2019 Hawes B62C 5/04
278/92
- D844,221 S * 3/2019 Tucker D05B 27/10
112/322
- D846,327 S * 4/2019 Peterson F23N 1/022
122/5.51
- D847,568 S * 5/2019 Hartnett A47G 21/183
220/705
- D853,164 S 7/2019 Pepper
D866,235 S 11/2019 Pepper
2002/0030115 A1 3/2002 Float et al.
2002/0088870 A1 † 7/2002 Banach A47G 21/18
239/33
- 2006/0060556 A1 3/2006 Lee
2006/0254604 A1 * 11/2006 Martinez Fernandez
B41L 47/46
101/47
- 2008/0169356 A1 7/2008 Trejo
2008/0197141 A1 * 8/2008 Felfoldi A47G 21/183
220/705
- 2009/0283608 A1 † 11/2009 Crawley A47G 21/18
239/33
- 2011/0057050 A1 3/2011 Shakur-Jenkins
2012/0068487 A1 3/2012 Wong
2012/0138622 A1 6/2012 Slansky
2013/0270357 A1 † 10/2013 Anderson A47G 21/183
239/33
- 2014/0231535 A1 † 8/2014 Alotaibi A47G 21/18
239/33
- 2014/0246445 A1 9/2014 Lee et al.
2014/0339325 A1 † 11/2014 Williams A47G 21/186
239/33
- 2014/0339819 A1 † 11/2014 Baker F16L 27/12
285/298
- 2015/0190004 A1 * 7/2015 Chang A47G 21/18
239/33
- 2015/0313390 A1 11/2015 Russo
2016/0051071 A1 * 2/2016 Buck A47G 21/187
239/33
- 2016/0338406 A1 * 11/2016 Liu A24F 47/008
2017/0013880 A1 * 1/2017 O'Brien A24F 47/008
2017/0150754 A1 * 6/2017 Lin A47G 21/183
220/705
- 2018/0235390 A1 * 8/2018 Lehmann A47G 21/18
2019/0059624 A1 * 2/2019 Kazmierczak, III B41L 47/46
101/47
- 2019/0069701 A1 * 3/2019 O'Neill B62C 5/02
278/89
- 2019/0082815 A1 * 3/2019 Chen F24F 13/15
49/51
- 2019/0099025 A1 * 4/2019 Rieger B23P 19/002
221/165
- 2019/0307274 A1 * 10/2019 Hsu B31C 3/04
2019/0313820 A1 * 10/2019 Pepper B08B 9/0436

FOREIGN PATENT DOCUMENTS

- KR 20090098400 † 9/2009
KR 20090108259 10/2009
KR 20090108259 A † 10/2009
KR 2010028648 † 12/2010
KR 20100128648 12/2010
KR 20130091922 A 8/2013

OTHER PUBLICATIONS

- Amazon.com, Collapsible straw by Divine Domicile, Publication date Mar. 2019, [site visited Mar. 6, 2019], Available on the Internet URL https://www.amazon.com/collapsible-straw-Divine-Domicile-stainless/dp/B07R1Y8JD2/ref=sr_1_fkmrnull_1?keywords=straw%2Bdivine%2Bdomicile&qid=1557249520&s=gat (Year: 2019).*
- FinalStraw.com, FinalStraw, Earliest publication date Aug. 2018 from Internet Archive, [site visited May 7, 2019], Available on the Internet URL <https://web.archive.org/web/20180803173948/https://finalstraw.com/> (Year: 2018).*
- Alibaba.com, Everich collapsible stainless steel straw, Publication date unknown, [site visited May 7, 2019], Available on the Internet

(56)

References Cited

OTHER PUBLICATIONS

URL https://www.alibaba.com/product-detail/collapsible-stainless-steel-304-silicone-straw_62016062697.html?spm=a2700.galleryofferlist.normalList.124.6e7cf7eawdAoIW (Year: 2019).*

U.S. Appl. No. 16/186,560, dated Nov. 2018.‡

U.S. Appl. No. 29/654,245, dated Jun. 2018.‡

U.S. Appl. No. 29/661,212, dated Aug. 2018.‡

U.S. Appl. No. 29/664,367, dated Sep. 2018.‡

U.S. Appl. No. 29/665,794, dated Oct. 2018.‡

Amazon.com, Hydream straw1 Collapsible Reusable Stainless Steel. Publication date Aug. 20, 2018, [site visited Jan. 29, 2019], Available on the Internet URL https://www.amazon.com/Hydream-Collapsible-Reusable-Stainless-Food-Grade/dp/B07GNZKKDK/ref=cm_cr_ar_p_d_product_top?ie=UTF8.‡

Walmart.com, Collapsible Reusable Straws with Case Holder, Publication date unknown, [site visited Jan. 29, 2019], Available on the Internet URL <https://www.walmart.com/ip/Collapsible-Reusable-Straws-Case-Holder-Keychain-Portable-Collapsible-Foldable-Stainless-Steel-Smoothie-Drinking-Metal->.‡

U.S. Appl. No. 16/186,560, filed Nov. 2018, Pepper, Miles.

U.S. Appl. No. 29/665,794, filed Oct. 2018, Pepper, Miles.

U.S. Appl. No. 29/664,367, filed Sep. 2018, Pepper, Miles.

U.S. Appl. No. 29/661,212, filed Aug. 2018, Pepper, Miles.

U.S. Appl. No. 29/654,245, filed Jun. 2018, Pepper, Miles.

U.S. Appl. No. 29/648,754, filed May 2018, Pepper, Miles.

U.S. Appl. No. 29/701,902, filed Aug. 15, 2019, Pepper, Miles.

Amazon.com, Hydreann straw1 Collapsible Reusable Stainless Steel, Publication date Aug. 20, 2018, [site visited Jan. 29, 2019], Available on the Internet URL https://www.annazon.com/Hydreann-Collapsible-Reusable-Stainless-Food-Grade/dp/B07GNZKKDK/_ref=cnn_cr_ar_p_d_product_top?ie=UTF8.

International Search Report for PCT/US18/35621 dated Aug. 29, 2018.

Walmart.com, Collapsible Reusable Straws with Case Holder, Publication date unknown, [site visited Jan. 29, 2019], Available on the Internet URL https://www.walmart.com/ip/_Collapsible-Reusable-Straws-Case-Holder-Keychain-Portable-Collapsible-Foldable-Stainless-Steel-Smoothie-Drinking-Metal-Tunnber-Straws-Cleaning-Brush.

* cited by examiner

‡ imported from a related application

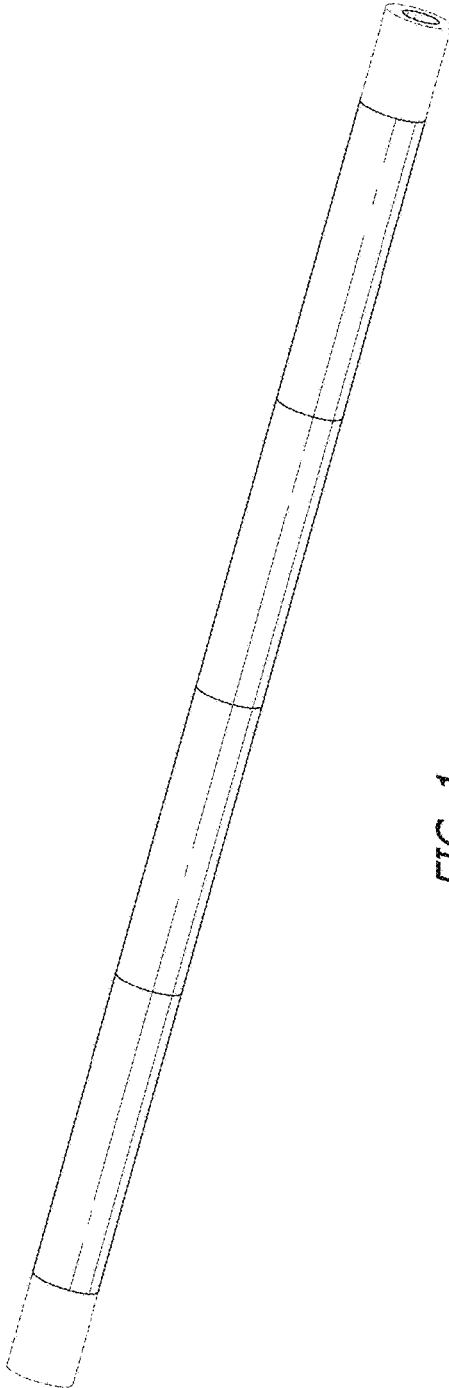


FIG. 1



FIG. 2



FIG. 3

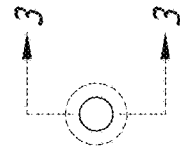


FIG. 4



FIG. 5

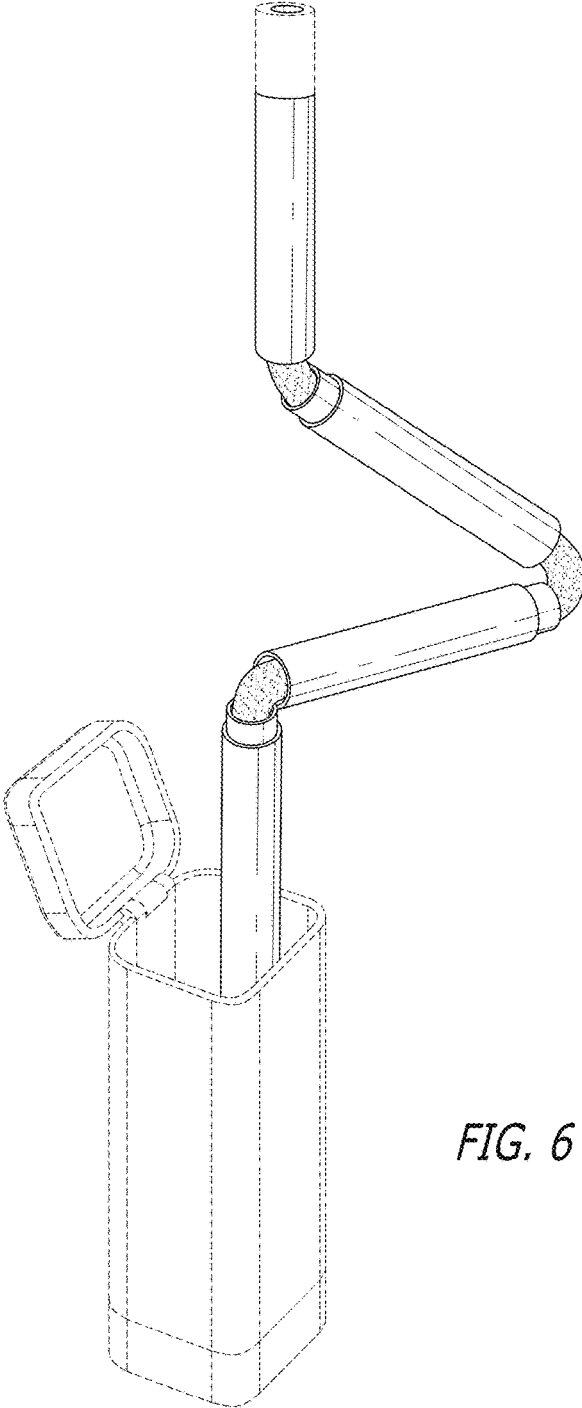


FIG. 6