



US00D739263S

(12) **United States Design Patent**
Sam

(10) **Patent No.:** **US D739,263 S**

(45) **Date of Patent:** **** Sep. 22, 2015**

(54) **CONTAINER BAG WITH MULTIPLE SEALABLE LOCKS**

(71) Applicant: **Bassam Abed Sam**, Bakersfield, CA (US)

(72) Inventor: **Bassam Abed Sam**, Bakersfield, CA (US)

(**) Term: **14 Years**

(21) Appl. No.: **29/504,375**

(22) Filed: **Oct. 5, 2014**

Related U.S. Application Data

(63) Continuation of application No. 29/463,355, filed on Oct. 28, 2013, which is a continuation-in-part of application No. 29/421,502, filed on Aug. 3, 2012, now Pat. No. Des. 694,651.

(51) **LOC (10) Cl.** **09-05**

(52) **U.S. Cl.**
USPC **D9/709**

(58) **Field of Classification Search**

USPC D9/702-714, 414-415, 417-418, 737, D9/424, 430-433, 730-732, 756, 761; D7/549, 553.2, 590, 602; D3/201, D3/203.1, 203.3, 303, 202; 206/527, 4.27, 206/807, 260, 811, 103, 203, 207; 220/23.4, 500, 666; 229/120.02, 229/120.011, 87.06; 426/114-115, 119, 426/120; 222/92, 107, 215, 206
CPC Y10S 206/811; B65D 65/811; B65D 75/5883

See application file for complete search history.

(56) **References Cited**

U.S. PATENT DOCUMENTS

D544,203	S	*	6/2007	Krohn et al.	D3/203.5
D563,241	S	*	3/2008	Nimey	D9/705
D573,038	S	*	7/2008	Picken	D9/737
D601,038	S	*	9/2009	Middleton-Schluter	D9/709
D613,615	S	*	4/2010	Hedstrom	D9/702
D617,654	S	*	6/2010	Tawinsook	D9/702
D642,069	S	*	7/2011	LaFauci et al.	D9/707
D660,179	S	*	5/2012	Bray	D9/707
8,449,186	B2	*	5/2013	Bray	383/38
D694,651	S	*	12/2013	Sam	D9/709
D710,212	S	*	8/2014	Coleman	D9/709

* cited by examiner

Primary Examiner — Caron D Veynar

Assistant Examiner — Abraham Bahta

(74) *Attorney, Agent, or Firm* — Raymond Y. Chan; David and Raymond Patent Firm

(57) **CLAIM**

The ornamental design for a container bag with multiple sealable locks, as shown and described.

DESCRIPTION

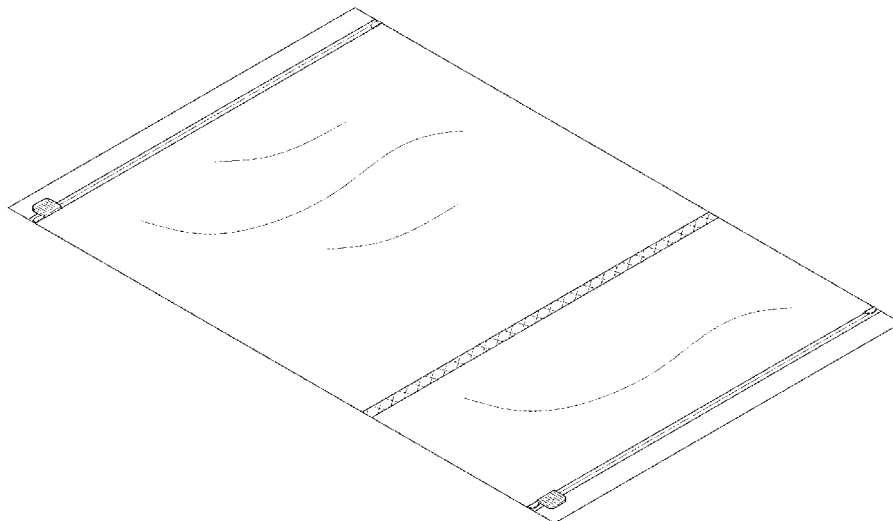
FIG. 1 is a perspective view of a container bag with multiple sealable locks showing my new design.

FIG. 2 is a front view thereof; and,

FIG. 3 is a perspective view thereof, illustrating foods and snacks being individually sealed in the container bag.

The broken line portion of the figure drawings is included to show unclaimed subject matter only and forms no part of the claimed design.

1 Claim, 3 Drawing Sheets



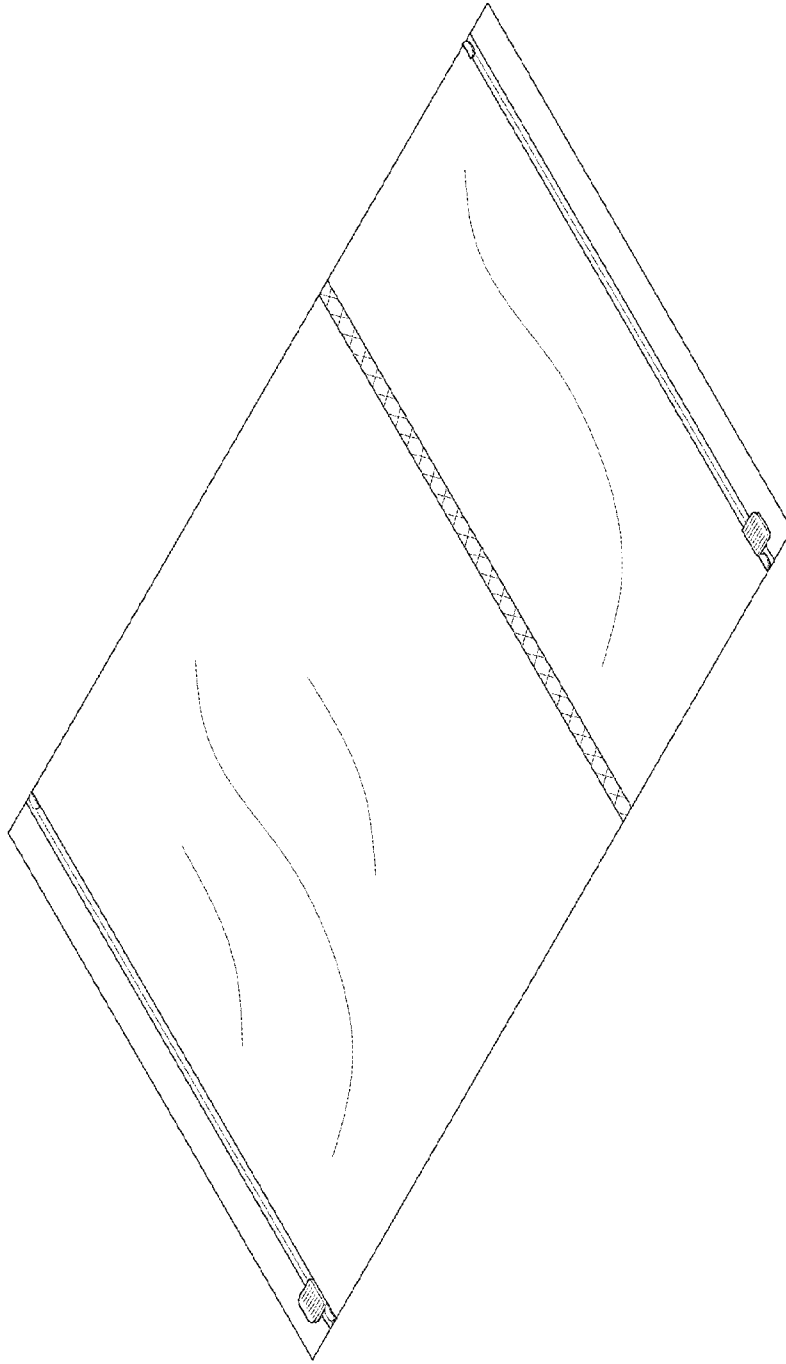


FIG.1

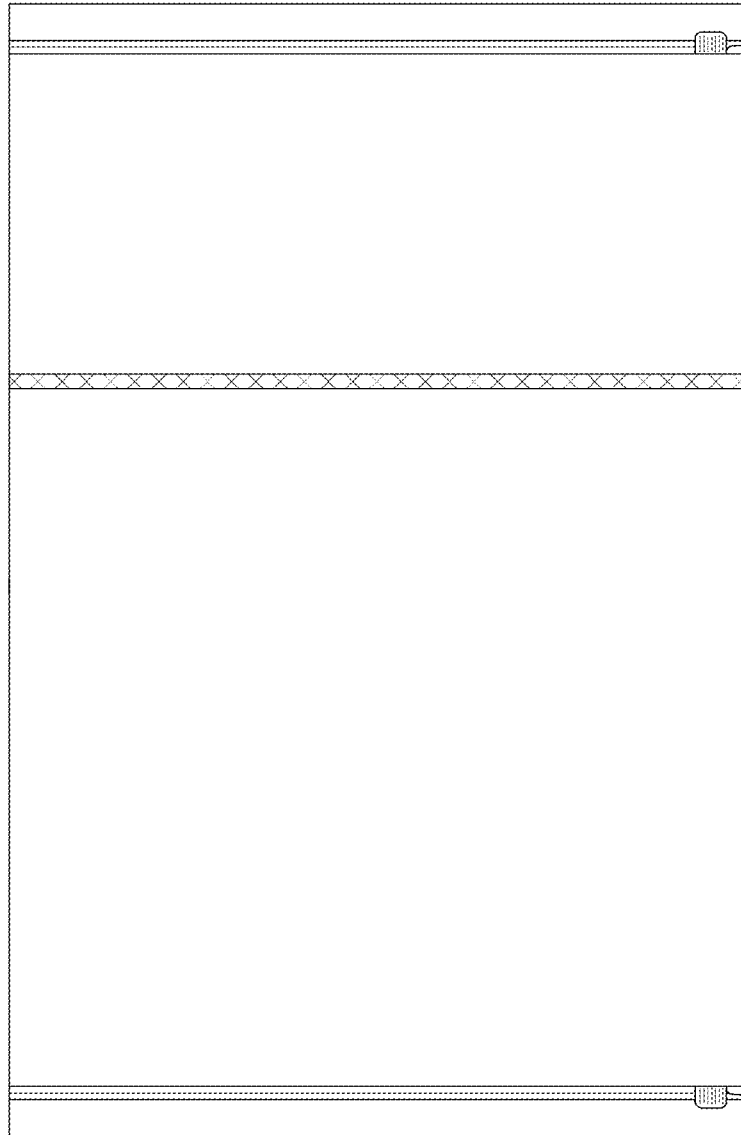


FIG.2

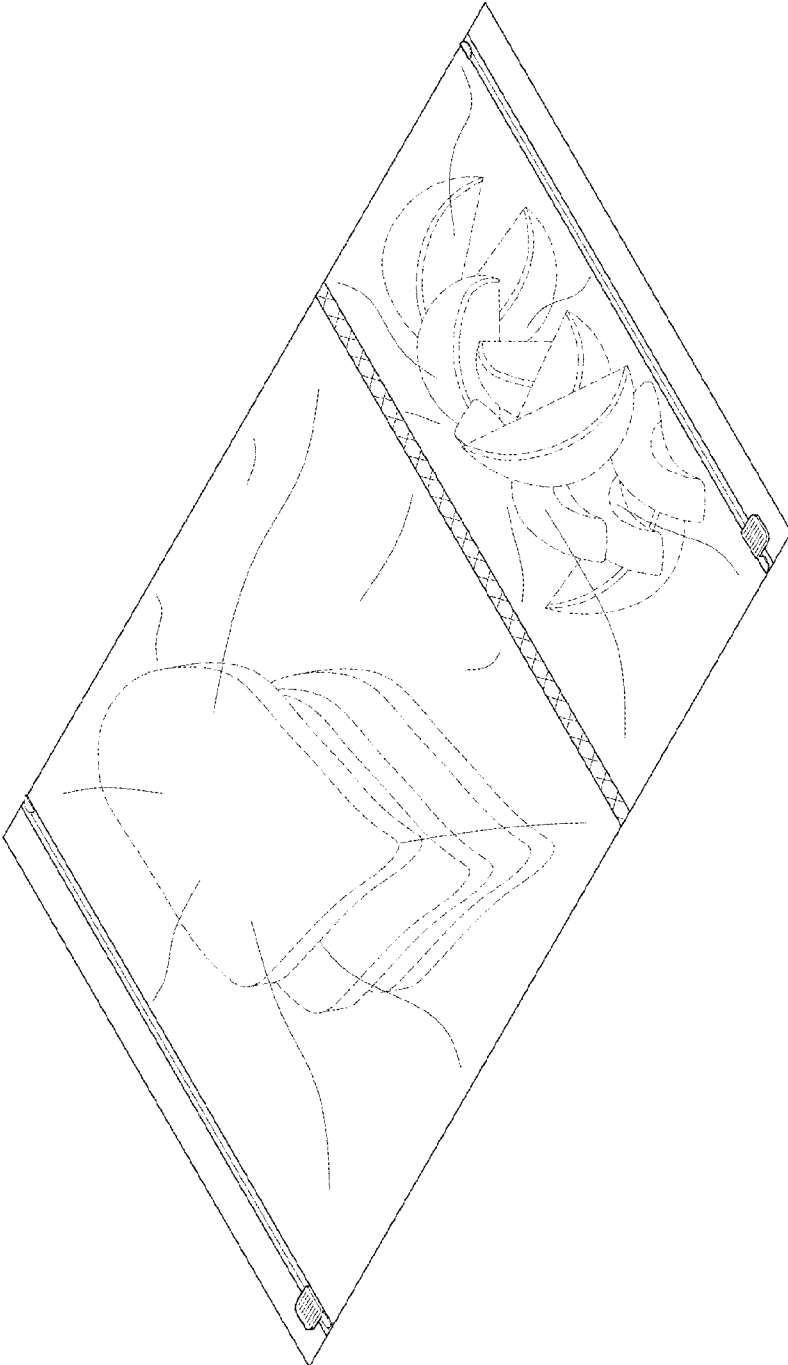


FIG.3