

(19) World Intellectual Property Organization
International Bureau



(43) International Publication Date
19 August 2004 (19.08.2004)

PCT

(10) International Publication Number
WO 2004/070457 A3

- (51) International Patent Classification:
H04J 14/02 (2006.01)
- (21) International Application Number:
PCT/US2004/003383
- (22) International Filing Date: 6 February 2004 (06.02.2004)
- (25) Filing Language: English
- (26) Publication Language: English
- (30) Priority Data:
60/445,965 7 February 2003 (07.02.2003) US
- (71) Applicant (for all designated States except US): **IPG PHOTONICS CORPORATION** [US/US]; 50 Old Webster Road, Oxford, Massachusetts 01540 (US).
- (72) Inventors; and
- (75) Inventors/Applicants (for US only): **BUABBUD, George** [US/US]; 8 Country Way, Shrewsbury, Massachusetts 01545 (US). **LEONARD, JR., Dennis P.** [US/US]; 119 Oakwood Drive, East Brookfield, Massachusetts 01515 (US). **FUCHS, Wolfram Bern** [US/US]; 59 Tower Hill Road, Brimfield, Massachusetts 01010 (US). **SAMARTSEV, Igor** [RU/RU]; Barsky prudi 5-281, Fryazino, Moscow, 141195 (RU).

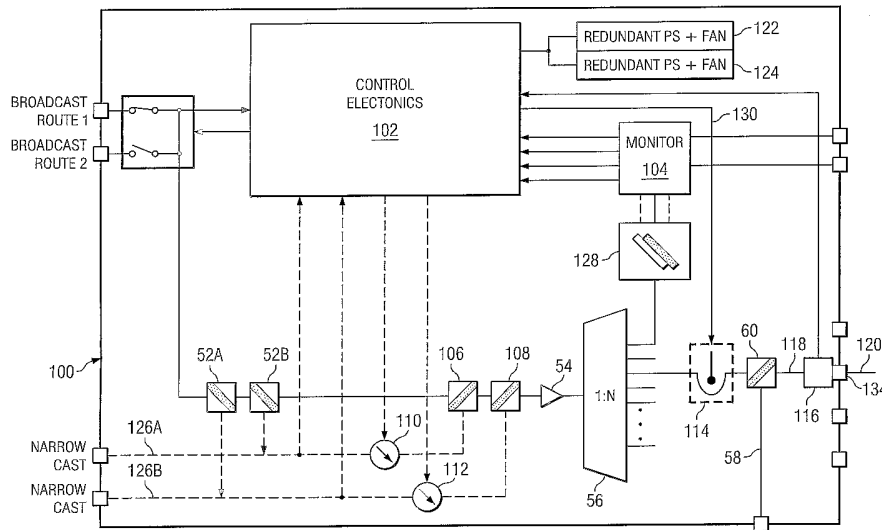
- (74) Agent: **KESTERSON, James C.**; 17950 Preston Road, Suite 1000, Dallas, Texas 75252 (US).
- (81) Designated States (unless otherwise indicated, for every kind of national protection available): AE, AG, AL, AM, AT, AU, AZ, BA, BB, BG, BR, BW, BY, BZ, CA, CH, CN, CO, CR, CU, CZ, DE, DK, DM, DZ, EC, EE, EG, ES, FI, GB, GD, GE, GH, GM, HR, HU, ID, IL, IN, IS, JP, KE, KG, KP, KR, KZ, LC, LK, LR, LS, LT, LU, LV, MA, MD, MG, MK, MN, MW, MX, MZ, NA, NI, NO, NZ, OM, PG, PH, PL, PT, RO, RU, SC, SD, SE, SG, SK, SL, SY, TJ, TM, TN, TR, TT, TZ, UA, UG, US, UZ, VC, VN, YU, ZA, ZM, ZW.
- (84) Designated States (unless otherwise indicated, for every kind of regional protection available): ARIPO (BW, GH, GM, KE, LS, MW, MZ, SD, SL, SZ, TZ, UG, ZM, ZW), Eurasian (AM, AZ, BY, KG, KZ, MD, RU, TJ, TM), European (AT, BE, BG, CH, CY, CZ, DE, DK, EE, ES, FI, FR, GB, GR, HU, IE, IT, LU, MC, NL, PT, RO, SE, SI, SK, TR), OAPI (BF, BJ, CF, CG, CI, CM, GA, GN, GQ, GW, ML, MR, NE, SN, TD, TG).

Published:

- with international search report
- before the expiration of the time limit for amending the claims and to be republished in the event of receipt of amendments

[Continued on next page]

(54) Title: MULTIPORT OPTICAL AMPLIFIER WITH NARROWCAST POWER EQUALIZATION



(57) Abstract: Apparatus and method for equalizing a multiplicity of amplifier optical output signals comprised of a combined broadcast optical signal and a narrowcast optical signal having different bands of wavelengths of light by adjusting the power output level of at least one the signals in response to an amplified sample of the signal. A light switch (114) or attenuator (110, 112) and a sensor (116) for determining whether a transmission fiber (120) is in place is connected to each of the multiplicity of optical output signals to allow the optical output signals to be turned on and off for maintenance and repair.

WO 2004/070457 A3



(88) Date of publication of the international search report:

17 August 2006

For two-letter codes and other abbreviations, refer to the "Guidance Notes on Codes and Abbreviations" appearing at the beginning of each regular issue of the PCT Gazette.

INTERNATIONAL SEARCH REPORT

International application No.

PCT/US04/03383

A. CLASSIFICATION OF SUBJECT MATTER
 IPC: **H04J 14/02(2006.01)**

USPC: 398/94
 According to International Patent Classification (IPC) or to both national classification and IPC

B. FIELDS SEARCHED

Minimum documentation searched (classification system followed by classification symbols)
 U.S. : 398/94, 177, 197

Documentation searched other than minimum documentation to the extent that such documents are included in the fields searched

Electronic data base consulted during the international search (name of data base and, where practicable, search terms used)

C. DOCUMENTS CONSIDERED TO BE RELEVANT

Category *	Citation of document, with indication, where appropriate, of the relevant passages	Relevant to claim No.
X --- Y	US 2002/0163690 A1 (YANG) 07 November 2002 (07.11.2002), Figures 2 and 3, and paragraphs [0045]-[0050].	1, 2, 4-7, 10-13, 16-18, 20-23, 25, 26 ----- 3, 8, 9, 14, 15, 19, 24, 27
Y	US 4,449,043 A (HUSBANDS) 15 May 1984 (15.05.1984), see Figure and column 4, lines 19-60.	8, 14, 24, 27
Y	US 6,335,823 B1 (OHSHIMA et al.) 01 January 2002 (01.01.2002), column 3, lines 24-29.	3, 19
Y	US 4,688,260 A (SHUTTERLY et al.) 18 August 1987 (18.08.1987), column 9, lines 48-56.	3, 19
Y	US 5,394,489 A (KOCH) 28 February 1995 (28.02.1995), Figure 1.	9, 15

Further documents are listed in the continuation of Box C. See patent family annex.

* Special categories of cited documents:	"T" later document published after the international filing date or priority date and not in conflict with the application but cited to understand the principle or theory underlying the invention
"A" document defining the general state of the art which is not considered to be of particular relevance	"X" document of particular relevance; the claimed invention cannot be considered novel or cannot be considered to involve an inventive step when the document is taken alone
"E" earlier application or patent published on or after the international filing date	"Y" document of particular relevance; the claimed invention cannot be considered to involve an inventive step when the document is combined with one or more other such documents, such combination being obvious to a person skilled in the art
"L" document which may throw doubts on priority claim(s) or which is cited to establish the publication date of another citation or other special reason (as specified)	"&" document member of the same patent family
"O" document referring to an oral disclosure, use, exhibition or other means	
"P" document published prior to the international filing date but later than the priority date claimed	

Date of the actual completion of the international search 16 February 2006 (16.02.2006)	Date of mailing of the international search report 27 JUN 2006
Name and mailing address of the ISA/US Mail Stop PCT, Attn: ISA/US Commissioner for Patents P.O. Box 1450 Alexandria, Virginia 22313-1450 Facsimile No. (571) 273-3201	Authorized officer <i>Jason Chan</i> Jason Chan Telephone No. 703-305-4700