



US00D555446S

(12) **United States Design Patent**  
**Picaza Ibarrondo**

(10) **Patent No.:** **US D555,446 S**

(45) **Date of Patent:** **\*\* Nov. 20, 2007**

(54) **BLOW TORCH**

(75) Inventor: **Jose Ignacio Picaza Ibarrondo**,  
Abadino (Vizcaya) (ES)

(73) Assignee: **Rothenberger, S.A.**, Abadiano  
(Vizcaya) (ES)

(\*\*) Term: **14 Years**

(21) Appl. No.: **29/246,244**

(22) Filed: **Mar. 27, 2006**

(51) **LOC (8) Cl.** ..... **08-05**

(52) **U.S. Cl.** ..... **D8/30; D15/144**

(58) **Field of Classification Search** ..... D8/30,  
D8/14, 29.1; D15/144; 219/137.7, 137.31,  
219/137.42, 137.62; 266/48; 239/414  
See application file for complete search history.

(56) **References Cited**

**U.S. PATENT DOCUMENTS**

- D296,863 S \* 7/1988 Vigneau ..... D8/30
- D326,594 S \* 6/1992 Haberman ..... D8/30
- D343,629 S \* 1/1994 Bode ..... D15/144
- D346,390 S \* 4/1994 Sperling et al. .... D15/144
- 6,025,574 A \* 2/2000 Colangelo, Jr. .... 219/137.31

- 6,225,599 B1 \* 5/2001 Altekruze ..... 219/137.31
- 6,649,858 B2 \* 11/2003 Wakeman ..... 219/73.2
- 6,824,735 B2 \* 11/2004 Pryor ..... 266/48
- D514,606 S \* 2/2006 Picaza ..... D15/144.2
- 6,998,575 B1 \* 2/2006 Kensrue ..... 219/137.31
- D535,166 S \* 1/2007 Kensrue et al. .... D8/30

\* cited by examiner

*Primary Examiner*—Philip S. Hyder

(74) *Attorney, Agent, or Firm*—Lucas & Mercanti, LLP

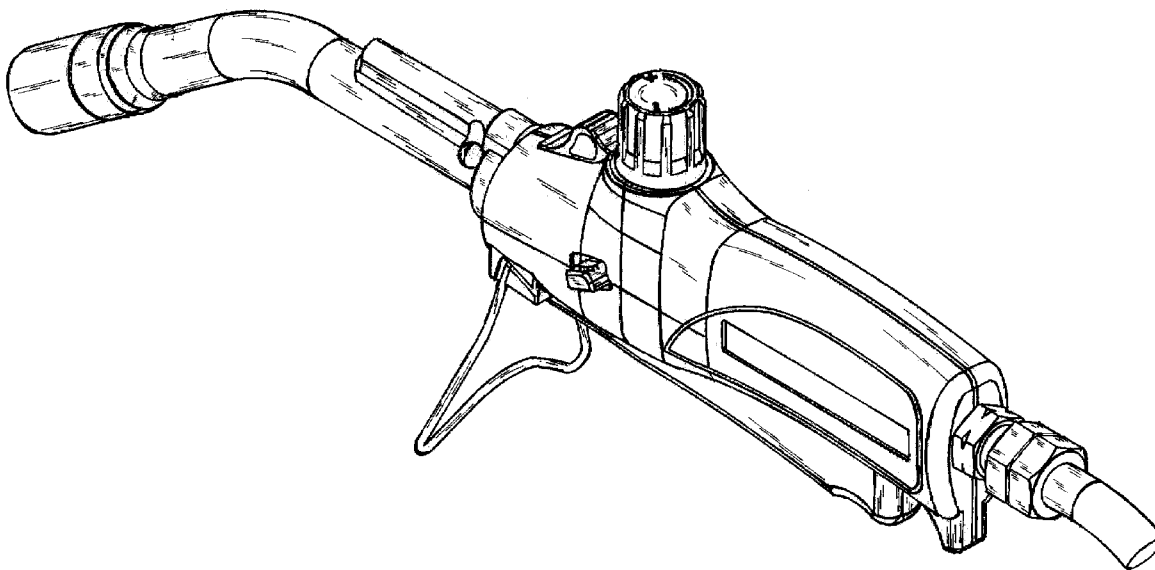
(57) **CLAIM**

The ornamental design for a blow torch, substantially as shown and described.

**DESCRIPTION**

FIG. 1 is a front view of my blow torch design;  
 FIG. 2 is a back view of my blow torch design;  
 FIG. 3 is a right-side view of my blow torch design;  
 FIG. 4 is a left-side view of my blow torch design;  
 FIG. 5 is a top view of my blow torch design;  
 FIG. 6 is a bottom view of my blow torch design; and,  
 FIG. 7 is a perspective view of my blow torch design.

**1 Claim, 7 Drawing Sheets**



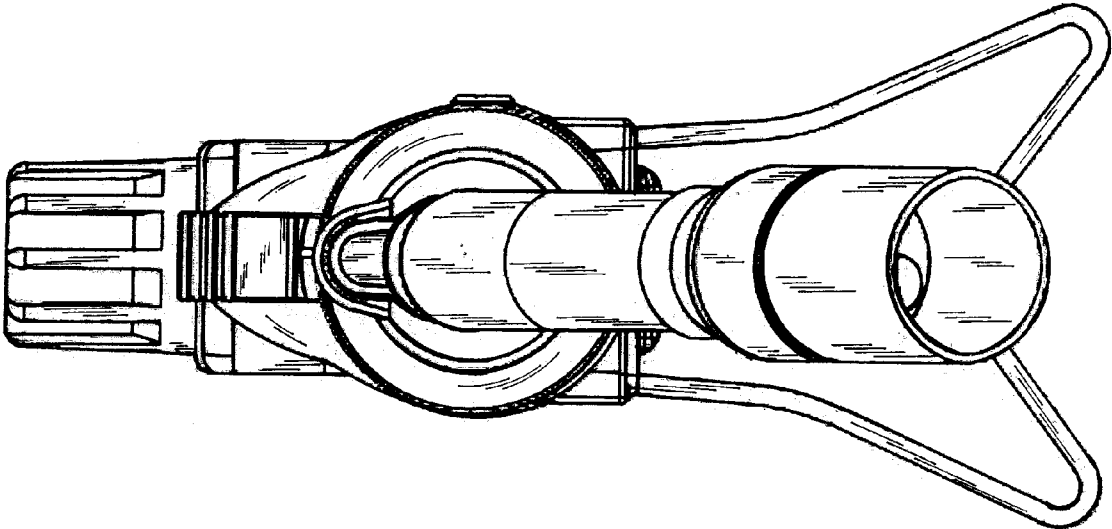
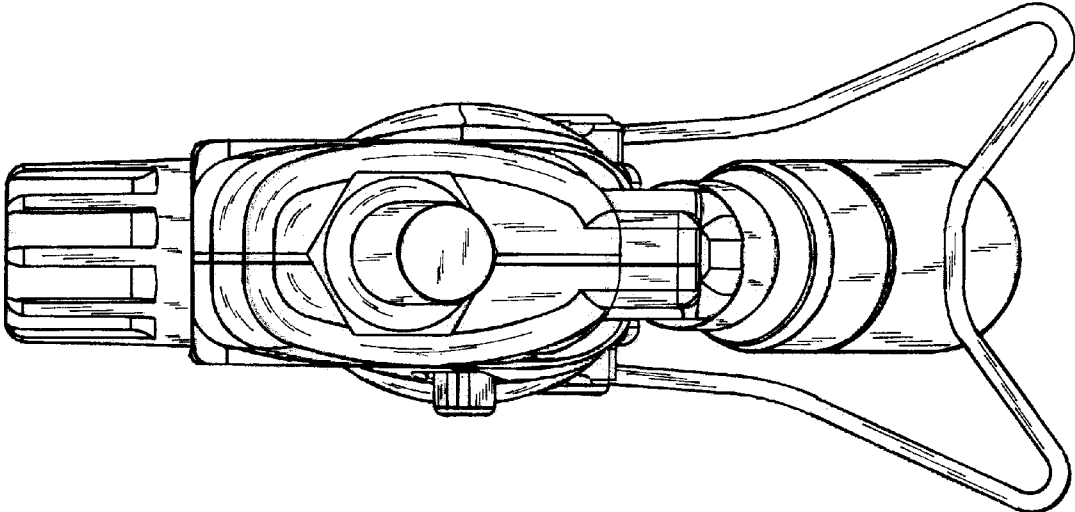


Fig.1

Fig. 2



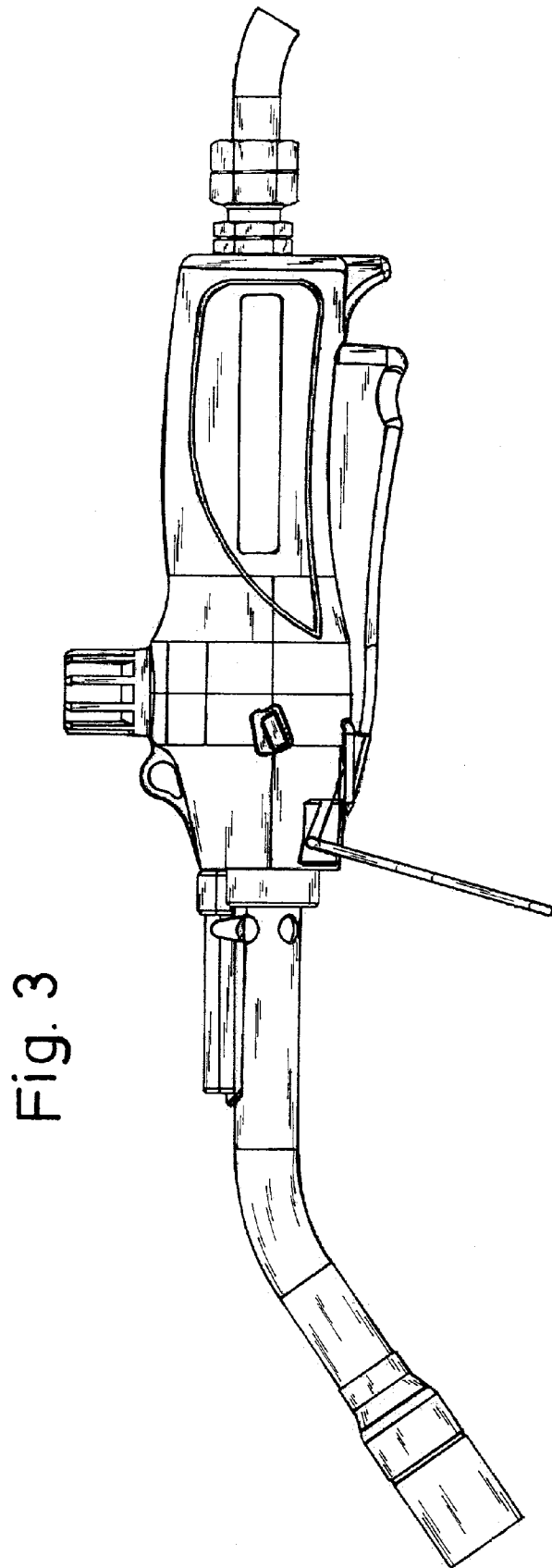


Fig. 4

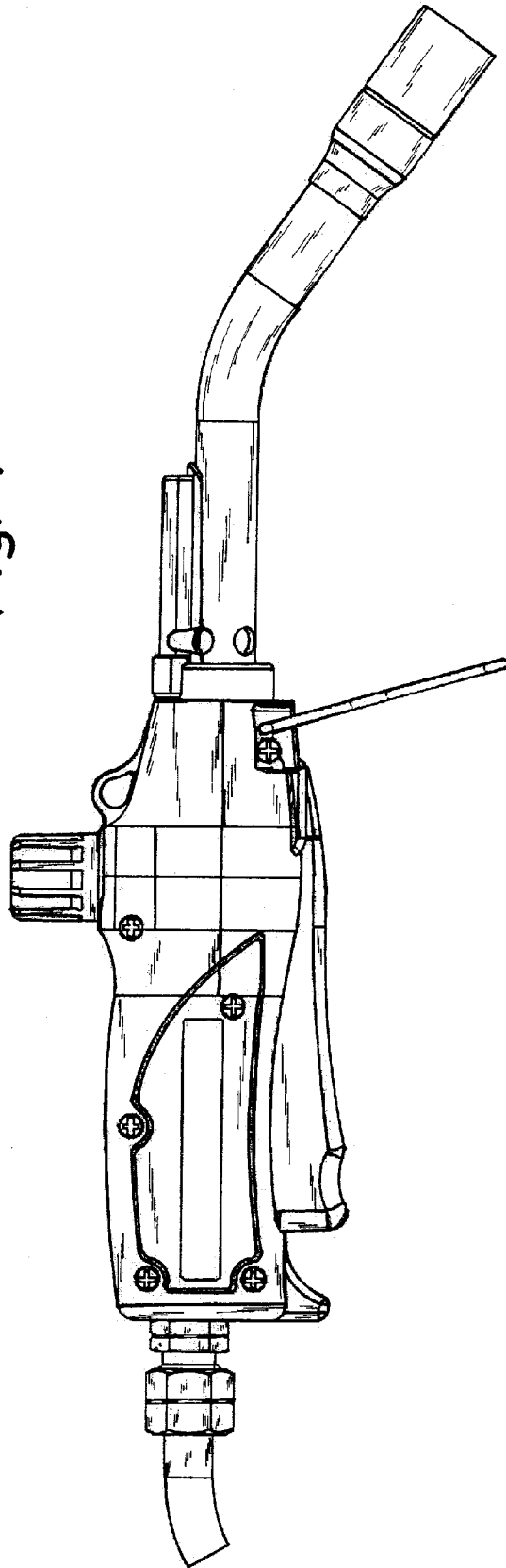


Fig. 5

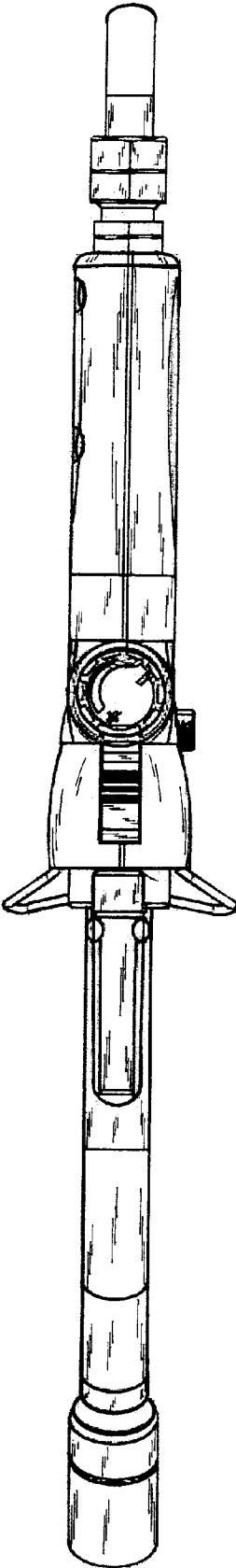
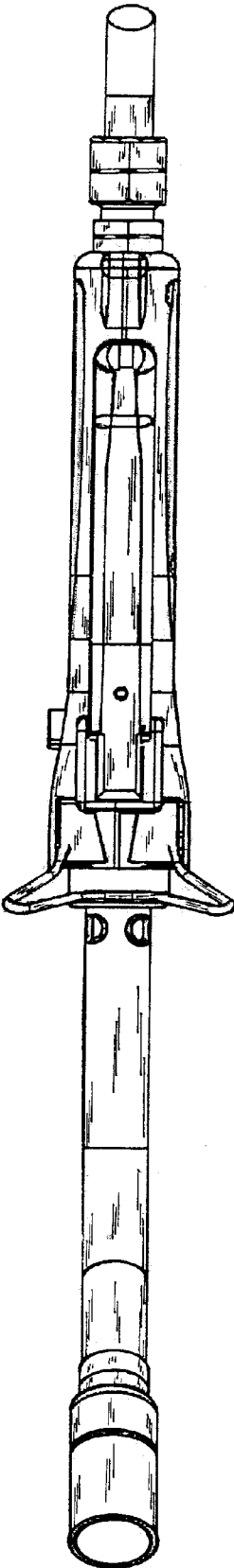


Fig. 6



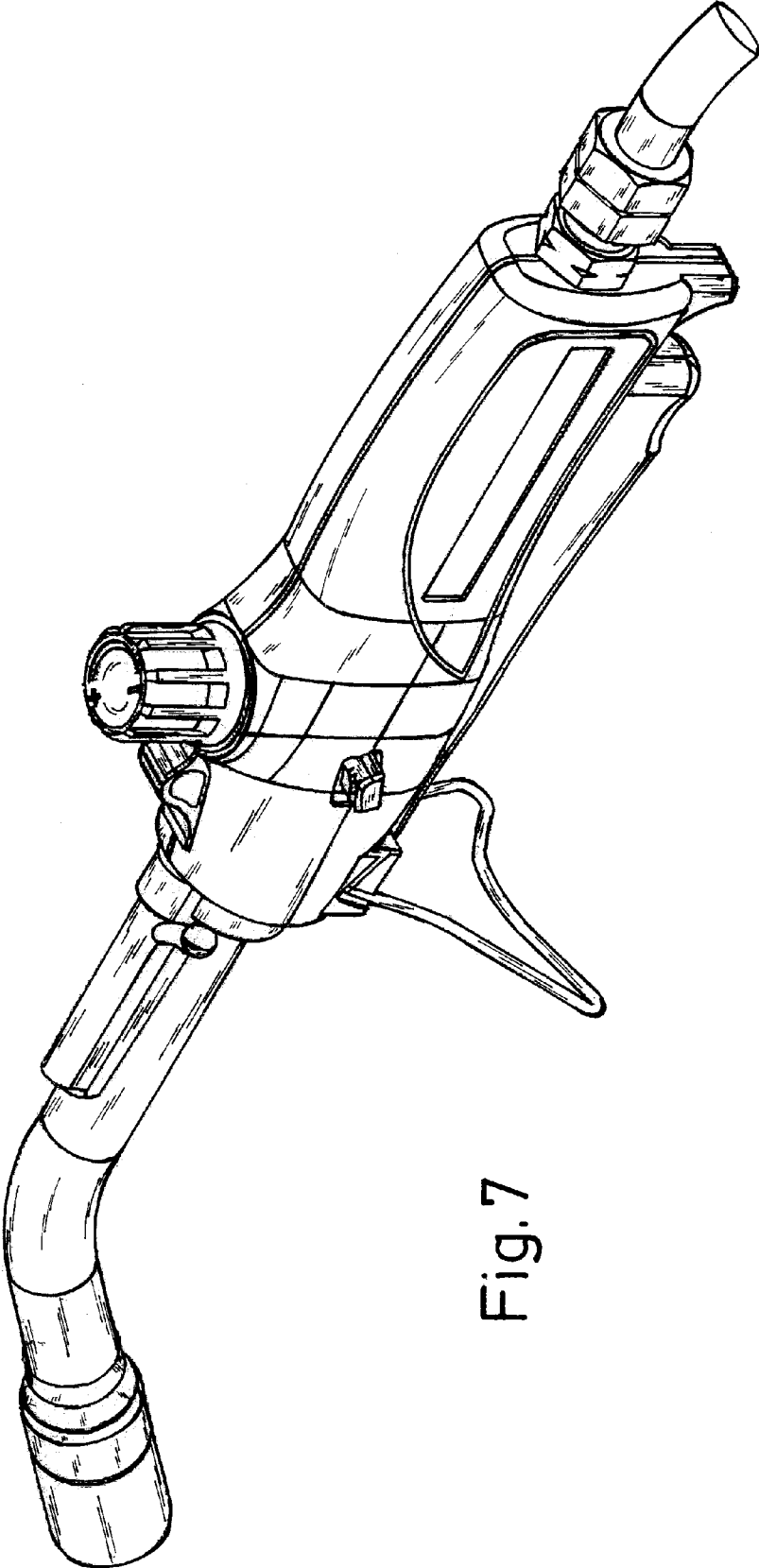


Fig. 7