

CORRECTED VERSION

(19) World Intellectual Property Organization
International Bureau



(43) International Publication Date
18 February 2010 (18.02.2010)

PCT

(10) International Publication Number
WO 2010/017821 A8

(51) International Patent Classification:
A61K 9/28 (2006.01) A61K 31/403 (2006.01)

(21) International Application Number:
PCT/DK2009/050201

(22) International Filing Date:
14 August 2009 (14.08.2009)

(25) Filing Language: English

(26) Publication Language: English

(30) Priority Data:
61/088,859 14 August 2008 (14.08.2008) US

(72) Inventor; and

(71) Applicant : BAR-SHALOM, Daniel [IL/DK];
Rypevænget 213, DK-2980 Kokkedal (DK).

(72) Inventor; and

(75) Inventor/Applicant (for US only): Naelapää, Kaisa [EE/DK];
Brohusgade 14A 1, th, 2200 Copenhagen N (DK).

(74) Agent: POULSEN, Niels, Jakob; VALUA ApS, Fruebjergvej 3, DK-2100 Copenhagen (DK).

(81) Designated States (unless otherwise indicated, for every kind of national protection available): AE, AG, AL, AM, AO, AT, AU, AZ, BA, BB, BG, BH, BR, BW, BY, BZ, CA, CH, CL, CN, CO, CR, CU, CZ, DE, DK, DM, DO, DZ, EC, EE, EG, ES, FI, GB, GD, GE, GH, GM, GT,

HN, HR, HU, ID, IL, IN, IS, JP, KE, KG, KM, KN, KP, KR, KZ, LA, LC, LK, LR, LS, LT, LU, LY, MA, MD, ME, MG, MK, MN, MW, MX, MY, MZ, NA, NG, NI, NO, NZ, OM, PE, PG, PH, PL, PT, RO, RS, RU, SC, SD, SE, SG, SK, SL, SM, ST, SV, SY, TJ, TM, TN, TR, TT, TZ, UA, UG, US, UZ, VC, VN, ZA, ZM, ZW.

(84) Designated States (unless otherwise indicated, for every kind of regional protection available): ARIPO (BW, GH, GM, KE, LS, MW, MZ, NA, SD, SL, SZ, TZ, UG, ZM, ZW), Eurasian (AM, AZ, BY, KG, KZ, MD, RU, TJ, TM), European (AT, BE, BG, CH, CY, CZ, DE, DK, EE, ES, FI, FR, GB, GR, HR, HU, IE, IS, IT, LT, LU, LV, MC, MK, MT, NL, NO, PL, PT, RO, SE, SI, SK, SM, TR), OAPI (BF, BJ, CF, CG, CI, CM, GA, GN, GQ, GW, ML, MR, NE, SN, TD, TG).

Declarations under Rule 4.17:

— of inventorship (Rule 4.17(iv))

Published:

— with international search report (Art. 21(3))

(48) Date of publication of this corrected version:

17 June 2010

(15) Information about Correction:

see Notice of 17 June 2010

(54) Title: COATED TABLETS WITH A REMAINING DEGRADATION SURFACE OVER THE TIME

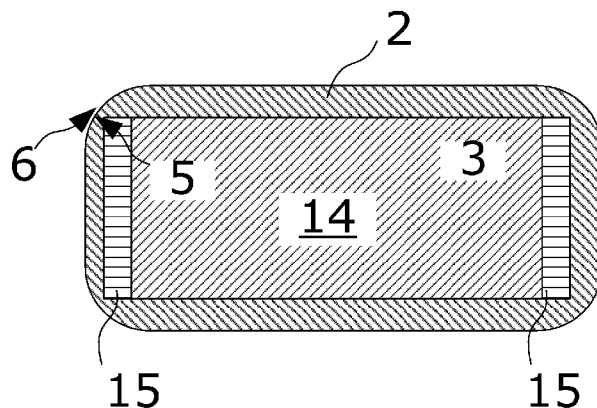


Fig. 8

(57) Abstract: The present invention relates to a pharmaceutical composition for controlled delivery of at least one active ingredient into an aqueous phase, said pharmaceutical composition comprising: a tablet, preferably obtainable by compression, said tablet comprising said at least one active ingredient and optionally excipients; and a coating, applied on said tablet, said coating covering at least part of said tablet to impede the release of said at least one active ingredient from at least part of the surface of said tablet, said coating being applied in a manner allowing the release of said at least one active ingredient from said tablet after contacting said pharmaceutical composition with said aqueous phase, establishing one or more degradation surfaces of said tablet; wherein the first derivative of the area of each degradation surface with respect to time is larger than or equal to zero.



WO 2010/017821 A8