



- (51) International Patent Classification:
E21B 21/10 (2006.01) *F16K 15/03* (2006.01)
- (21) International Application Number:
PCT/NO2012/000009
- (22) International Filing Date:
25 January 2012 (25.01.2012)
- (25) Filing Language: Norwegian
- (26) Publication Language: English
- (30) Priority Data:
20110108 25 January 2011 (25.01.2011) NO
- (71) Applicant (for all designated States except US): **TS INNOVATION AS** [NO/NO]; Fabrikkeveien 13, N-4323 Sandnes (NO).
- (72) Inventor; and
(75) Inventor/Applicant (for US only): **SOLTVEDT, Terje Morten** [NO/NO]; Veidemannsvei 12A, N-4328 Sandnes (NO).
- (74) Agent: **OSLO PATENTKONTOR AS**; P.O. Box 7007M, N-0306 Oslo (NO).
- (81) Designated States (unless otherwise indicated, for every kind of national protection available): AE, AG, AL, AM, AO, AT, AU, AZ, BA, BB, BG, BH, BR, BW, BY, BZ, CA, CH, CL, CN, CO, CR, CU, CZ, DE, DK, DM, DO,

DZ, EC, EE, EG, ES, FI, GB, GD, GE, GH, GM, GT, HN, HR, HU, ID, IL, IN, IS, JP, KE, KG, KM, KN, KP, KR, KZ, LA, LC, LK, LR, LS, LT, LU, LY, MA, MD, ME, MG, MK, MN, MW, MX, MY, MZ, NA, NG, NI, NO, NZ, OM, PE, PG, PH, PL, PT, QA, RO, RS, RU, RW, SC, SD, SE, SG, SK, SL, SM, ST, SV, SY, TH, TJ, TM, TN, TR, TT, TZ, UA, UG, US, UZ, VC, VN, ZA, ZM, ZW.

(84) Designated States (unless otherwise indicated, for every kind of regional protection available): ARIPO (BW, GH, GM, KE, LR, LS, MW, MZ, NA, RW, SD, SL, SZ, TZ, UG, ZM, ZW), Eurasian (AM, AZ, BY, KG, KZ, MD, RU, TJ, TM), European (AL, AT, BE, BG, CH, CY, CZ, DE, DK, EE, ES, FI, FR, GB, GR, HR, HU, IE, IS, IT, LT, LU, LV, MC, MK, MT, NL, NO, PL, PT, RO, RS, SE, SI, SK, SM, TR), OAPI (BF, BJ, CF, CG, CI, CM, GA, GN, GQ, GW, ML, MR, NE, SN, TD, TG).

Declarations under Rule 4.17:

— as to applicant's entitlement to apply for and be granted a patent (Rule 4.17(ii))

Published:

— with international search report (Art. 21(3))
— before the expiration of the time limit for amending the claims and to be republished in the event of receipt of amendments (Rule 48.2(h))

[Continued on next page]

(54) Title: CHECK VALVE

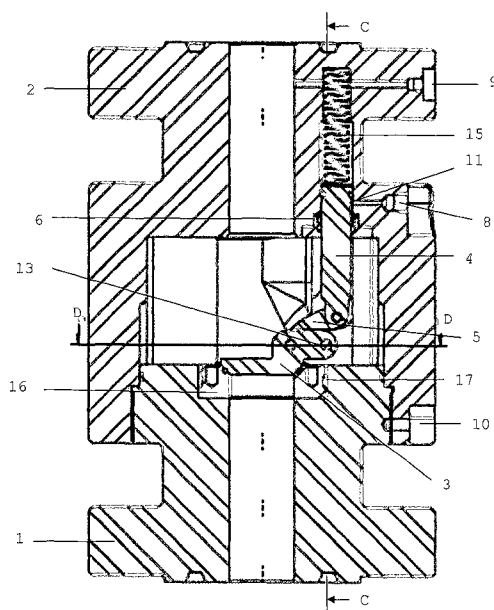


Fig. 3

(57) Abstract: The present invention provides a check valve comprising a valve housing (1,2), a substantially circular flapper (3), a valve seat (16) for the flapper (3), an expandable chamber (11) in fluid contact with a connecting port (8) for hydraulics fluid, and a piston (4) having a first and a second end, the flapper comprises a first (19) and a second (18) connection point and is pivotably connected at the first connection point (19), said flapper is capable of pivoting between a closed position in close contact with the valve seat (16) and an open position which allows fluid to flow through the valve, the piston (4) is in contact with the expandable chamber (11) and a pre-stressed compressible device (15), said piston (4) pivotably connected at the first end to the flapper (3) via the second connection point (18), wherein the compressible device (15) can move the piston (4) in a direction towards the valve seat (16), and that hydraulics fluid can move the piston (4) in a direction away from the valve seat when sufficient hydraulics fluid is supplied through the connection port (8) to expand the chamber (11), and that the second connection point (18) is situated closer to the center of the circular part of the flapper than the first connection point (19), such that the flapper (3) comes into close contact with the valve seat (16) when the piston (4) is moved in a direction towards said valve seat and the flapper will pivot around the first connection point (19) in a direction towards the piston (4) when the piston is moved in a direction away from the valve seat (16).

(88) Date of publication of the international search report:
13 December 2012

INTERNATIONAL SEARCH REPORT

International application No PCT/N02012/000009

A. CLASSIFICATION OF SUBJECT MATTER
 INV. E21B21/10 F16K15/03
 ADD.

According to International Patent Classification (IPC) or to both national classification and IPC

B. FIELDS SEARCHED

Minimum documentation searched (classification system followed by classification symbols)
 E21B F16K

Documentation searched other than minimum documentation to the extent that such documents are included in the fields searched

Electronic data base consulted during the international search (name of data base and, where practicable, search terms used)

EPO-Internal, WPI Data

C. DOCUMENTS CONSIDERED TO BE RELEVANT

Category*	Citation of document, with indication, where appropriate, of the relevant passages	Relevant to claim No.
A	US 4 907 650 A (HEINONEN ROBERT L [US]) 13 March 1990 (1990-03-13) the whole document -----	1-9

Further documents are listed in the continuation of Box C.

See patent family annex.

* Special categories of cited documents :

- "A" document defining the general state of the art which is not considered to be of particular relevance
- "E" earlier application or patent but published on or after the international filing date
- "L" document which may throw doubts on priority claim(s) or which is cited to establish the publication date of another citation or other special reason (as specified)
- "O" document referring to an oral disclosure, use, exhibition or other means
- "P" document published prior to the international filing date but later than the priority date claimed

- "T" later document published after the international filing date or priority date and not in conflict with the application but cited to understand the principle or theory underlying the invention
- "X" document of particular relevance; the claimed invention cannot be considered novel or cannot be considered to involve an inventive step when the document is taken alone
- "Y" document of particular relevance; the claimed invention cannot be considered to involve an inventive step when the document is combined with one or more other such documents, such combination being obvious to a person skilled in the art
- "&" document member of the same patent family

Date of the actual completion of the international search

8 October 2012

Date of mailing of the international search report

19/10/2012

Name and mailing address of the ISA/

European Patent Office, P.B. 5818 Patentlaan 2
 NL - 2280 HV Rijswijk
 Tel. (+31-70) 340-2040,
 Fax: (+31-70) 340-3016

Authorized officer

Schouten, Adri

INTERNATIONAL SEARCH REPORT

Information on patent family members

International application No
PCT/N02012/000009

Patent document cited in search report	Publication date	Patent family member(s)	Publication date
US 4907650	A	NONE	
