

(19) World Intellectual Property Organization
International Bureau



(43) International Publication Date
14 September 2006 (14.09.2006)

PCT

(10) International Publication Number
WO 2006/096670 A3

(51) International Patent Classification:

G08B 5/22 (2006.01) H04Q 7/00 (2006.01)
G08B 1/08 (2006.01) G01S 1/00 (2006.01)
G08B 13/14 (2006.01) H04B 7/185 (2006.01)
H04Q 1/30 (2006.01)

(21) International Application Number:

PCT/US2006/007995

(22) International Filing Date: 7 March 2006 (07.03.2006)

(25) Filing Language: English

(26) Publication Language: English

(30) Priority Data:

60/659,238 7 March 2005 (07.03.2005) US

(71) Applicant (for all designated States except US): **TERION, INC.** [US/US]; 5465 Legacy Drive, Suite 700, Plano, Texas 75024 (US).

(72) Inventor; and

(75) Inventor/Applicant (for US only): **WENDLER, Steve** [US/US]; 619 Fallbrook Drive, Flower Mound, Texas 75028 (US).

(74) Agents: **THIBODEAU, David, J., Jr.** et al.; Hamilton, Brook, Smith & Reynolds, P.C., 530 Virginia Road, P.O. Box 9133, Concord, Massachusetts 01742-9133 (US).

(81) Designated States (unless otherwise indicated, for every kind of national protection available): AE, AG, AL, AM, AT, AU, AZ, BA, BB, BG, BR, BW, BY, BZ, CA, CH, CN, CO, CR, CU, CZ, DE, DK, DM, DZ, EC, EE, EG, ES, FI, GB, GD, GE, GH, GM, HR, HU, ID, IL, IN, IS, JP, KE, KG, KM, KN, KP, KR, KZ, LC, LK, LR, LS, LT, LU, LV, LY, MA, MD, MG, MK, MN, MW, MX, MZ, NA, NG, NI, NO, NZ, OM, PG, PH, PL, PT, RO, RU, SC, SD, SE, SG, SK, SL, SM, SY, TJ, TM, TN, TR, TT, TZ, UA, UG, US, UZ, VC, VN, YU, ZA, ZM, ZW.

(84) Designated States (unless otherwise indicated, for every kind of regional protection available): ARIPO (BW, GH, GM, KE, LS, MW, MZ, NA, SD, SL, SZ, TZ, UG, ZM, ZW), Eurasian (AM, AZ, BY, KG, KZ, MD, RU, TJ, TM), European (AT, BE, BG, CH, CY, CZ, DE, DK, EE, ES, FI, FR, GB, GR, HU, IE, IS, IT, LT, LU, LV, MC, NL, PL, PT, RO, SE, SI, SK, TR), OAPI (BF, BJ, CF, CG, CI, CM, GA, GN, GQ, GW, ML, MR, NE, SN, TD, TG).

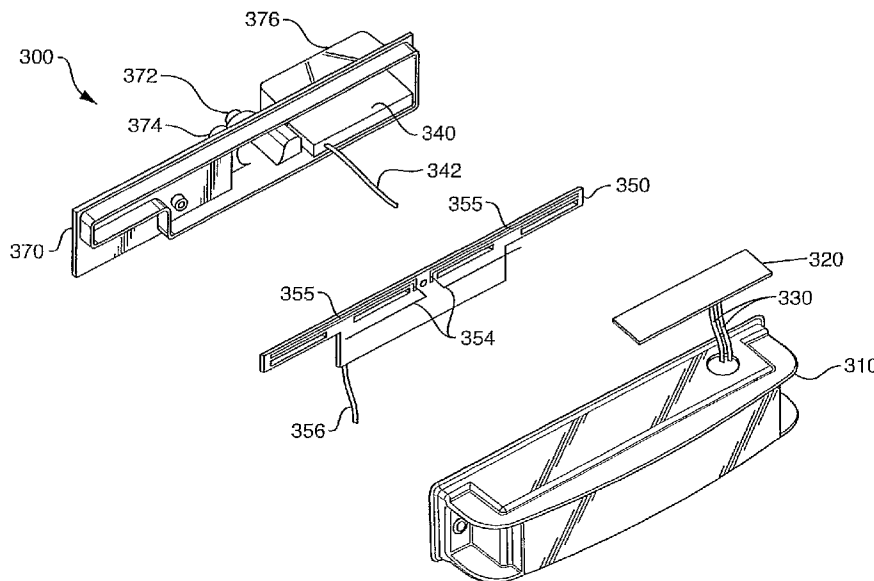
Published:

- with international search report
- before the expiration of the time limit for amending the claims and to be republished in the event of receipt of amendments

(88) Date of publication of the international search report:
3 May 2007

[Continued on next page]

(54) Title: INTEGRATION OF ANTENNA AND SOLAR CHARGER FOR REMOTE ASSET TRACKING



(57) Abstract: An apparatus comprises a solar (320) configured to provide power to an asset tracking device (200) and antennas (300) configured to provide signals to the asset tracking device (200). The solar array (320) comprises a bank of solar cells that are connected to the asset tracking device (200). The solar cells are configured to provide power to enable operation of the asset tracking device (200) when external power is not available to the asset tracking device. Power from the solar array (320) may be used to directly power the asset tracking device (200) and/or charge a battery (250) used by the asset tracking device (200). The antennas (300) may include a Global Navigation Satellite System (GNSS) antenna (340) as well as antennas (300) that are used by a wireless transceiver (230) to receive and transmit information to and from the asset tracking device (200), respectively.

WO 2006/096670 A3



For two-letter codes and other abbreviations, refer to the "Guidance Notes on Codes and Abbreviations" appearing at the beginning of each regular issue of the PCT Gazette.

INTERNATIONAL SEARCH REPORT

International application No.

PCT/US06/07995

A. CLASSIFICATION OF SUBJECT MATTER

IPC: G08B 5/22(2006.01),1/08(2006.01),13/14(2006.01);H04Q 1/30(2006.01),7/00(2006.01);G01S 1/00(2006.01);H04B 7/185(2006.01)

USPC: 340/7.32,539.13,572.7;342/357.07

According to International Patent Classification (IPC) or to both national classification and IPC

B. FIELDS SEARCHED

Minimum documentation searched (classification system followed by classification symbols)
U.S. : 340/7.32,539.13,572.7;342/357.07

Documentation searched other than minimum documentation to the extent that such documents are included in the fields searched

Electronic data base consulted during the international search (name of data base and, where practicable, search terms used)

C. DOCUMENTS CONSIDERED TO BE RELEVANT

Category *	Citation of document, with indication, where appropriate, of the relevant passages	Relevant to claim No.
X	US 6,339,397 B1 (BAKER) 15 January 2002 (15.01.2002), see entire document.	1-8
X	US 5,491,486 (WELLES, II et al.) 13 February 1996 (13.02.1996), see entire document.	1-8
X	US 4,750,197 (DENEKAMP et al.) 07 June 1988 (07.06.1988), see entire document.	1-8
X	US 5,917,433 (KEILLOR et al.) 29 June 1999 (29.06.1999), see entire document.	1-8

Further documents are listed in the continuation of Box C.

See patent family annex.

* Special categories of cited documents:

"A" document defining the general state of the art which is not considered to be of particular relevance

"T" later document published after the international filing date or priority date and not in conflict with the application but cited to understand the principle or theory underlying the invention

"E" earlier application or patent published on or after the international filing date

"X" document of particular relevance; the claimed invention cannot be considered novel or cannot be considered to involve an inventive step when the document is taken alone

"L" document which may throw doubts on priority claim(s) or which is cited to establish the publication date of another citation or other special reason (as specified)

"Y" document of particular relevance; the claimed invention cannot be considered to involve an inventive step when the document is combined with one or more other such documents, such combination being obvious to a person skilled in the art

"O" document referring to an oral disclosure, use, exhibition or other means

"P" document published prior to the international filing date but later than the priority date claimed

"&" document member of the same patent family

Date of the actual completion of the international search

15 February 2007 (15.02.2007)

Date of mailing of the international search report

05 MAR 2007

Name and mailing address of the ISA/US

Mail Stop PCT, Attn: ISA/US
Commissioner of Patents
P.O. Box 1450
Alexandria, Virginia 22313-1450

Authorized officer

Daniel J Wu

**Jacqueline A. Whitfield
Special Project Asst.**

Telephone No. 571-272-2600

Facsimile No. (571) 273-3201