



US00D877968S

(12) **United States Design Patent** (10) **Patent No.:** **US D877,968 S**
Santoro et al. (45) **Date of Patent:** **** Mar. 10, 2020**

(54) **LUMINAIRE**
(71) Applicant: **Fluxwerx Illumination Inc., Surrey (CA)**
(72) Inventors: **Scott Santoro, Delta (CA); Daniel Fortin, New Westminster (CA)**
(73) Assignee: **Lumenpulse Group Inc., Longueuil (CA)**
(**) Term: **15 Years**

Primary Examiner — Wan Laymon
Assistant Examiner — Clint A Samuel
(74) *Attorney, Agent, or Firm* — Oyen Wiggs Green & Mutala LLP

(57) **CLAIM**

The ornamental design for a luminaire, as shown and described.

(21) Appl. No.: **29/637,077**
(22) Filed: **Feb. 13, 2018**
(51) **LOC (12) Cl.** **09-03**
(52) **U.S. Cl.**
USPC **D26/124; D26/120; D26/123**
(58) **Field of Classification Search**
USPC ... D26/1, 2, 13, 24, 25, 36, 63, 69, 79, 120, D26/123, 124, 148, 149; D9/755, 756, D9/757; D7/354, 396.1, 398, 523
CPC F21V 5/08; F21V 5/077; F21V 7/0083; F21V 21/00; F21V 21/14; F21V 21/30; F21V 14/00; F21V 14/02; F21V 15/01; F21S 8/00; F21S 8/003; F21S 8/043
See application file for complete search history.

DESCRIPTION

FIG. 1 is a bottom view of a first embodiment of a luminaire, showing our new design;
FIG. 2 is a bottom perspective view thereof;
FIG. 3 is a bottom view of a second embodiment of the luminaire;
FIG. 4 is a bottom perspective view thereof;
FIG. 5 is a bottom view of a third embodiment of the luminaire;
FIG. 6 is a bottom perspective view thereof;
FIG. 7 is a bottom view of a fourth embodiment of the luminaire;
FIG. 8 is a bottom perspective view thereof;
FIG. 9 is a bottom view of a fifth embodiment of the luminaire;
FIG. 10 is a bottom perspective view thereof;
FIG. 11 is a bottom view of a sixth embodiment of the luminaire;
FIG. 12 is a bottom perspective view thereof;
FIG. 13 is a bottom view of a seventh embodiment of the luminaire; and,
FIG. 14 is a bottom perspective view thereof.
The broken lines shown in the drawings are for the purpose of illustrating environmental structure and form no part of the claimed design.
In FIGS. 11 and 12, the luminaire is shown with symbolic break lines along its length. The appearance of any portion of the article between the break lines forms no part of the claimed design.

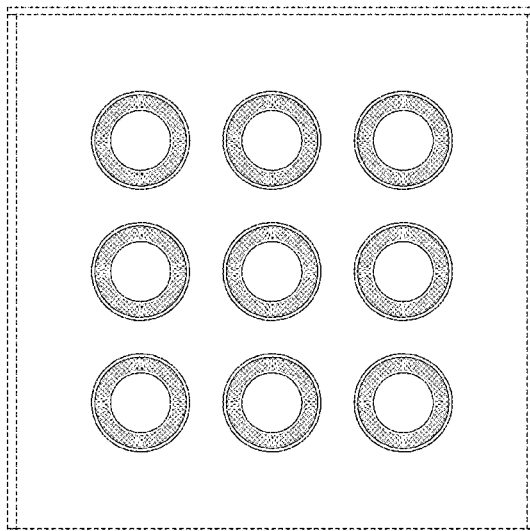
(56) **References Cited**

U.S. PATENT DOCUMENTS

D214,939 S * 8/1969 Arrigoni D25/143
D315,417 S * 3/1991 Ziaylek, Jr. D26/24
D367,941 S * 3/1996 Dolan D26/149
D562,489 S * 2/2008 Rashidi D26/118
D568,522 S * 5/2008 Engel D26/74
D569,542 S * 5/2008 Toda D26/122
D569,543 S * 5/2008 Toda D26/122
D581,082 S * 11/2008 Chan D26/74
D601,295 S * 9/2009 Brown D26/118
D618,373 S * 6/2010 Fukasawa D26/63
D626,255 S * 10/2010 Hiratsuka D26/1

(Continued)

1 Claim, 14 Drawing Sheets



(56)

References Cited

U.S. PATENT DOCUMENTS

D629,961	S	*	12/2010	Little, Jr.	D26/120
D633,636	S	*	3/2011	Gielen	D26/74
D639,486	S	*	6/2011	Wauters	D26/83
D640,822	S	*	6/2011	Wildner	D26/89
D641,914	S	*	7/2011	Sprengers	D26/89
D646,416	S	*	10/2011	Wauters	D26/63
D646,819	S	*	10/2011	Heyrman	D26/63
D647,658	S	*	10/2011	Wauters	D26/63
D650,111	S	*	12/2011	Herremans	D26/84
D662,246	S	*	6/2012	Herremans	D26/83
D662,248	S	*	6/2012	Wauters	D26/83
D698,649	S	*	2/2014	Quint	D7/400
D705,064	S	*	5/2014	Sy	D11/154
D706,479	S	*	6/2014	Jeswani	D26/74
D792,639	S	*	7/2017	Deyaf	D26/120
D799,895	S	*	10/2017	Westrick	D7/398
D807,558	S	*	1/2018	Guzzini	D26/74
D807,703	S	*	1/2018	Rupp	D7/523
D826,444	S	*	8/2018	Van Berkel	D26/63
D827,171	S	*	8/2018	Van Berkel	D26/63
D838,893	S	*	1/2019	Li	D26/74
D843,022	S	*	3/2019	Li	D26/24
2015/0252984	A1	*	9/2015	Van Bommel	F21V 14/00 362/84

* cited by examiner

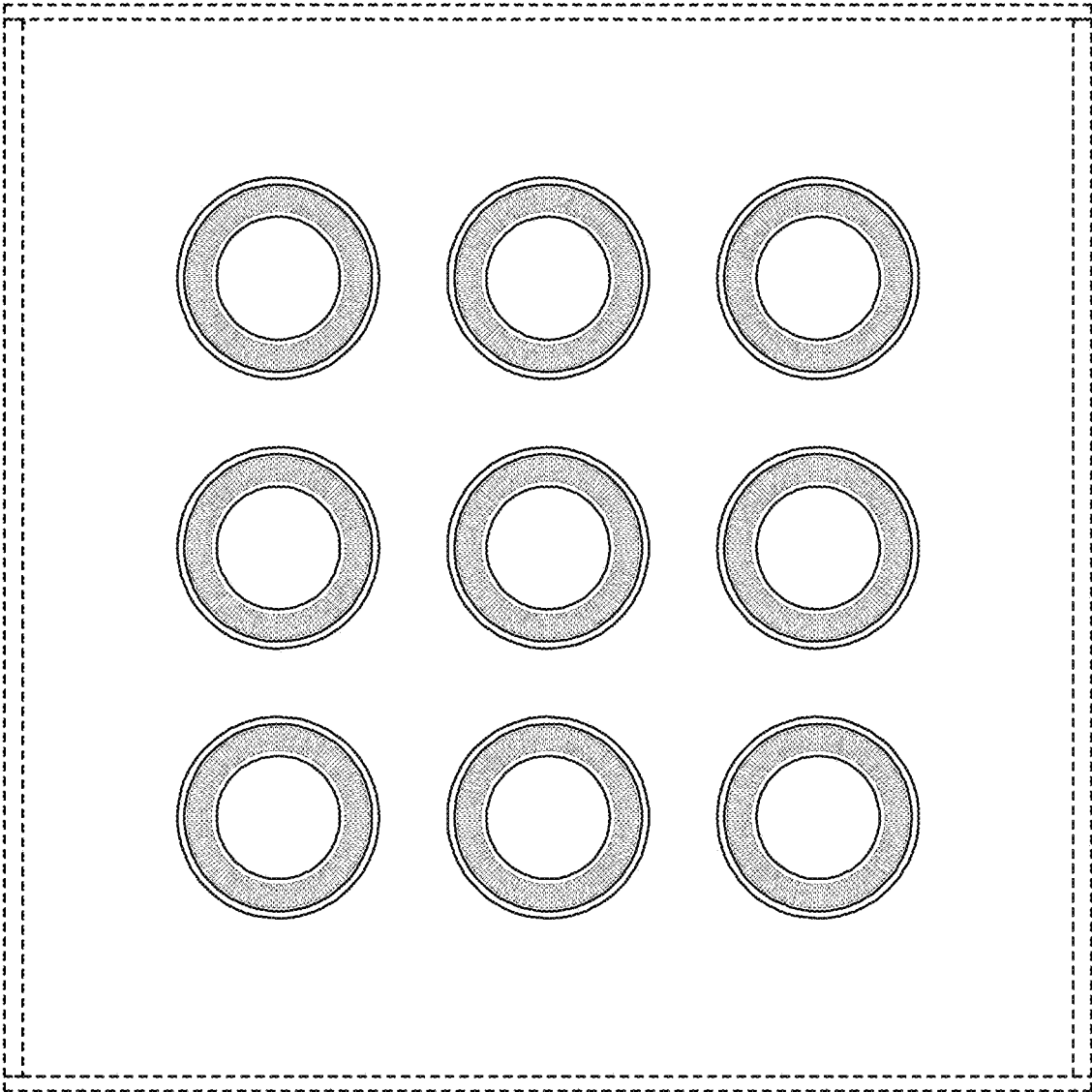


FIG. 1

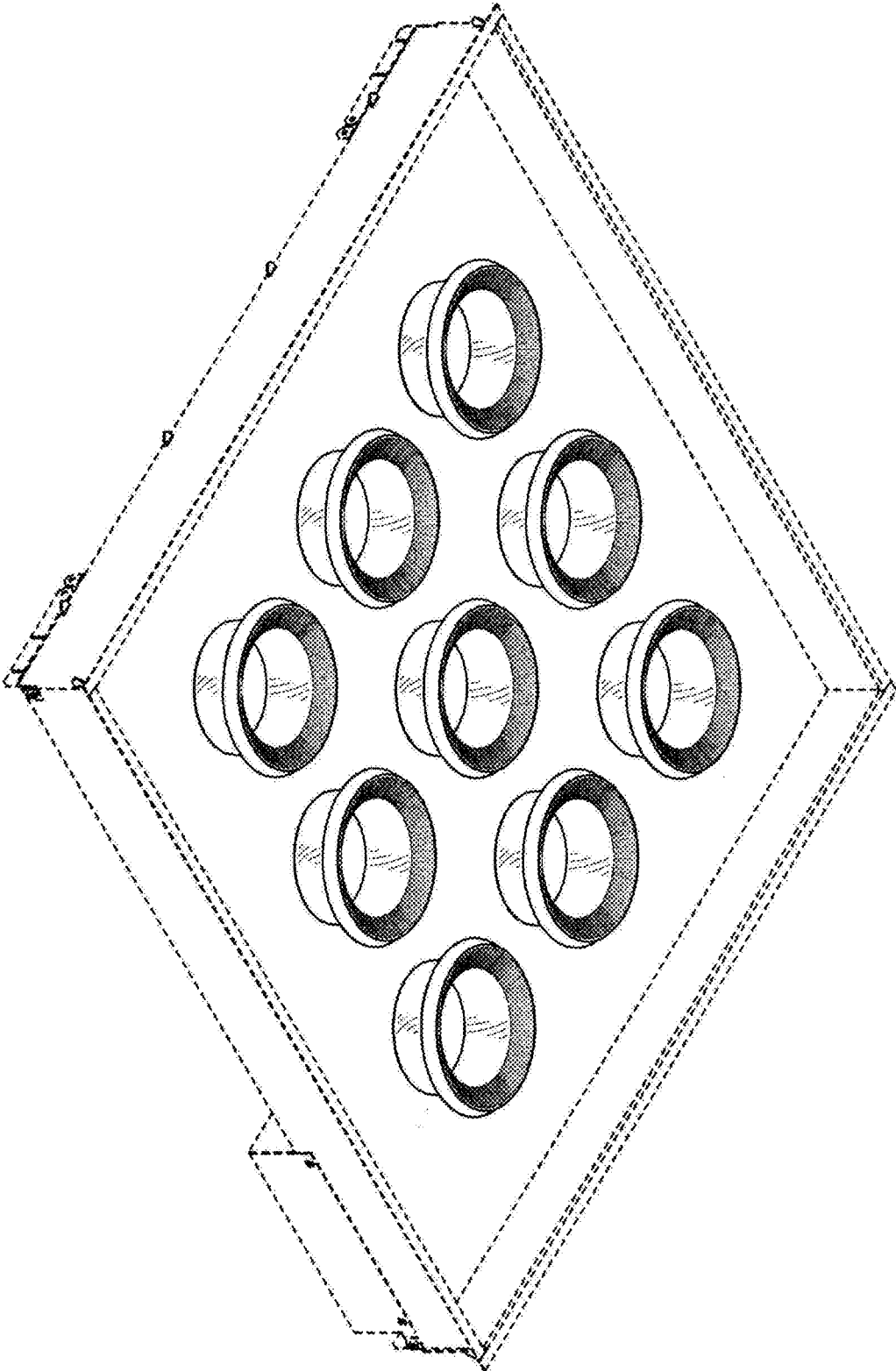


FIG. 2

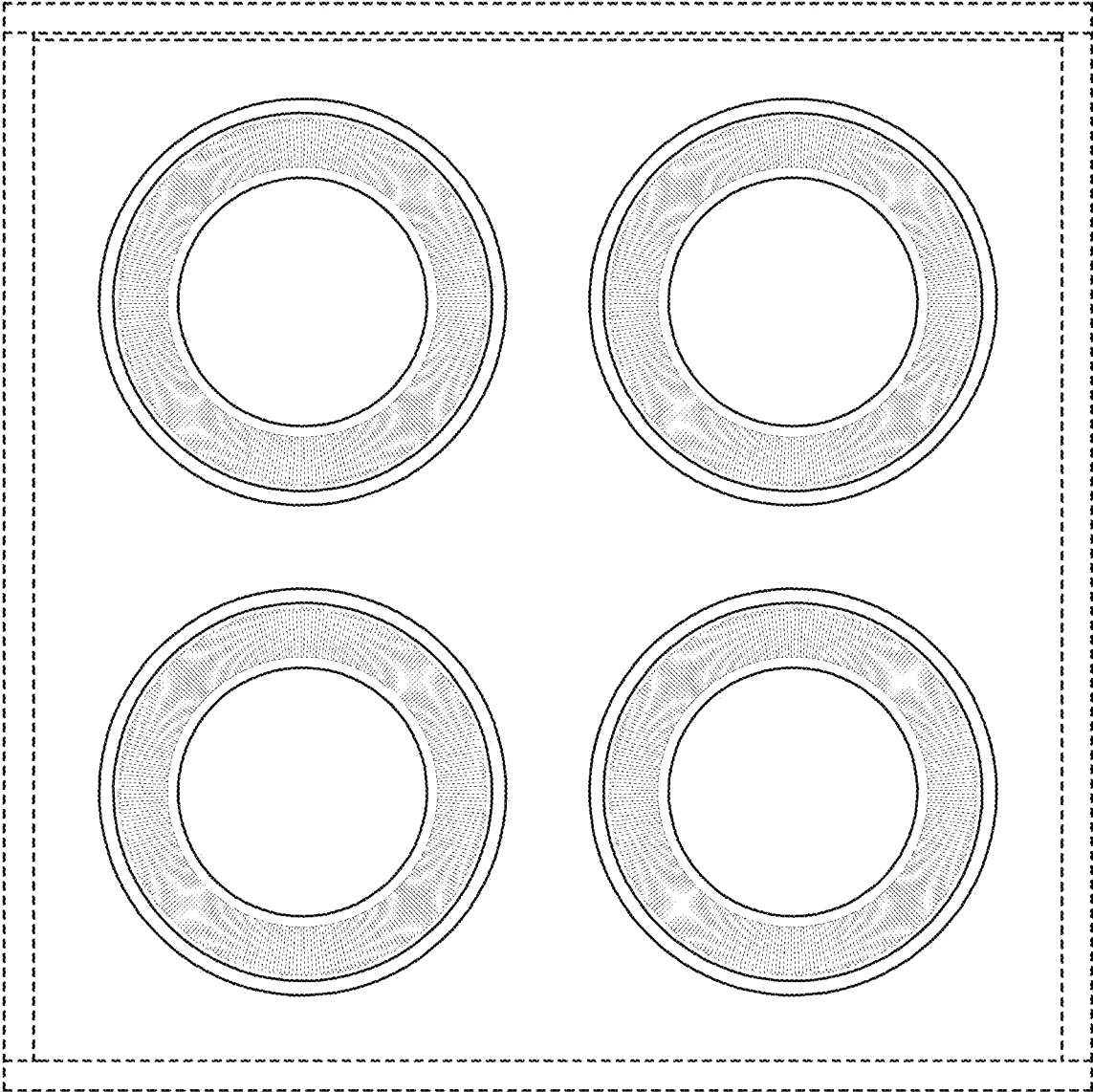


FIG. 3

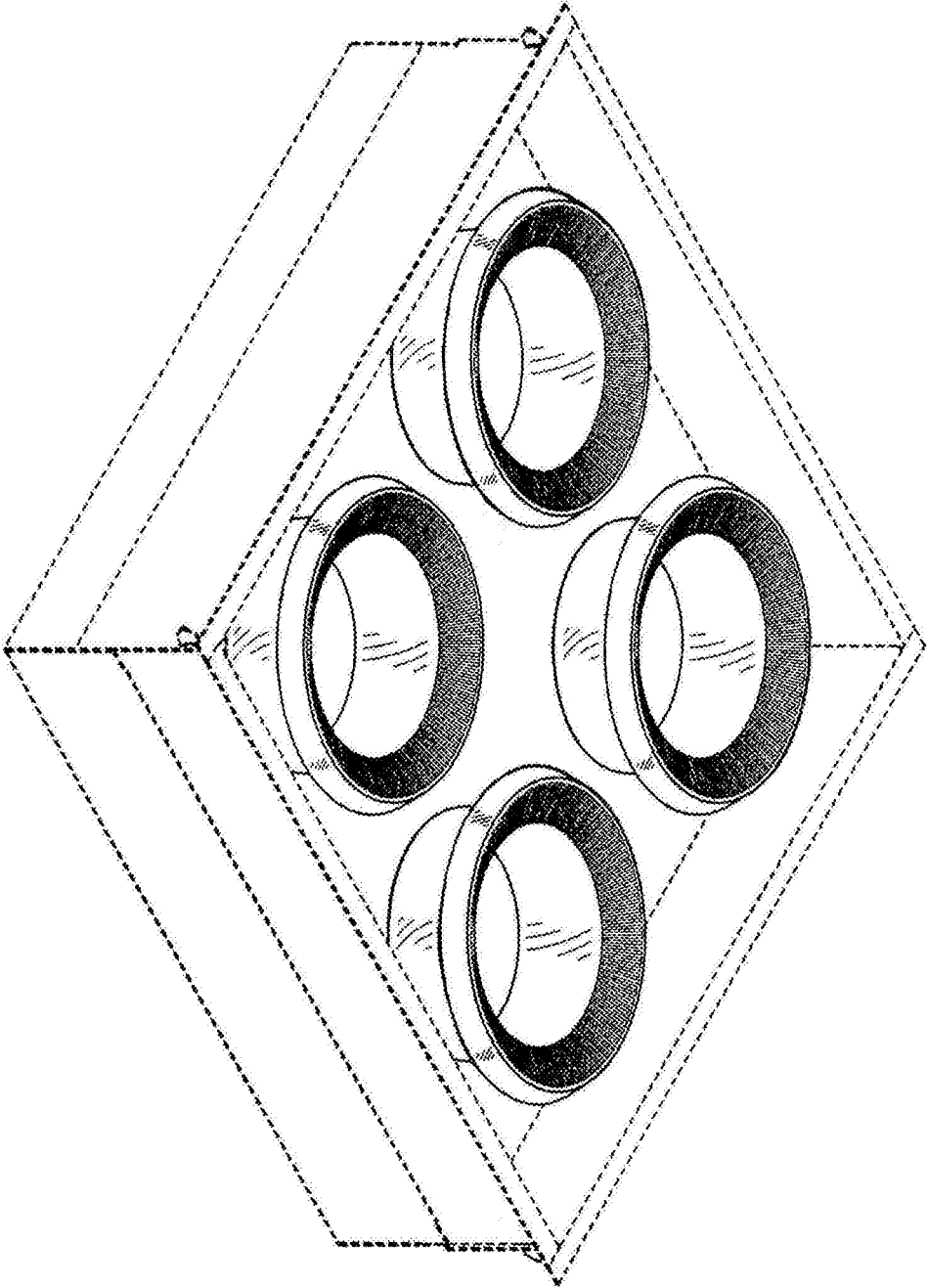


FIG. 4

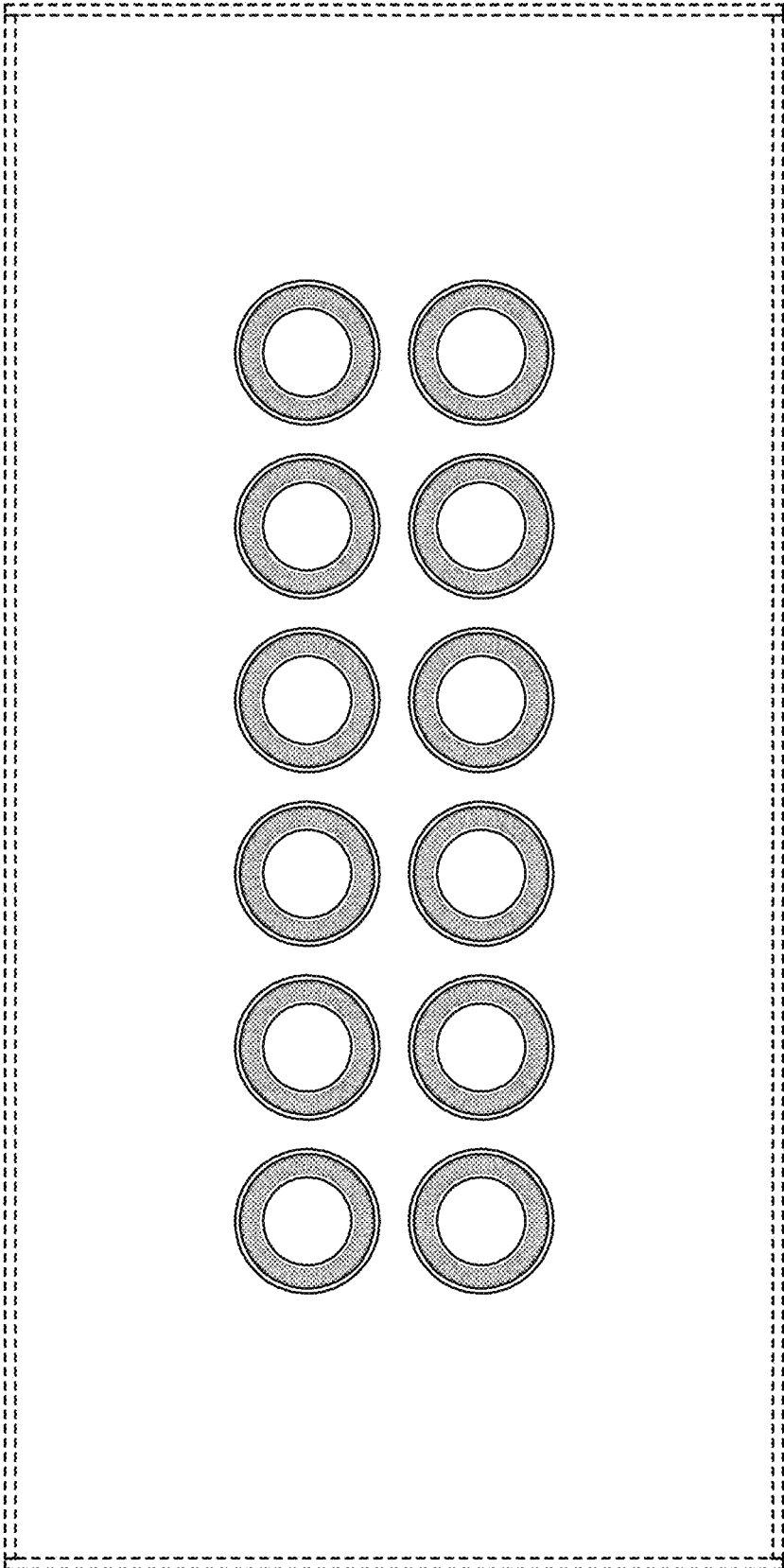


FIG. 5

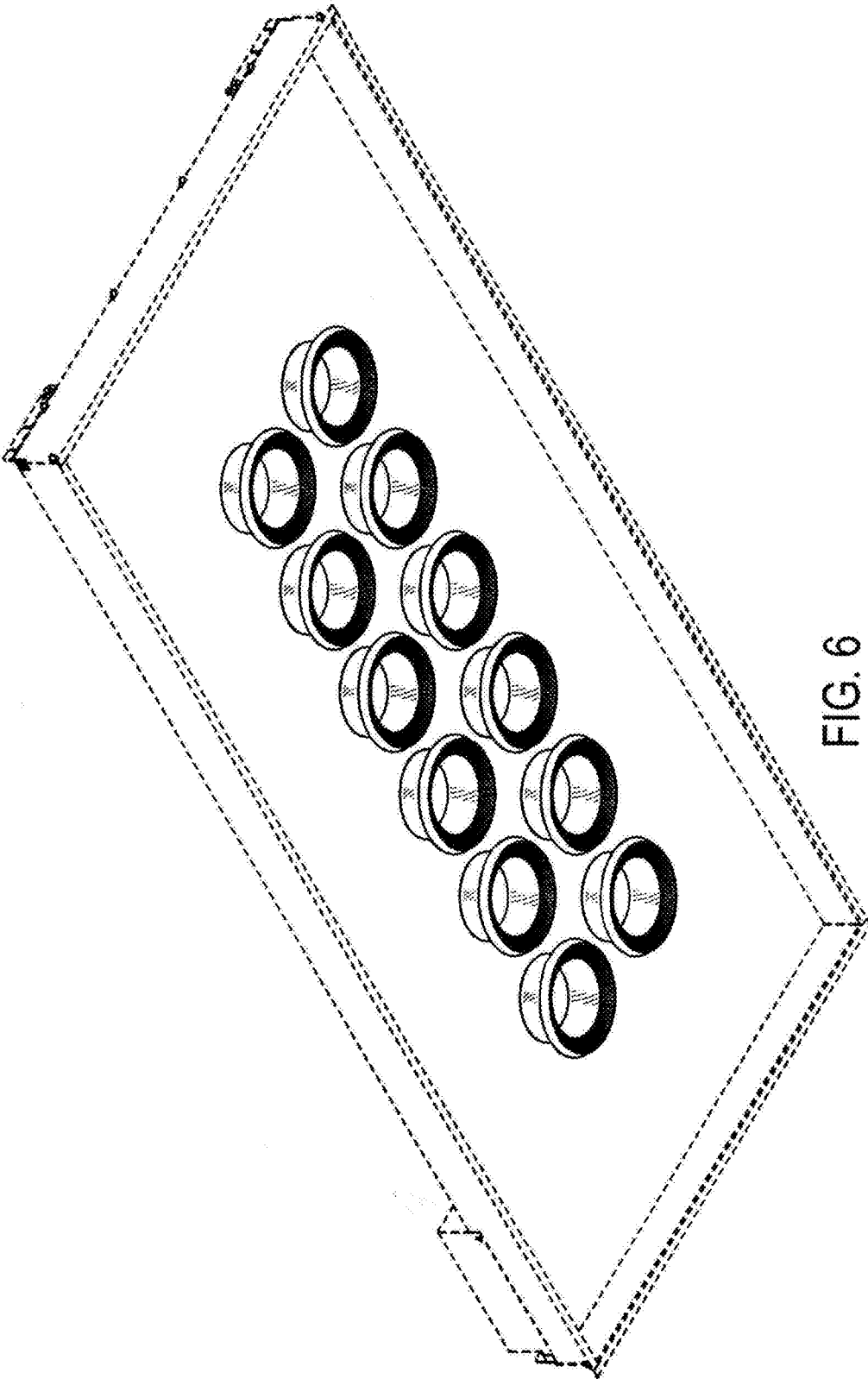


FIG. 6

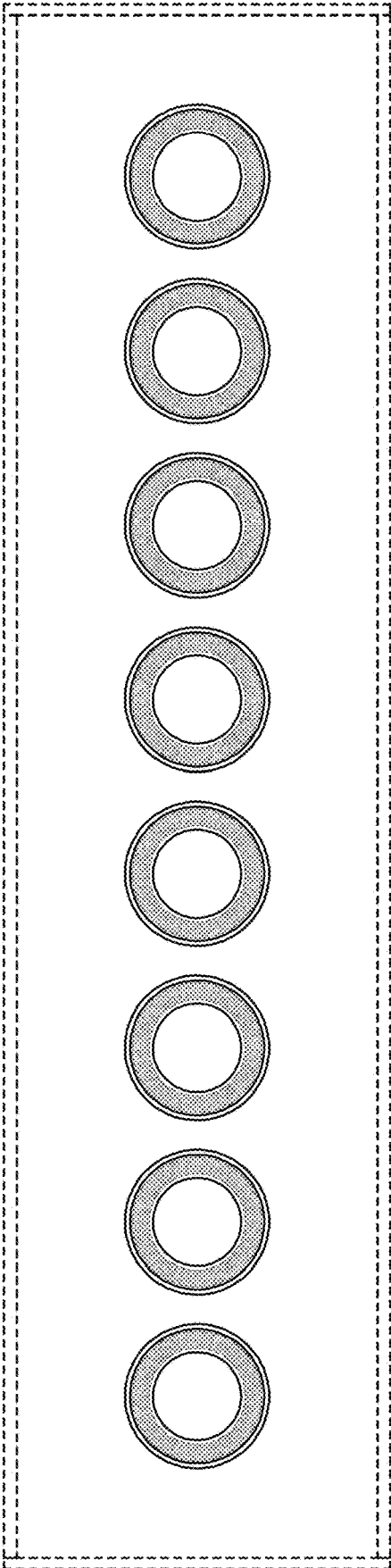


FIG. 7

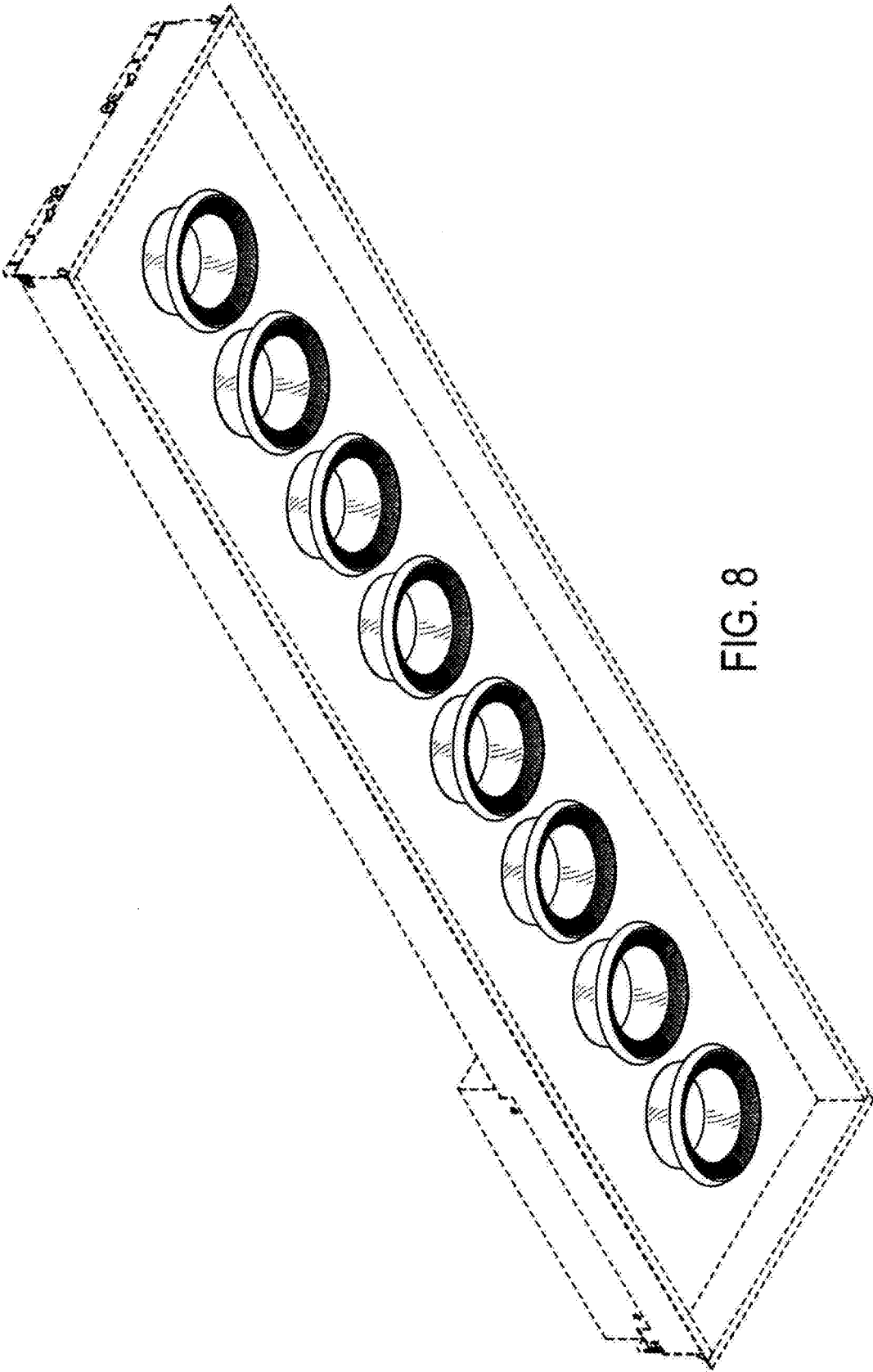


FIG. 8

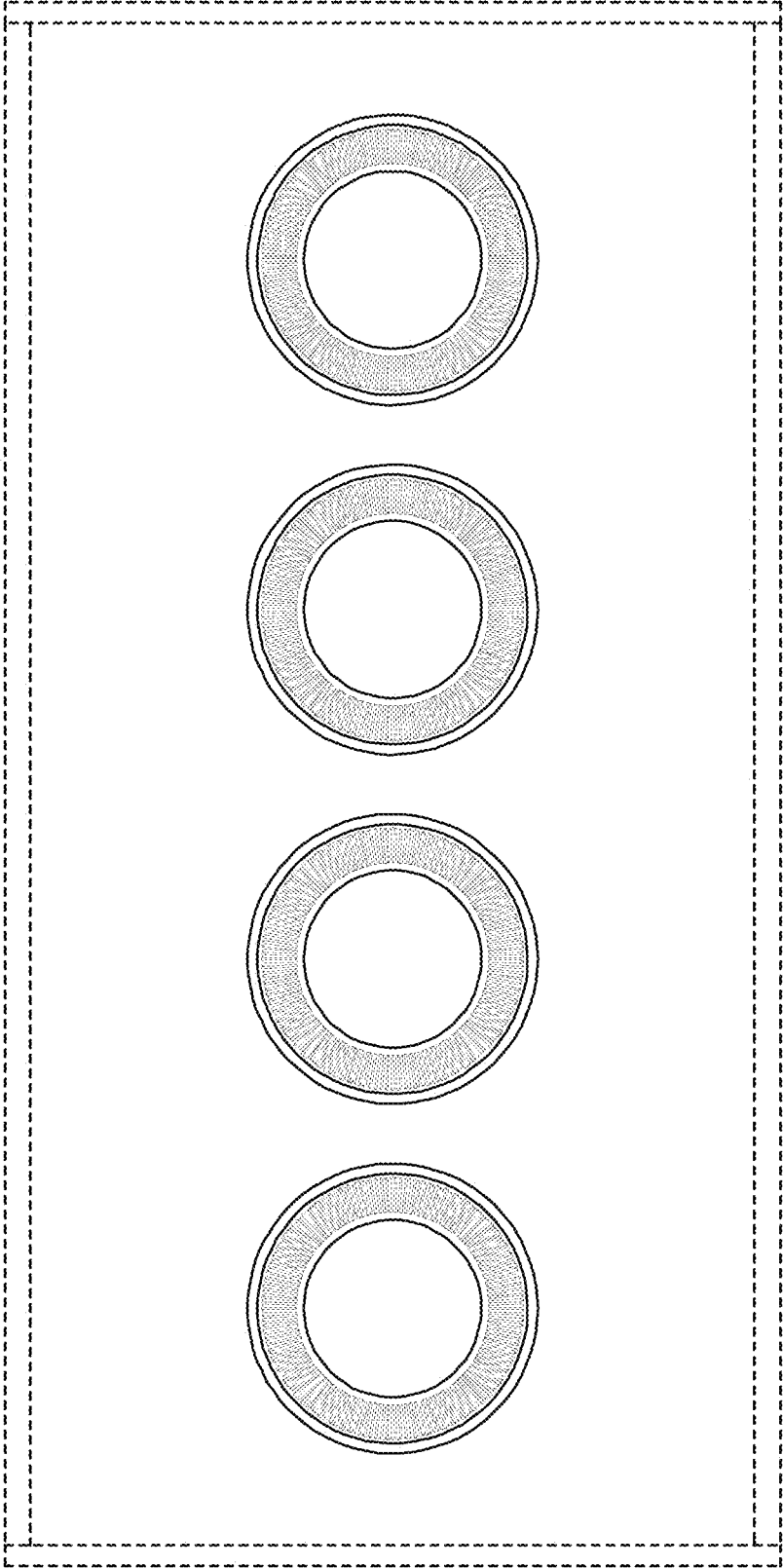


FIG. 9

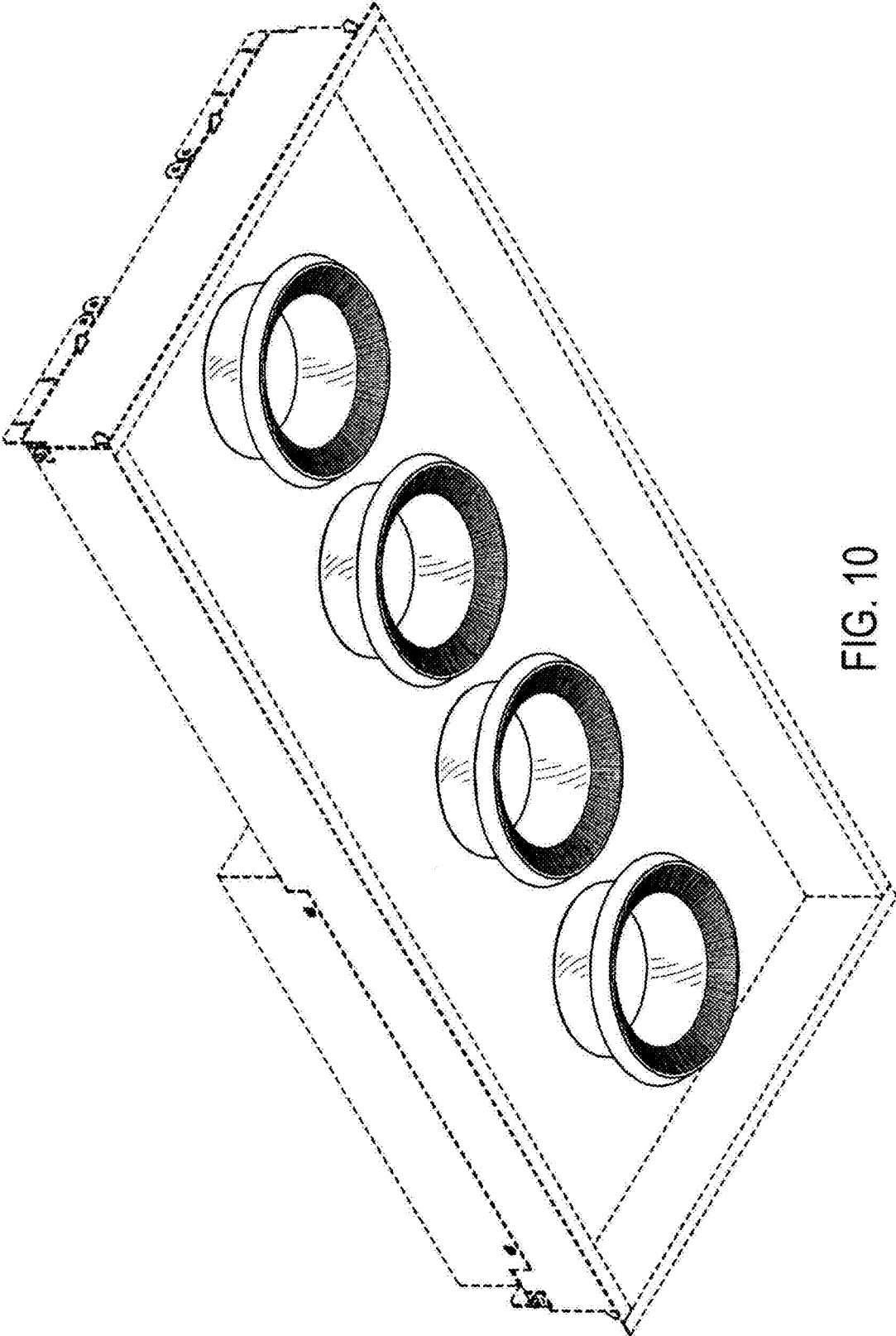


FIG. 10

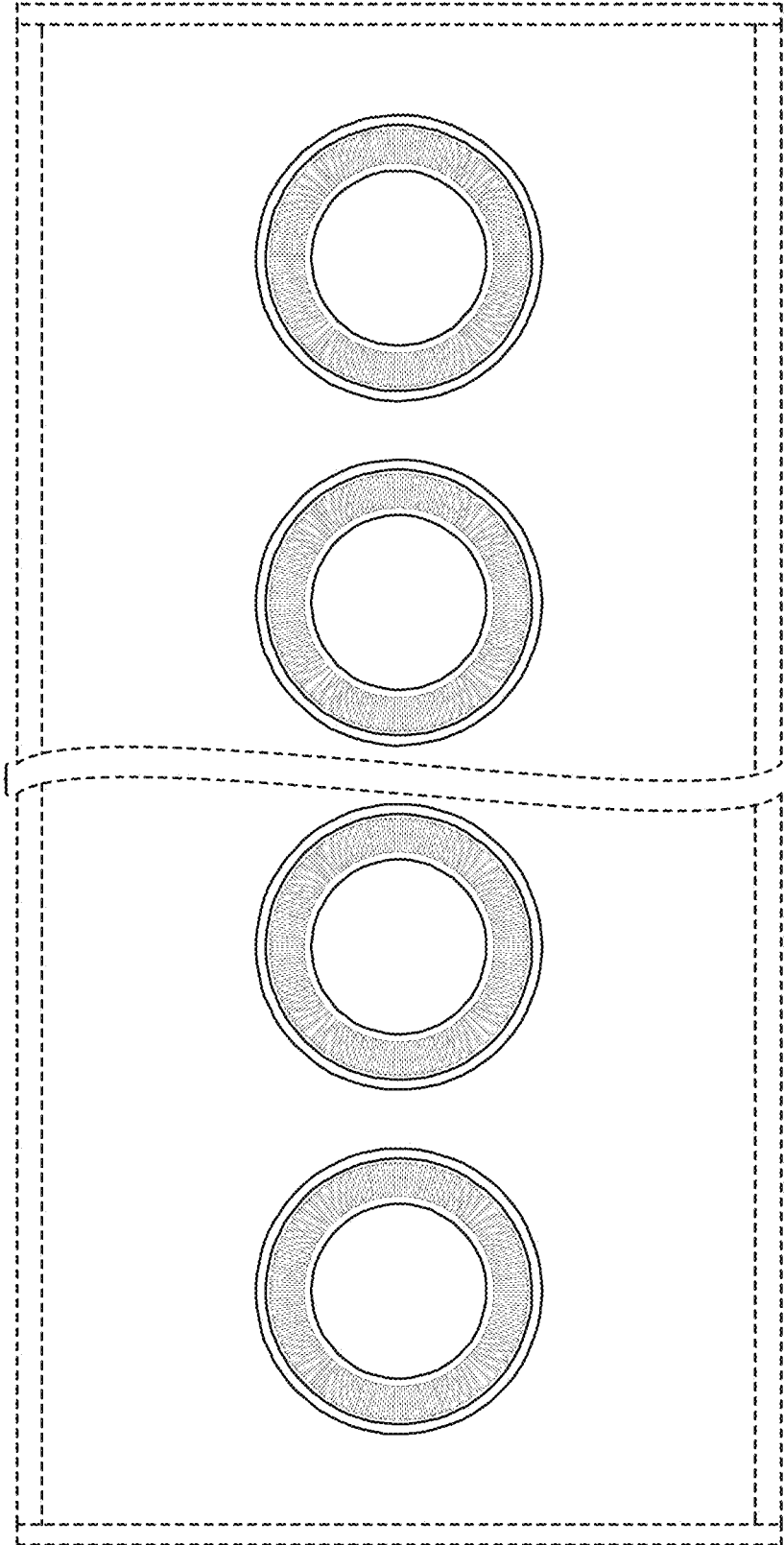


FIG. 11

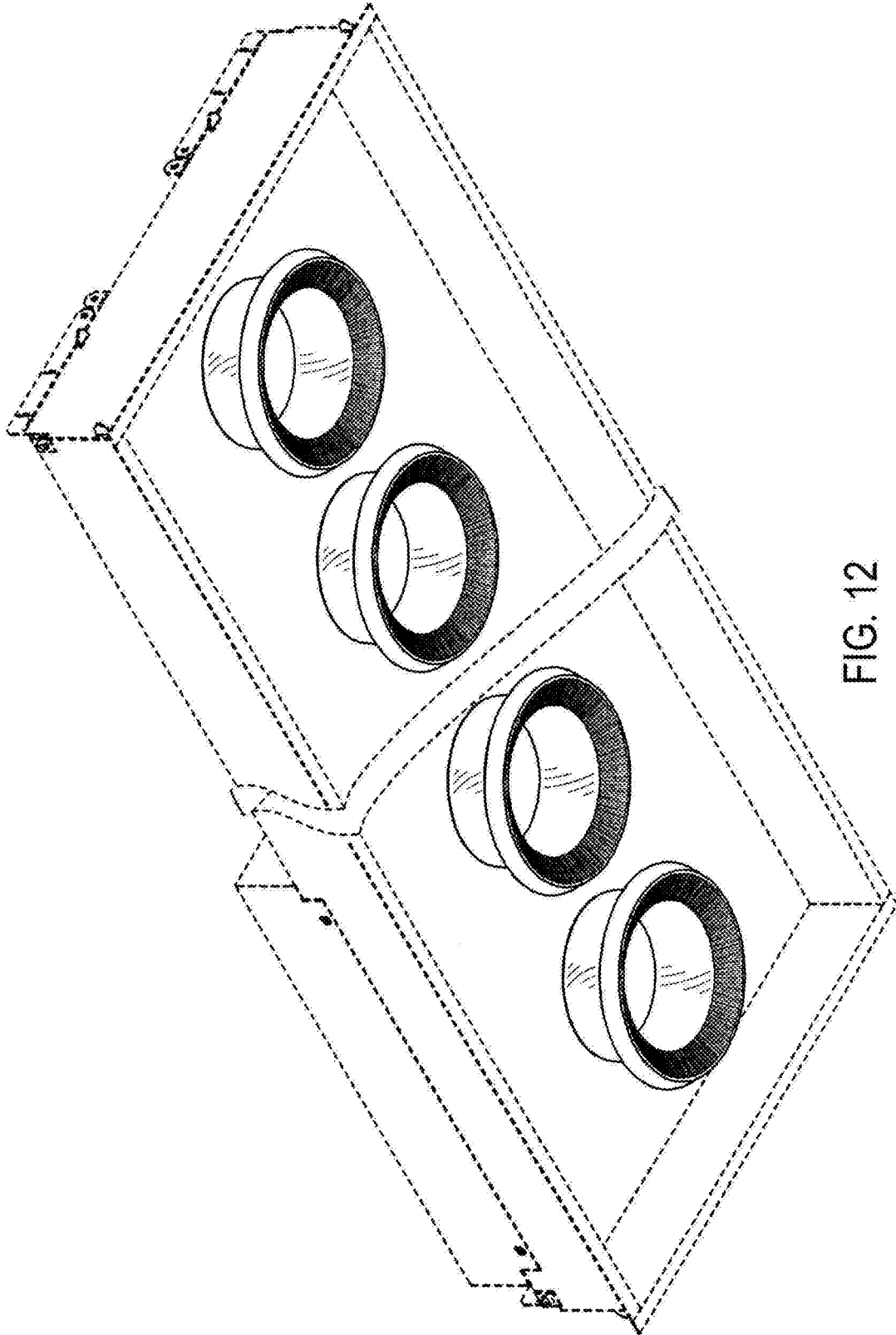


FIG. 12

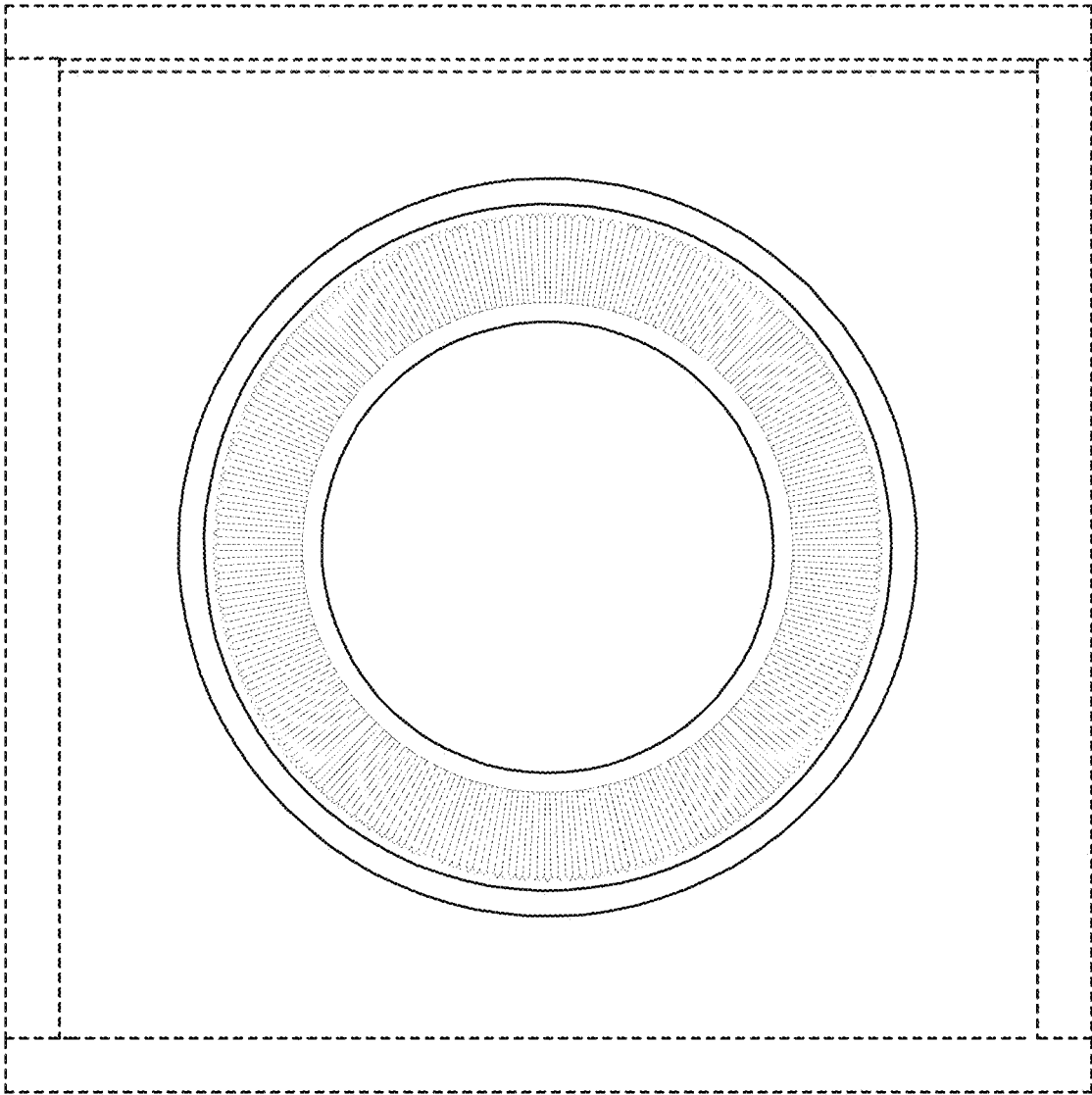


FIG. 13

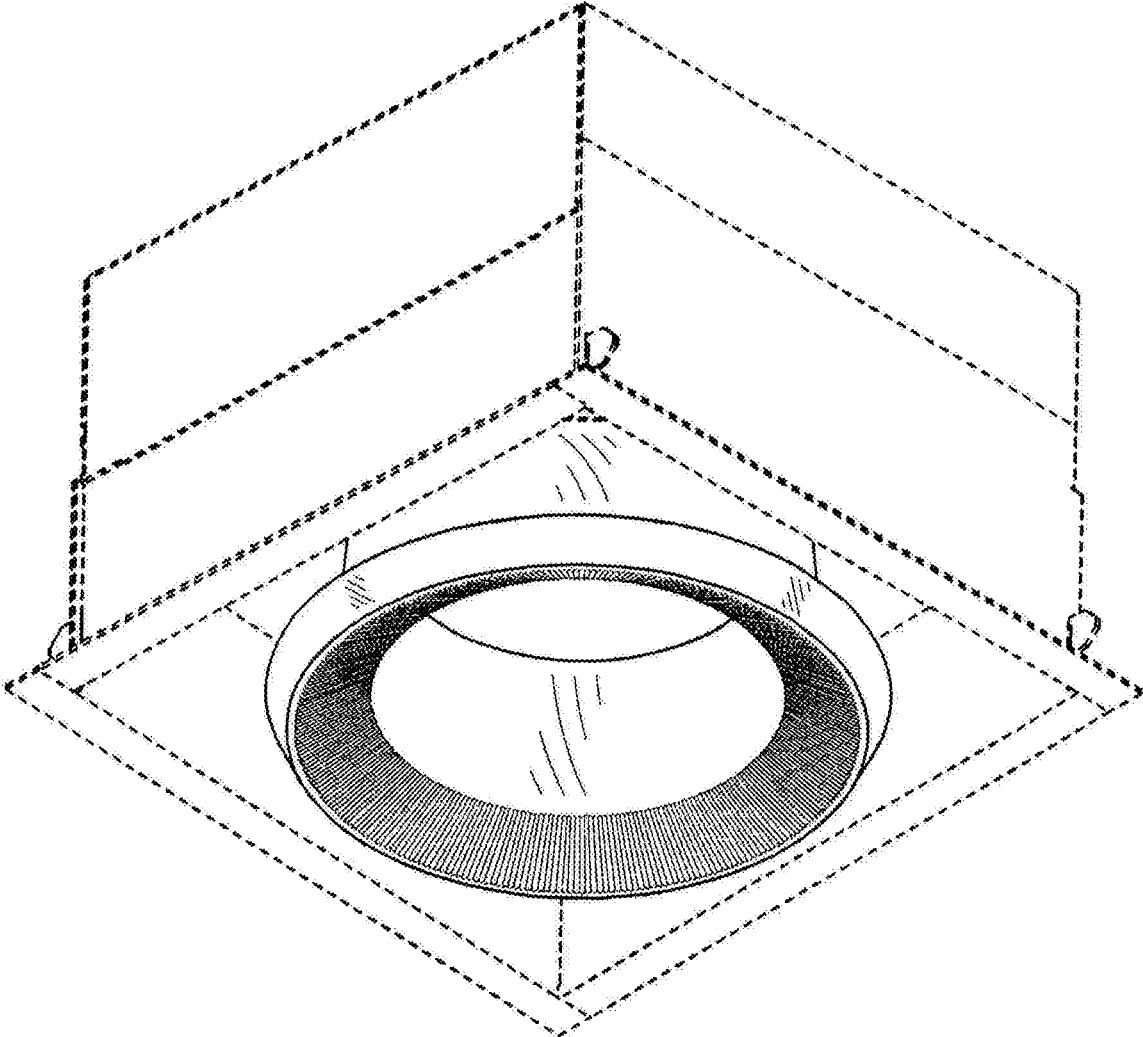


FIG. 14