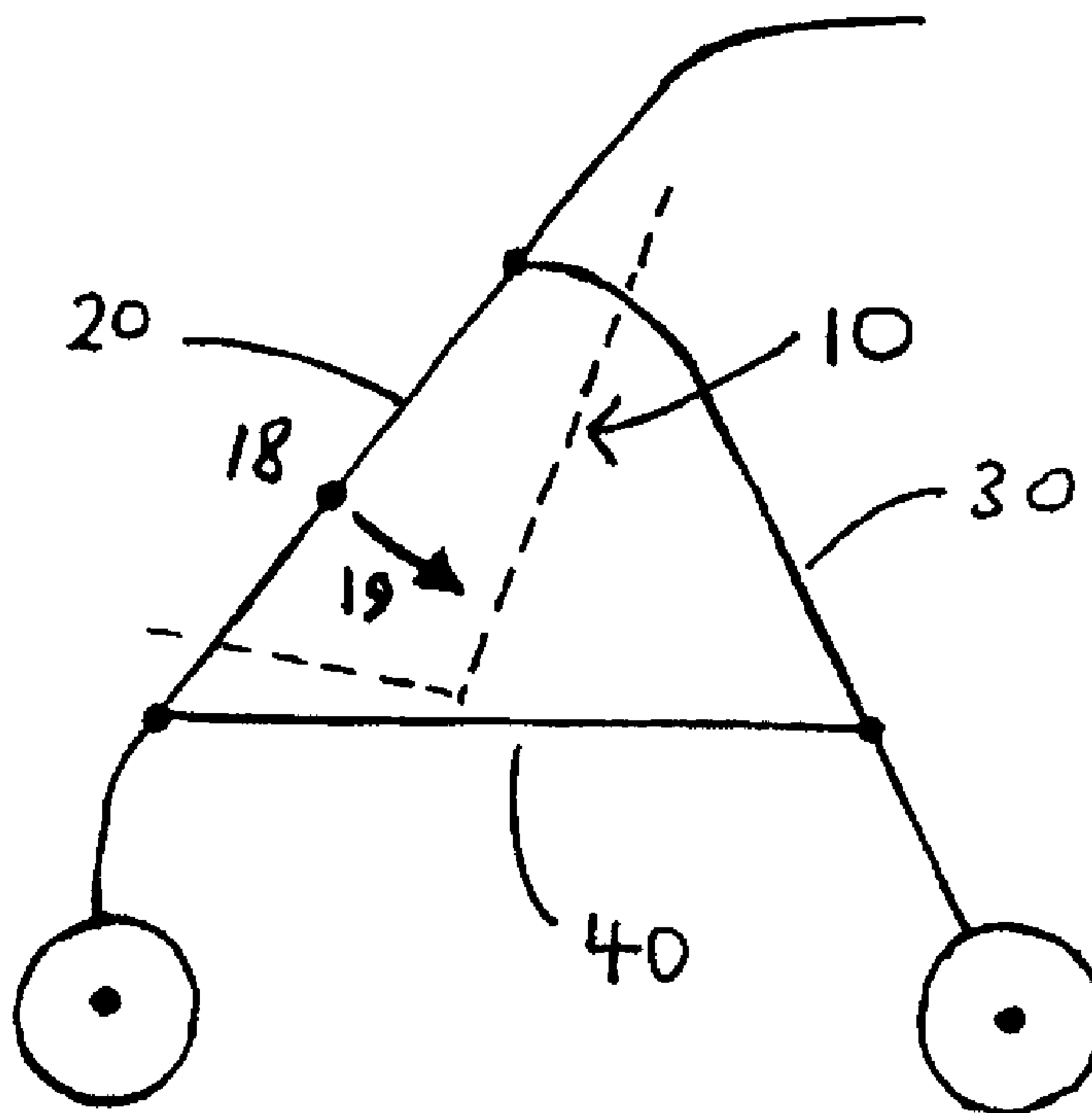




(22) Date de dépôt/Filing Date: 2004/11/03  
(41) Mise à la disp. pub./Open to Public Insp.: 2005/05/21  
(30) Priorité/Priority: 2003/11/21 (0327160.8) GB

(51) Cl.Int.<sup>7</sup>/Int.Cl.<sup>7</sup> B62B 9/00, A47C 7/02, F16B 12/00  
(71) Demandeur/Applicant:  
ARMON LIMITED, CH  
(72) Inventeurs/Inventors:  
CHURCH, GRAHAM, GB;  
PETERS, MICHAEL, GB  
(74) Agent: GOWLING LAFLEUR HENDERSON LLP

(54) Titre : FIXATION DE SIEGE DE POUSETTE  
(54) Title: PUSH CHAIR SEAT ATTACHMENT



(57) Abrégé/Abstract:

A seat attaching means for connecting a non-rigid push chair seat to a push chair frame said attaching means including an elongate member, attachable to at least one of the side edges of the seat, and the seat attaching means including a corresponding groove in the frame, into which the elongate member is inserted. The elongate member includes a planar part and an enlarged part, the planar part being attachable along at least one of the side edges of the seat and the enlarged part being insertable in the corresponding groove in the frame. The elongate member is insertable in a first corresponding groove in the frame and in a second corresponding groove in the frame, the first and second corresponding grooves being separated by a hinge. The first and second grooves are co-linear.

### Abstract

A seat attaching means for connecting a non-rigid push chair seat to a push chair  
5 frame said attaching means including an elongate member, attachable to at least one  
of the side edges of the seat, and the seat attaching means including a corresponding  
groove in the frame, into which the elongate member is inserted. The elongate  
member includes a planar part and an enlarged part, the planar part being attachable  
10 along at least one of the side edges of the seat and the enlarged part being insertable in  
the corresponding groove in the frame. The elongate member is insertable in a first  
corresponding groove in the frame and in a second corresponding groove in the frame,  
the first and second corresponding grooves being separated by a hinge. The first and  
second grooves are co-linear.

15

Representative Drawing: **Figure 3**

## Push Chair Seat Attachment

The present invention relates to push chairs for children, and in particular means for attaching the seat to the push chair frame.

5

The conventional construction of a push chair consists of two A frames linked by cross struts, the frames having a seat located between them. The seat fabric is usually attached to the forward bars of the side frames, by wrapping each side edge of the seat fabric around the outside of the forward bar of the seat frame and pinning the wrapped fabric to the forward bar or onto the main part of the seat fabric.

10

The invention has as its object to improve the attachment of a push chair seat to a push chair frame.

According to the invention, there is provided a seat attaching means for connecting a non-rigid push chair seat to a push chair frame said attaching means including an elongate member, attachable to at least one of the side edges of the seat, and the seat attaching means including a corresponding groove in the frame, into which the elongate member is inserted.

20

According to another aspect of the invention, there is provided a fibrous tension member for connecting a non-rigid push chair seat to a push chair frame, the fibrous tension member being attachable to at least one of the side edges of the seat and insertable in a corresponding groove in the frame.

25

According to another aspect of the invention, there is provided a push chair comprising a non-rigid seat, a frame, and seat attaching means for connecting the seat to the frame, the seat attaching means including an elongate member attachable to at

least one of the side edges of the seat, and the seat attaching means including a corresponding groove in the frame, into which the elongate member is inserted.

According to another aspect of the invention, there is provided a method of  
5 attaching a non-rigid push chair seat to a push chair frame, the method comprising the steps of attaching an elongate member to at least one of the side edges of the seat and inserting the elongate member in a corresponding groove in the frame.

A seat attaching means embodying the invention will now be described, by  
10 way of example, with reference to the drawings, in which:

Figure 1 is a diagrammatic side view of the main structural components of a push chair;

Figure 2 is a front view of the push chair seat with an intermediate connection  
15 member attached;

Figure 3 is a cross-sectional view of the seat, frame, and the intermediate connection, perpendicular to the axis of the forward bar;

Figure 4 is a plan view of the seat, frame, and the intermediate connection, perpendicular to the axis of the forward bar;

20 Figure 5 is a perspective view of the hinge of one of the forward bars of the frame, the hinge being in the unfolded state;

Figure 6 is a perspective view of part of the hinge;

Figure 7 is a perspective view of the hinge of figure 5, with the seat attached to the forward bar.

25

Referring to figure 1, the A frame of one side of a basic umbrella push chair consists of a forward sloping bar 20, a rear sloping bar 30, and a bottom bar 40. The front of the side of the seat is attached, to the forward sloping bar 20 of each A frame (attachment not shown in figure 1). The forward sloping bar 20 has a hinge 18,

located roughly midway along the bar. In figure 1, the hinge 18 is unfolded (the unfolded state). The hinge can be folded to allow the forward bar 20 to fold inward, as indicated by arrow 19, to collapse the frame and allow the push chair to be folded for storage (the folded state).

5

Referring to figure 2, showing an embodiment of a fabric push chair seat 10, the seat being attached to an intermediate connection member 11, which is used to attach the seat to the push chair frame. The intermediate connection member 11 has a planar part 12 and a cylindrical part 13, disposed along one of the long edges of the planar part 12. The planar part 12 is stitched or glued onto the seat fabric 10. Similarly, a corresponding intermediate connection member 11 is attached to the other side of the seat.

The seat is made of fabric, and may comprise separate portions, sewn together to form a seat shape. For example, a typical seat 10 will have a back portion 52 and side portions 53 extending forwards from the back portion 52. The seat may include a stiff or rigid material within the fabric, to help retain the seat shape.

Referring to figure 3, one side edge of the seat is shown, attached to the forward bar 20 of the seat frame, using the intermediate connection member 11. The intermediate connection member 11 consists of a cord 13, wrapped in a cover 12. The cover 12 is an elongate rectangular piece of flexible PVC or strong fabric. The cover 12 is extruded around the cord so that the cord is disposed in the cover, with its axis parallel with the long axis of the cover. Alternatively the cover is wrapped around the cord and glued to the cord. The overlapping edges of the cover 12 are glued to each other. The intermediate connection member 11 therefore comprises a long cylindrical portion (the cord 13), with an extending planar portion 12. The cord 13 is a flexible, fibrous cord or rope. A flexible rod of plastic could of course be used in place of the

cord. The rod preferably has a uniform cross-section, and is preferably cylindrical, but it may of course have a non-circular cross-sectional shape.

The planar part of the cover 12 is attached to the fabric of the seat 10 by a seam 21, the seam 21 being parallel with the long axis of the cord 13. The edge of the seat fabric 10 is stitched onto the planar part of the cover 12 such that the edge of the seat and the edge of the cover are overlapping, with the edge of the seat fabric 10 adjacent to the cord part 13 of the connection member 11. Figure 3 shows the left side of the push chair seat, when viewed from the front. The seat fabric 10, once stitched onto the cover 12, can be folded back on itself. In this way, the seam 21 will not be seen when looking at the seat from the forward view. Figure 4 shows a plan view of the rear of the seat attached to the forward bar 20.

The forward bar 20 of each side frame of the push chair is an extruded tube. The hollow forward bar is cylindrical, with a groove 23 along one side of the bar, such that the bar 20 has a lune-shaped cross-section. The groove 23 has a circular cross-section. The groove 23 cross-section is just larger than the cross-section of the cord part 13 of the intermediate connection member 11. The width W of the opening of the groove is narrower than the cord's cross-sectional diameter. The cord part 13 of the intermediate connection member 11 can therefore be inserted in the end of the forward bar, and is retained by the opening.

To attach the seat 10 and intermediate connection member 11 to the push chair frame, one end of the cord part 13 of the intermediate connection member 11 can be inserted into the groove 23, at the end of the bar 20. The cord part 13 of the intermediate connection member 11 can then be fed along the groove 23.

Referring to figure 5, the forward bar 20 has an upper groove 41 and a lower groove 42, with the hinge 18 between. There is an upper recess 43 and a lower recess

44 at the upper and lower end of the hinge respectively. The upper recess 43 is adjacent to the upper groove 41 of the forward bar, and the lower recess 44 is adjacent to the lower groove 42.

5 Referring to figure 6, the recess 43 has a top opening 45, a front opening 46, perpendicular to the top opening, and an arcuate base 47. The recess 43 is joined to the groove 41 via the front opening 46. The end of the top opening 45 which is farthest from the front opening is semi-circular or oval shaped. The end of the cord part 13 of the connection member 11 can be inserted into the recess 43, through the  
10 semi-circular end-part of the recess 43. The base 47 of the recess 43 is convexly curved, such that once the cord part 13 has been inserted, it is guided through the front opening 46, into the groove 41. The cord part 13 can then be fed along the groove 41 until the whole of the cord 13 is within the groove 41. The recesses therefore act as a lead-in, allowing the cord part 13 of the connection member to be inserted into the  
15 groove 41.

The intermediate cord part 13 of the connection member of one side of the seat  
10 can be inserted in the lower groove 42, via the lower end of the forward bar 20. The end of the cord 13 can be fed along the groove 42, and out of the groove via the  
20 recess 44. The end of the cord 13 can then be fed into the groove 41, via the recess 43. Referring to figure 7, the lower part of the cord 13 is therefore disposed in groove 42, and the upper part is disposed in groove 41, the middle portion sits adjacent to the hinge. In this way, a single intermediate connection member 11, having a single continuous cord part 13, can be used to attach the side of the push chair to the forward  
25 bar 20.

The cord 13 is flexible, therefore it can easily be inserted in the grooves 41, 42 of the forward bar 20. The flexibility of the cord allows for the forward bar to be folded at the hinge 18. The cord 13 has a high tensile strength and therefore the seat

can withstand greater loads without risk of becoming detached from the frame. The diameter of the cord part 13 of the intermediate connection member and the corresponding grooves in the forward bars are such that the cord fits firmly in the grooves, and there is friction control during fitting of the connection member in the  
5 groove.

The seat connection means described could of course be used to attach a fabric seat to any type of push chair frame, not just an umbrella fold push chair frame. Grooves can be included in the side frames of any type of push chair chassis, for  
10 insertion of the intermediate connection means, to attach the seat to the frame.

## Claims

1. A seat attaching means for connecting a non-rigid push chair seat to a push  
5 chair frame said attaching means including an elongate member, attachable to at least  
one of the side edges of the seat, and the seat attaching means including a  
corresponding groove in the frame, into which the elongate member is inserted.
2. A seat attaching means according to claim 1 characterised in that the elongate  
10 member includes a planar part and an enlarged part, the planar part being attachable  
along at least one of the side edges of the seat and the enlarged part being insertable in  
the corresponding groove in the frame.
3. A seat attaching means according to any preceding claim wherein the elongate  
15 member is insertable in a first corresponding groove in the frame and in a second  
corresponding groove in the frame, the first and second corresponding grooves being  
separated by a hinge.
4. A seat attaching means according to claim 3 wherein the first and second  
20 grooves are co-linear.
5. A seat attaching means according to any preceding claim wherein the elongate  
member is rod-shaped.
- 25 6. A seat attaching means according to any preceding claim wherein the elongate  
member is a fibrous tension member.
7. A seat attaching means according to any preceding claim wherein the elongate  
member is extruded plastic.

8. A seat attaching means according to any preceding claim wherein the groove has an opening, the width of the opening being narrower than the cross-sectional diameter of the elongate member such that the elongate member is retained in the groove.

9. A fibrous tension member for connecting a non-rigid push chair seat to a push chair frame, the fibrous tension member being attachable to at least one of the side edges of the seat and insertable in a corresponding groove in the frame.

10. A push chair comprising a non-rigid seat, a frame, and seat attaching means for connecting the seat to the frame, the seat attaching means including an elongate member attachable to at least one of the side edges of the seat, and the seat attaching means including a corresponding groove in the frame, into which the elongate member is inserted.

11. A method of attaching a non-rigid push chair seat to a push chair frame, the method comprising the steps of attaching an elongate member to at least one of the side edges of the seat and inserting the elongate member in a corresponding groove in the frame.

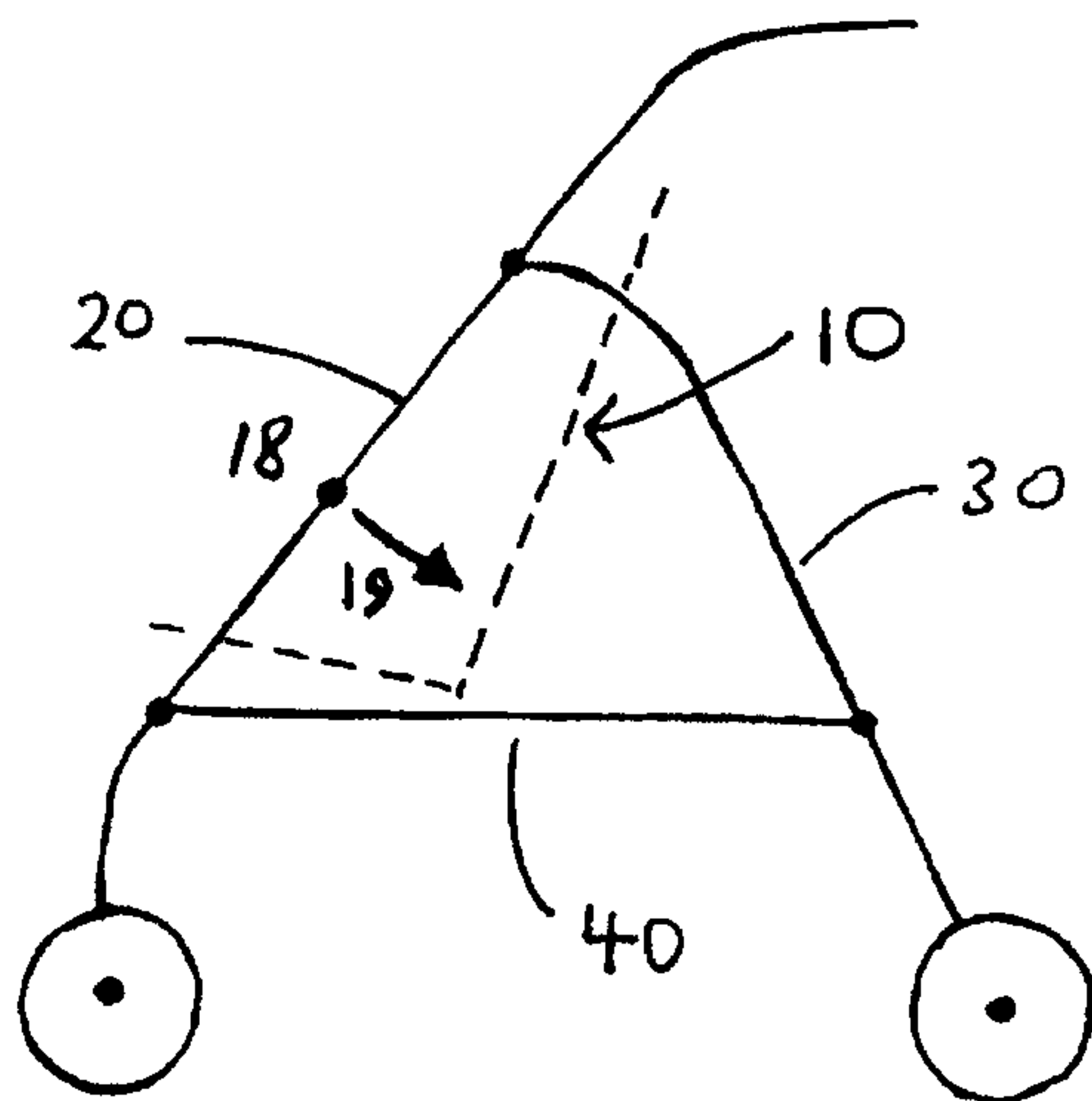


Fig. 1

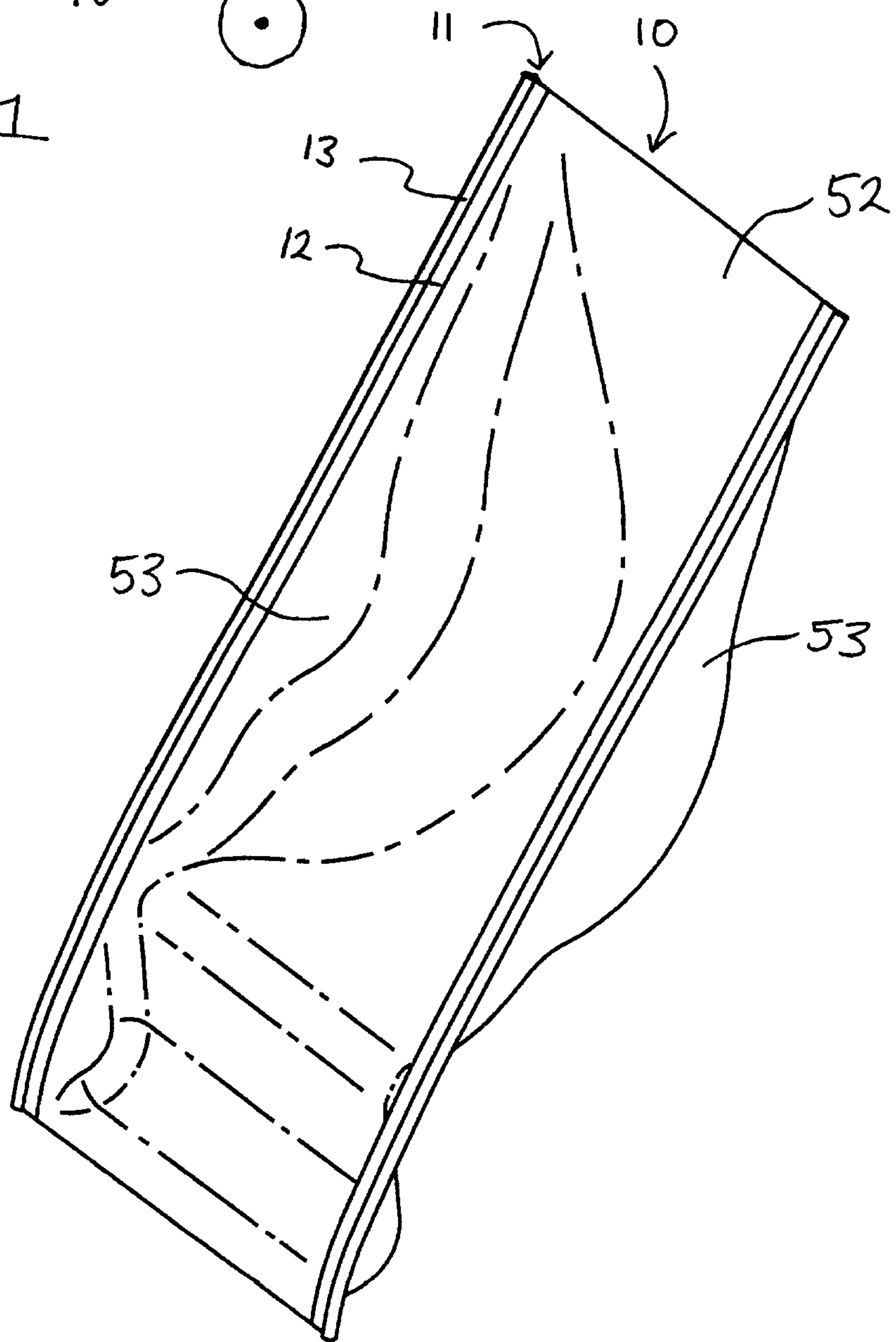


Fig. 2

