

(19) World Intellectual Property Organization  
International Bureau



(43) International Publication Date  
22 June 2006 (22.06.2006)

PCT

(10) International Publication Number  
**WO 2006/065805 A3**

(51) International Patent Classification:  
A42B 3/04 (2006.01)

(21) International Application Number:

PCT/US2005/045046

(22) International Filing Date:

14 December 2005 (14.12.2005)

(25) Filing Language:

English

(26) Publication Language:

English

(30) Priority Data:

60/637,097 17 December 2004 (17.12.2004) US  
60/646,110 21 January 2005 (21.01.2005) US

(71) Applicant (for all designated States except US): **INSIGHT TECHNOLOGY, INC.** [US/US]; 9 Akira Way, Londonderry, New Hampshire 03053 (US).

(72) Inventors; and

(75) Inventors/Applicants (for US only): **SOLINSKY,, Kenneth S.** [US/US]; 40 Wellesley Road, Bedford, New Hampshire 03110 (US). **RUSSELL,, Andrew** [US/US]; 14 Mosswood Circle, Amherst, New Hampshire 03031 (US).

(74) Agents: **PERREAULT, Donald J.** et al.; Grossman, Tucker, Perreault & Pflieger, PLLC, 55 South Commercial Street, Manchester, New Hampshire 03101 (US).

(81) Designated States (unless otherwise indicated, for every kind of national protection available): AE, AG, AL, AM, AT, AU, AZ, BA, BB, BG, BR, BW, BY, BZ, CA, CH, CN, CO, CR, CU, CZ, DE, DK, DM, DZ, EC, EE, EG, ES, FI, GB, GD, GE, GH, GM, HR, HU, ID, IL, IN, IS, JP, KE, KG, KM, KN, KP, KR, KZ, LC, LK, LR, LS, LT, LU, LV, LY, MA, MD, MG, MK, MN, MW, MX, MZ, NA, NG, NI, NO, NZ, OM, PG, PH, PL, PT, RO, RU, SC, SD, SE, SG, SK, SL, SM, SY, TJ, TM, TN, TR, TT, TZ, UA, UG, US, UZ, VC, VN, YU, ZA, ZM, ZW.

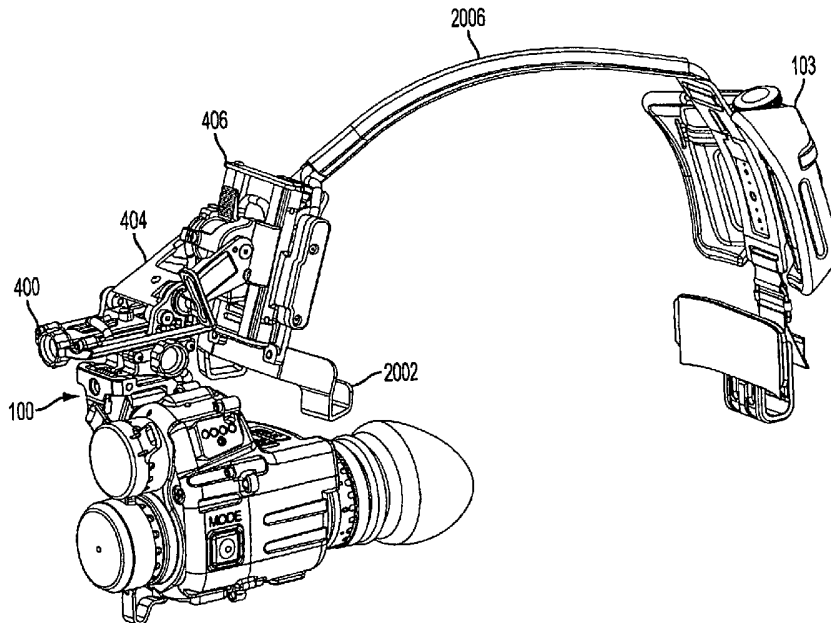
(84) Designated States (unless otherwise indicated, for every kind of regional protection available): ARIPO (BW, GH, GM, KE, LS, MW, MZ, NA, SD, SL, SZ, TZ, UG, ZM, ZW), Eurasian (AM, AZ, BY, KG, KZ, MD, RU, TJ, TM), European (AT, BE, BG, CH, CY, CZ, DE, DK, EE, ES, FI, FR, GB, GR, HU, IE, IS, IT, LT, LU, LV, MC, NL, PL, PT, RO, SE, SI, SK, TR), OAPI (BF, BJ, CF, CG, CI, CM, GA, GN, GQ, GW, ML, MR, NE, SN, TD, TG).

Published:

— with international search report

[Continued on next page]

(54) Title: APPARATUS FOR MOUNTING A VISION SYSTEM



(57) Abstract: A vision system for mounting an imaging assembly (104) to a helmet (101) through a helmet adapter and a mounting assembly (102). The mounting assembly comprising a first and second elongated member (2006) establishing a cable channel therebetween.

WO 2006/065805 A3



— *before the expiration of the time limit for amending the claims and to be republished in the event of receipt of amendments*

*For two-letter codes and other abbreviations, refer to the "Guidance Notes on Codes and Abbreviations" appearing at the beginning of each regular issue of the PCT Gazette.*

**(88) Date of publication of the international search report:**  
8 September 2006

# INTERNATIONAL SEARCH REPORT

International application No

PCT/US2005/045046

**A. CLASSIFICATION OF SUBJECT MATTER**

INV. A42B3/04

According to International Patent Classification (IPC) or to both national classification and IPC

**B. FIELDS SEARCHED**

Minimum documentation searched (classification system followed by classification symbols)

A42B

Documentation searched other than minimum documentation to the extent that such documents are included in the fields searched

Electronic data base consulted during the international search (name of data base and, where practical, search terms used)

EPO-Internal

**C. DOCUMENTS CONSIDERED TO BE RELEVANT**

Category*	Citation of document, with indication, where appropriate, of the relevant passages	Relevant to claim No.
X	DE 31 45 106 A1 (BUNDESREPUBLIK DEUTSCHLAND, VERTRETEN DURCH DEN BUNDESMINISTER DER VERT) 26 May 1983 (1983-05-26) page 7, paragraph 7 - page 8, paragraph 2; figure 3	1,2, 9-11,14
Y	-----	3-8,12, 13,15-20
Y	WO 99/65049 A (LITTON SYSTEMS, INC) 16 December 1999 (1999-12-16) abstract; figures 1,2	3-8,12, 13,15-20
A	US 5 822 126 A (CURSOLLE ET AL) 13 October 1998 (1998-10-13) column 5, lines 8-32; figure 8	1-20
	----- -/--	

Further documents are listed in the continuation of Box C.

See patent family annex.

\* Special categories of cited documents :

- "A" document defining the general state of the art which is not considered to be of particular relevance
- "E" earlier document but published on or after the international filing date
- "L" document which may throw doubts on priority claim(s) or which is cited to establish the publication date of another citation or other special reason (as specified)
- "O" document referring to an oral disclosure, use, exhibition or other means
- "P" document published prior to the international filing date but later than the priority date claimed

- "T" later document published after the international filing date or priority date and not in conflict with the application but cited to understand the principle or theory underlying the invention
- "X" document of particular relevance; the claimed invention cannot be considered novel or cannot be considered to involve an inventive step when the document is taken alone
- "Y" document of particular relevance; the claimed invention cannot be considered to involve an inventive step when the document is combined with one or more other such documents, such combination being obvious to a person skilled in the art.
- "&" document member of the same patent family

Date of the actual completion of the international search

24 March 2006

Date of mailing of the international search report

27. 06. 2006

Name and mailing address of the ISA/

European Patent Office, P.B. 5818 Patentlaan 2  
NL - 2280 HV Rijswijk  
Tel. (+31-70) 340-2040, Tx. 31 651 epo nl.  
Fax: (+31-70) 340-3016

Authorized officer

Hannam, M

# INTERNATIONAL SEARCH REPORT

International application No

PCT/US2005/045046

C(Continuation). DOCUMENTS CONSIDERED TO BE RELEVANT		
Category*	Citation of document, with indication, where appropriate, of the relevant passages	Relevant to claim No.
A	US 4 953 963 A (MILLER ET AL) 4 September 1990 (1990-09-04) column 2, lines 38-44; figure 1 -----	1-20
A	US 2003/117575 A1 (WATERS MICHAEL) 26 June 2003 (2003-06-26) paragraph [0057]; figures 3,19 -----	1-20

# INTERNATIONAL SEARCH REPORT

International application No.  
PCT/US2005/045046

## Box II Observations where certain claims were found unsearchable (Continuation of item 2 of first sheet)

This International Search Report has not been established in respect of certain claims under Article 17(2)(a) for the following reasons:

1.  Claims Nos.:  
because they relate to subject matter not required to be searched by this Authority, namely:
  
2.  Claims Nos.:  
because they relate to parts of the International Application that do not comply with the prescribed requirements to such an extent that no meaningful International Search can be carried out, specifically:
  
3.  Claims Nos.:  
because they are dependent claims and are not drafted in accordance with the second and third sentences of Rule 6.4(a).

## Box III Observations where unity of invention is lacking (Continuation of item 3 of first sheet)

This International Searching Authority found multiple inventions in this international application, as follows:

see additional sheet

1.  As all required additional search fees were timely paid by the applicant, this International Search Report covers all searchable claims.
2.  As all searchable claims could be searched without effort justifying an additional fee, this Authority did not invite payment of any additional fee.
3.  As only some of the required additional search fees were timely paid by the applicant, this International Search Report covers only those claims for which fees were paid, specifically claims Nos.:
4.  No required additional search fees were timely paid by the applicant. Consequently, this International Search Report is restricted to the invention first mentioned in the claims; it is covered by claims Nos.:

1-20

Remark on Protest

- The additional search fees were accompanied by the applicant's protest.
- No protest accompanied the payment of additional search fees.

FURTHER INFORMATION CONTINUED FROM PCT/ISA/ 210

This International Searching Authority found multiple (groups of) inventions in this international application, as follows:

1. claims: 1-8, 9-13, 14-20

An attachment system for a mount to a helmet  
---

2. claims: 31-38,21-30,57-60

A receiver for mounting an imaging assembly  
---

3. claims: 39-49,21-30

A cross-slide assembly  
---

4. claims: 50-56,21-30

A stow pivot/slide assembly  
---

**INTERNATIONAL SEARCH REPORT**

International application No  
PCT/US2005/045046

Patent document cited in search report	Publication date	Patent family member(s)	Publication date
DE 3145106	A1	26-05-1983	NONE
-----			
WO 9965049	A	16-12-1999	NONE
-----			
US 5822126	A	13-10-1998	DE 69616967 D1 20-12-2001
			DE 69616967 T2 29-05-2002
			EP 0783843 A1 16-07-1997
			FR 2742636 A1 27-06-1997
			IL 119891 A 31-10-2000
			JP 9188911 A 22-07-1997
			RU 2196076 C2 10-01-2003
			ZA 9610848 A 26-06-1997
-----			
US 4953963	A	04-09-1990	NONE
-----			
US 2003117575	A1	26-06-2003	US 2003086053 A1 08-05-2003
			US 2003086054 A1 08-05-2003
			US 2003206269 A1 06-11-2003
			ZA 200403826 A 21-07-2005
-----			