

(19) World Intellectual Property Organization
International Bureau



(43) International Publication Date
27 February 2003 (27.02.2003)

PCT

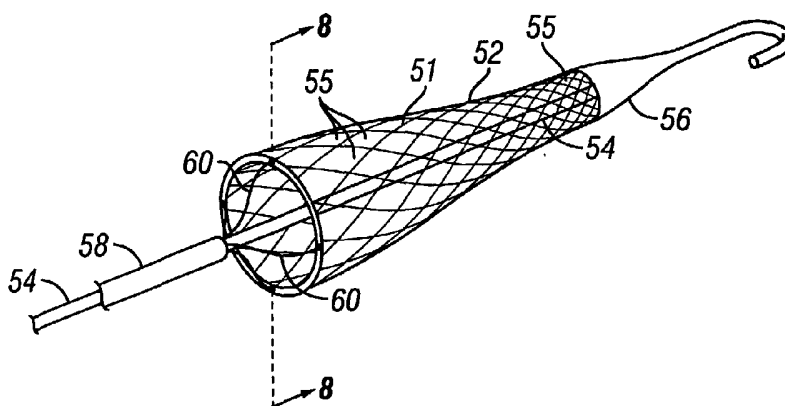
(10) International Publication Number
WO 03/015840 A3

- (51) International Patent Classification⁷: A61M 29/00
- (74) Agent: ROSENBAUM, David, G.; Rosenbaum & Associates, P.C., Suite #3600, 875 North Michigan Avenue, Chicago, IL 60611 (US).
- (21) International Application Number: PCT/US02/24578
- (22) International Filing Date: 1 August 2002 (01.08.2002)
- (81) Designated States (*national*): AE, AG, AL, AM, AT, AU, AZ, BA, BB, BG, BR, BY, BZ, CA, CH, CN, CO, CR, CU, CZ, DE, DK, DM, DZ, EC, EE, ES, FI, GB, GD, GE, GH, GM, HR, HU, ID, IL, IN, IS, JP, KE, KG, KP, KR, KZ, LC, LK, LR, LS, LT, LU, LV, MA, MD, MG, MK, MN, MW, MX, MZ, NO, NZ, OM, PH, PL, PT, RO, RU, SD, SE, SG, SI, SK, SL, TJ, TM, TN, TR, TT, TZ, UA, UG, US, UZ, VN, YU, ZA, ZM, ZW.
- (25) Filing Language: English
- (26) Publication Language: English
- (30) Priority Data:
60/313,294 17 August 2001 (17.08.2001) US
10/136,246 29 April 2002 (29.04.2002) US
- (71) Applicant (*for all designated States except US*): ADVANCED BIO PROSTHETIC SURFACES, LTD. [US/US]; 4778 Research Drive, San Antonio, TX 78240 (US).
- (84) Designated States (*regional*): ARIPO patent (GH, GM, KE, LS, MW, MZ, SD, SL, SZ, TZ, UG, ZM, ZW), Eurasian patent (AM, AZ, BY, KG, KZ, MD, RU, TJ, TM), European patent (AT, BE, BG, CH, CY, CZ, DE, DK, EE, ES, FI, FR, GB, GR, IE, IT, LU, MC, NL, PT, SE, SK, TR), OAPI patent (BF, BJ, CF, CG, CI, CM, GA, GN, GQ, GW, ML, MR, NE, SN, TD, TG).
- (72) Inventors; and
- (75) Inventors/Applicants (*for US only*): BOYLE, Christopher, T. [US/US]; 7667 Callaghan, #601, San Antonio, TX 78229 (US). BAILEY, Steven, R. [US/US]; 3 Village Knoll, San Antonio, TX 78232 (US).

Published:
— with international search report

[Continued on next page]

(54) Title: EMBOLIC PROTECTION DEVICE



(57) Abstract: An embolic protection device (10) includes a catheter body (14) having a central longitudinal lumen, a guidewire (12) positioned within the central longitudinal lumen, and a graft member (16) that is generally tubular in shape in an undeployed state and generally frustoconical in shape in a deployed state. A plurality of openings (30) are formed in the graft member (16) and a plurality of arm members (18) interconnect a proximal end of the graft member with the catheter body. The graft member may be fabricated of superelastic materials, plastically deformable materials or self-expanding materials and the plurality of openings are capable of diametric expansion and reduction proportionate to the degree of diametric expansion and reduction of a corresponding transverse cross-sectional region of the graft member when in the deployed state to capture emboli or particulate matter and minimize extrusion of the captured material through the openings in the graft member when the graft member is collapsed.



WO 03/015840 A3



(88) Date of publication of the international search report:

4 December 2003

For two-letter codes and other abbreviations, refer to the "Guidance Notes on Codes and Abbreviations" appearing at the beginning of each regular issue of the PCT Gazette.

INTERNATIONAL SEARCH REPORT

International application No.
PCT/US02/24578

A. CLASSIFICATION OF SUBJECT MATTER

IPC(7) :A61M 29/00

US CL :606/200

According to International Patent Classification (IPC) or to both national classification and IPC

B. FIELDS SEARCHED

Minimum documentation searched (classification system followed by classification symbols)

U.S. : 606/200

Documentation searched other than minimum documentation to the extent that such documents are included in the fields searched
NONE

Electronic data base consulted during the international search (name of data base and, where practicable, search terms used)

NONE

C. DOCUMENTS CONSIDERED TO BE RELEVANT

Category*	Citation of document, with indication, where appropriate, of the relevant passages	Relevant to claim No.
X, P	US 6,277,139 A (LEVINSON et al) 21 August 2001, figures 1-10.	1-19, 21-29

Further documents are listed in the continuation of Box C. See patent family annex.

•	Special categories of cited documents:	"T"	later document published after the international filing date or priority date and not in conflict with the application but cited to understand the principle or theory underlying the invention
"A"	document defining the general state of the art which is not considered to be of particular relevance	"X"	document of particular relevance; the claimed invention cannot be considered novel or cannot be considered to involve an inventive step when the document is taken alone
"E"	earlier document published on or after the international filing date	"Y"	document of particular relevance; the claimed invention cannot be considered to involve an inventive step when the document is combined with one or more other such documents, such combination being obvious to a person skilled in the art
"L"	document which may throw doubts on priority claim(s) or which is cited to establish the publication date of another citation or other special reason (as specified)	"&"	document member of the same patent family
"O"	document referring to an oral disclosure, use, exhibition or other means		
"P"	document published prior to the international filing date but later than the priority date claimed		

Date of the actual completion of the international search

21 NOVEMBER 2002

Date of mailing of the international search report

19 MAY 2003

Name and mailing address of the ISA/US
Commissioner of Patents and Trademarks
Box PCT
Washington, D.C. 20231

Authorized officer

KEVIN TRUONG

Facsimile No. (703) 305-3230

Telephone No. (703) 308-0858