

(12) NACH DEM VERTRAG ÜBER DIE INTERNATIONALE ZUSAMMENARBEIT AUF DEM GEBIET DES PATENTWESENS (PCT) VERÖFFENTLICHTE INTERNATIONALE ANMELDUNG

(19) Weltorganisation für geistiges Eigentum  
Internationales Büro



(43) Internationales Veröffentlichungsdatum  
17. April 2008 (17.04.2008)

PCT

(10) Internationale Veröffentlichungsnummer  
**WO 2008/043709 A3**

(51) Internationale Patentklassifikation:

**B23D 45/16** (2006.01)    **B24B 23/02** (2006.01)  
**B25B 21/00** (2006.01)    **B26B 29/02** (2006.01)  
**B25F 5/00** (2006.01)    **B25B 25/00** (2006.01)  
**H01M 2/10** (2006.01)    **B26B 25/00** (2006.01)  
**B25F 5/02** (2006.01)    **F16H 55/06** (2006.01)  
**B24B 55/05** (2006.01)    **B26B 29/00** (2006.01)  
**B27G 19/04** (2006.01)    **F16H 1/46** (2006.01)  
**B23Q 11/06** (2006.01)

(30) Angaben zur Priorität:

10 2006 048 315.4  
12. Oktober 2006 (12.10.2006) DE

(71) Anmelder (für alle Bestimmungsstaaten mit Ausnahme von US): **ROBERT BOSCH GMBH** [DE/DE]; Postfach 30 02 20, 70442 Stuttgart (DE).

(72) Erfinder; und

(75) Erfinder/Anmelder (nur für US): **DREHER, Ernst** [DE/DE]; Jakob-Kurz-Str. 28/3, 72760 Reutlingen (DE).

(74) Gemeinsamer Vertreter: **ROBERT BOSCH GMBH**; Postfach 30 02 20, 70442 Stuttgart (DE).

(81) Bestimmungsstaaten (soweit nicht anders angegeben, für jede verfügbare nationale Schutzrechtsart): AE, AG, AL, AM, AT, AU, AZ, BA, BB, BG, BH, BR, BW, BY, BZ, CA, CH, CN, CO, CR, CU, CZ, DK, DM, DO, DZ, EC, EE, EG, ES, FI, GB, GD, GE, GH, GM, GT, HN, HR, HU, ID, IL, IN, IS, JP, KE, KG, KM, KN, KP, KR, KZ, LA, LC, LK,

(21) Internationales Aktenzeichen: PCT/EP2007/060580

(22) Internationales Anmeldedatum:  
5. Oktober 2007 (05.10.2007)

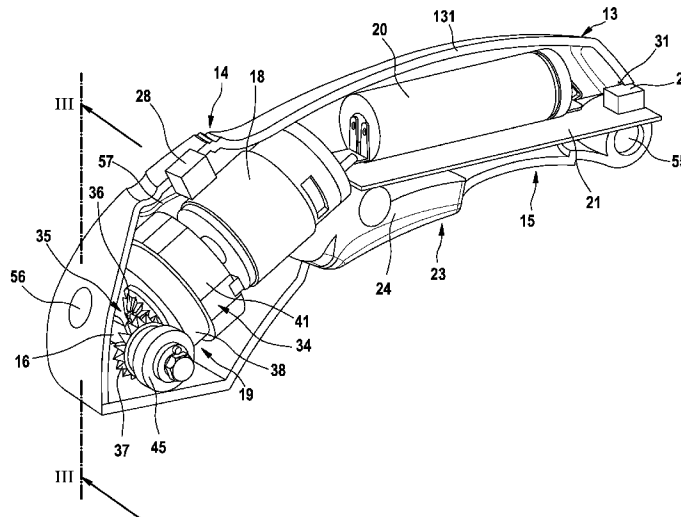
(25) Einreichungssprache: Deutsch

(26) Veröffentlichungssprache: Deutsch

[Fortsetzung auf der nächsten Seite]

(54) Title: HAND MACHINE-TOOL, ESPECIALLY ELECTRICAL SHEARS

(54) Bezeichnung: HANDWERKZEUGMASCHINE, INSBESONDERE ELEKTRISCHE SCHERE



(57) Abstract: The invention relates to a hand machine-tool, especially electrical shears, comprising a housing (13) provided with a tool head (14) and a grip part (15), an electric motor (18) arranged in the housing (13), a switch (22) for the electric motor (18), and a drive shaft (16) mounted in the tool head (14), transversally to the housing axis. Said drive shaft can be driven by the electric motor (18) by means of a transmission (19). The hand machine-tool also comprises a rotary tool (11) that can be fixed to the drive shaft (16). The aim of the invention is to create a compact, structurally small and lightweight hand machine-tool for work without generating fatigue. To this end, a small-volume, rechargeable energy accumulator, preferably a lithium ion accumulator (20), which feeds the electric motor (18) and has a high charging capacity, is arranged in the grip part, together with an electronic plate (21) and the switch. The transmission (19) and at least part of the electric motor (18) are arranged in the tool head (14).

(57) Zusammenfassung: Es wird eine Handwerkzeugmaschine, insbesondere eine elektrische Schere angegeben, die ein Gehäuse (13) mit einem Werkzeugkopf (14) und einem Griffteil (15), einen im Gehäuse (13) angeordneten Elektromotor (18), einen Ein-/Ausschalter (22) für den Elektromotor (18) und eine im Werkzeugkopf (14) gelagerte, quer zur Gehäuseachse ausgerichtete

[Fortsetzung auf der nächsten Seite]

WO 2008/043709 A3



LR, LS, LT, LU, LY, MA, MD, ME, MG, MK, MN, MW, MX, MY, MZ, NA, NG, NI, NO, NZ, OM, PG, PH, PL, PT, RO, RS, RU, SC, SD, SE, SG, SK, SL, SM, SV, SY, TJ, TM, TN, TR, TT, TZ, UA, UG, US, UZ, VC, VN, ZA, ZM, ZW.

**(84) Bestimmungsstaaten** (soweit nicht anders angegeben, für jede verfügbare regionale Schutzrechtsart): ARIPO (BW, GH, GM, KE, LS, MW, MZ, NA, SD, SL, SZ, TZ, UG, ZM, ZW), eurasisches (AM, AZ, BY, KG, KZ, MD, RU, TJ, TM), europäisches (AT, BE, BG, CH, CY, CZ, DE, DK, EE, ES, FI, FR, GB, GR, HU, IE, IS, IT, LT, LU, LV, MC,

MT, NL, PL, PT, RO, SE, SI, SK, TR), OAPI (BF, BJ, CF, CG, CI, CM, GA, GN, GQ, GW, ML, MR, NE, SN, TD, TG).

**Veröffentlicht:**

- mit internationalem Recherchenbericht
- vor Ablauf der für Änderungen der Ansprüche geltenden Frist; Veröffentlichung wird wiederholt, falls Änderungen eintreffen

**(88) Veröffentlichungsdatum des internationalen**

**Recherchenberichts:** 18. September 2008

---

Antriebswelle (16), die vom Elektromotor (18) über ein Getriebe (19) antreibbar ist, und ein auf der Antriebswelle (16) festsetzbares Drehwerkzeug (11) aufweist. Zur Realisierung einer kompakten, baukleinen und leichtgewichtigen Handwerkzeugmaschine für ein ermüdungsfreies Arbeiten ist im Griffteil (15) ein den Elektromotor (18) speisender, aufladbarer, volumenkleiner Energiespeicher mit hoher Ladekapazität, vorzugsweise ein Lithium-Ionen-Akku (20), zusammen mit einer Elektronikplatine (21) und dem Ein-/Ausschalter (22) integriert und das Getriebe (19) und zumindest teilweise der Elektromotor (18) im Werkzeugkopf (14) angeordnet.

**INTERNATIONAL SEARCH REPORT**

International application No  
PCT/EP2007/060580

<b>A. CLASSIFICATION OF SUBJECT MATTER</b>					
INV.	B23D45/16	B25B21/00	B25F5/00	H01M2/10	B25F5/02
	B24B55/05	B27G19/04	B23Q11/06	B24B23/02	B26B29/02
	B25B25/00	B26B25/00	F16H1/46	F16H55/06	B26B29/00

According to International Patent Classification (IPC) or to both national classification and IPC

**B. FIELDS SEARCHED**

Minimum documentation searched (classification system followed by classification symbols)

B23D B25B B25F H01M B24B B27G B23Q B26B F16H B22F

Documentation searched other than minimum documentation to the extent that such documents are included in the fields searched

Electronic data base consulted during the international search (name of data base and, where practical, search terms used)

EPO-Internal

**C. DOCUMENTS CONSIDERED TO BE RELEVANT**

Category*	Citation of document, with indication, where appropriate, of the relevant passages	Relevant to claim No.
X	DE 10 2004 051913 A1 (BOSCH GMBH ROBERT [DE]) 23 February 2006 (2006-02-23)	1-7, 29-31
Y	paragraph [0038] - paragraph [0073]; figures 1-10	28
Y	DE 10 2004 032788 A1 (BOSCH GMBH ROBERT [DE]) 16 February 2006 (2006-02-16)	28
	paragraphs [0002], [0003]; figure 1	
X	DE 203 21 137 U1 (BOSCH GMBH ROBERT [DE]) 12 January 2006 (2006-01-12)	1
A	paragraph [0035] - paragraph [0044]; figures 1-9	8
Y	paragraph [0002] - paragraph [0013]	1
	----- -/--	

Further documents are listed in the continuation of Box C.

See patent family annex.

\* Special categories of cited documents :

- \*A\* document defining the general state of the art which is not considered to be of particular relevance
- \*E\* earlier document but published on or after the international filing date
- \*L\* document which may throw doubts on priority claim(s) or which is cited to establish the publication date of another citation or other special reason (as specified)
- \*O\* document referring to an oral disclosure, use, exhibition or other means
- \*P\* document published prior to the international filing date but later than the priority date claimed

- \*T\* later document published after the international filing date or priority date and not in conflict with the application but cited to understand the principle or theory underlying the invention
- \*X\* document of particular relevance; the claimed invention cannot be considered novel or cannot be considered to involve an inventive step when the document is taken alone
- \*Y\* document of particular relevance; the claimed invention cannot be considered to involve an inventive step when the document is combined with one or more other such documents, such combination being obvious to a person skilled in the art.
- \* & \* document member of the same patent family

Date of the actual completion of the international search

3 Juli 2008

Date of mailing of the international search report

09/07/2008

Name and mailing address of the ISA/

European Patent Office, P.B. 5818 Patentlaan 2  
NL - 2280 HV Rijswijk  
Tel. (+31-70) 340-2040, Tx. 31 651 epo nl,  
Fax: (+31-70) 340-3016

Authorized officer

Maier, Michael

## INTERNATIONAL SEARCH REPORT

International application No  
PCT/EP2007/060580

C(Continuation). DOCUMENTS CONSIDERED TO BE RELEVANT

Category*	Citation of document, with indication, where appropriate, of the relevant passages	Relevant to claim No.
Y	US 3 906 629 A (FUCHS JR FRANCIS JOSEPH) 23 September 1975 (1975-09-23) column 2, line 44 - column 5, line 15; figures 1-9	1
X	----- DE 10 2005 001774 A1 (CEYLAN GMBH [DE]) 27 July 2006 (2006-07-27) paragraph [0027] - paragraph [0034]; figures 1-6	1
X	----- DE 10 2004 038788 A1 (BOSCH GMBH ROBERT [DE]) 23 February 2006 (2006-02-23) paragraphs [0006], [0009]; figures 3,5-7	1,6
X	----- US 2001/029819 A1 (OKOUCHI KATSUMI [JP]) 18 October 2001 (2001-10-18) paragraph [0020] - paragraph [0063]; figures 1-3	1,29,30
A	----- US 4 976 034 A (WHITMAN ANTHONY T [US]) 11 December 1990 (1990-12-11) the whole document	1
X	----- US 4 974 475 A (LORD JOHN M [US] ET AL) 4 December 1990 (1990-12-04)	8-10
Y	column 3 - column 6; figures 1-5	13-23
X	----- US 2003/041717 A1 (EVENSON BEN L [US]) 6 March 2003 (2003-03-06)	1
Y	paragraph [0160] - paragraph [0176]; figures 1-9	8-10, 13-15, 18-24
Y	----- DE 103 30 180 A1 (BOSCH GMBH ROBERT [DE]) 27 January 2005 (2005-01-27) paragraph [0008] - paragraph [0011]; figures 1,2	8-15, 18-24
Y	----- WO 2006/021073 A (PROVOST DAN [CA]) 2 March 2006 (2006-03-02) page 7 - page 12; figures 1-3	8-15, 18-23
Y	----- US 5 903 815 A (SCOTT NORMAN WILLIAM [CA]) 11 May 1999 (1999-05-11) column 3 - column 5; figures 1-8	13
Y	----- DE 198 15 860 A1 (JATCO CORP [JP]) 22 October 1998 (1998-10-22) paragraph [0008] - paragraph [0011]; figures 1,2	14
Y	----- US 6 732 606 B1 (ZHU DONG [US] ET AL) 11 May 2004 (2004-05-11) column 3 - column 5; figures 1,2	16
	----- -/--	

## INTERNATIONAL SEARCH REPORT

International application No  
PCT/EP2007/060580

C(Continuation). DOCUMENTS CONSIDERED TO BE RELEVANT

Category*	Citation of document, with indication, where appropriate, of the relevant passages	Relevant to claim No.
Y	DE 198 44 501 A1 (ATLAS COPCO ELECTRIC TOOLS [DE] A & M ELECTRIC TOOLS GMBH [DE]) 30 March 2000 (2000-03-30) column 3 - column 5; figures 1,2 -----	8,15,17
Y	DE 92 08 407 U1 (BOSCH GMBH ROBERT [DE]) 21 October 1993 (1993-10-21) page 2 - page 5; figures 1,2 -----	8,15,17
Y	FR 2 768 355 A (TOUJAS DANIEL JEAN MARIE [FR]) 19 March 1999 (1999-03-19) page 1 - page 3; figures 1,2 -----	8,15,17
Y	FR 2 533 474 A (BLACK & DECKER INC [US]) 30 March 1984 (1984-03-30) page 5 - page 17; figures 1,2 -----	18,19
Y	FR 2 494 620 A (FEIN C & E [DE]) 28 May 1982 (1982-05-28) page 3 - page 4; figures 1,2 -----	18,19
Y	DE 295 01 974 U1 (BOSCH GMBH ROBERT [DE]) 5 June 1996 (1996-06-05) page 4 - page 9; figures 1-6 -----	18,19
A	DE 197 37 239 A1 (BOSCH GMBH ROBERT [DE]) 11 March 1999 (1999-03-11) column 5, line 24 - line 45; figure 8 -----	24
Y	US 2003/181152 A1 (HOFMANN ALBRECHT [DE] ET AL) 25 September 2003 (2003-09-25) paragraph [0027] - paragraph [0050]; figures 1-5 -----	20,22,23
Y	US 5 373 834 A (CHIUMINATTA EDWARD R [US] ET AL) 20 December 1994 (1994-12-20) column 5, line 25 - column 9, line 13; figures 1-6 -----	20,21
Y	EP 1 213 107 A (C & E FEIN GMBH & CO KG [DE]) 12 June 2002 (2002-06-12) paragraph [0052] - paragraph [0089]; figures 1-20 -----	20,21
Y	DE 201 02 020 U1 (KARAKAS GMBH [DE]) 2 August 2001 (2001-08-02) page 4 - page 7; figures 1-4B -----	20,21
Y	DE 296 05 033 U1 (WUENSCHMANN DETLEF [DE]) 14 August 1996 (1996-08-14) page 1 - page 2; figures 1,2 -----	20,21
	-/--	

## Box No. II Observations where certain claims were found unsearchable (Continuation of item 2 of first sheet)

This international search report has not been established in respect of certain claims under Article 17(2)(a) for the following reasons:

1.  Claims Nos.:  
because they relate to subject matter not required to be searched by this Authority, namely:
  
2.  Claims Nos.:  
because they relate to parts of the international application that do not comply with the prescribed requirements to such an extent that no meaningful international search can be carried out, specifically:
  
3.  Claims Nos.:  
because they are dependent claims and are not drafted in accordance with the second and third sentences of Rule 6.4(a).

## Box No. III Observations where unity of invention is lacking (Continuation of item 3 of first sheet)

This International Searching Authority found multiple inventions in this international application, as follows:

1.  As all required additional search fees were timely paid by the applicant, this international search report covers all searchable claims.
2.  As all searchable claims could be searched without effort justifying additional fees, this Authority did not invite payment of additional fees.
3.  As only some of the required additional search fees were timely paid by the applicant, this international search report covers only those claims for which fees were paid, specifically claims Nos.:
  
4.  No required additional search fees were timely paid by the applicant. Consequently, this international search report is restricted to the invention first mentioned in the claims; it is covered by claims Nos.:

Remark on Protest

- The additional search fees were accompanied by the applicant's protest and, where applicable, the payment of a protest fee.
- The additional search fees were accompanied by the applicant's protest but the applicable protest fee was not paid within the time limit specified in the invitation.
- No protest accompanied the payment of additional search fees.

The International Searching Authority has found that the international application contains multiple (groups of) inventions, as follows:

**1. Claims 1-7, 28-31**

**1. Hand machine-tool comprising**  
a housing (13) provided with a tool head (14) and a grip part (15),  
an electric motor (18) arranged in the housing (13),  
a drive shaft (16) mounted in the tool head (14), wherein said drive shaft can be driven by the electric motor (18) via a transmission (19),  
and a turning tool (11) that can be fixed to the drive shaft (16),  
characterized in that  
a rechargeable energy accumulator having a high charging capacity, preferably a lithium ion accumulator (20), which feeds the electric motor (18), is arranged in the grip part (15),  
together with an electronic plate (21) and an on/off switch (22)  
and that the transmission (19)  
and at least part of the electric motor (18) are arranged in the tool head (14).

**1.1. Claims 2-3**

Hand machine-tool according to claim 1 with a switch, a charging socket and a charging circuit arrangement, which are all arranged on an electronic plate, as well as an energy accumulator arranged above the electronic plate.

**1.2. Claims 4-5**

Hand machine-tool according to claim 1, comprising an actuating element arranged at the bottom side of the grip part.

**1.3. Claim 6**

Hand machine-tool according to claim 1, comprising a grip covering having a structure similar to that of a golf ball.

**1.4. Claim 7**

Hand machine-tool according to claim 1, comprising a banana-shaped curved housing.

**1.5. Claim 28**

Hand machine-tool according to claim 1, comprising a suspension eye at the end of the housing which points away from the tool head.

**1.6. Claims 29-31**

**Hand machine-tool according to claim 1, comprising an electric lamp mounted on the front face of the housing.**

---

**2. Claims 8-17**

**Hand machine-tool according to claim 1, comprising a reduction gear arranged in the tool head and a bevel gear.**

---

**3. Claims 18-19**

**Hand machine-tool according to claim 1, comprising a drive shaft which on the one hand is accommodated in the ball bearing and on the other hand in a sintered bearing.**

---

**4. Claims 20-24**

**Hand machine-tool according to claim 1, comprising a disc-shaped turning tool and a drive shaft having a bearing flange with rotational engagement for the turning tool, as well as a protective hood for the turning tool.**

---

**5. Claims 25-27**

**Hand machine-tool according to claim 1, comprising a disc-shaped turning tool that is configured as a polygonal cutting wheel and a blade holder plate that can be exchanged against sprung protective brackets.**

---



## INTERNATIONAL SEARCH REPORT

International application No  
PCT/EP2007/060580

C(Continuation). DOCUMENTS CONSIDERED TO BE RELEVANT

Category*	Citation of document, with indication, where appropriate, of the relevant passages	Relevant to claim No.
Y	US 3 670 412 A (CUNNINGHAM FRANK W) 20 June 1972 (1972-06-20) column 2, line 18 - column 4, line 15; figures 1-6 -----	20-22
X	DE 197 04 688 C1 (LEBESSIS ELIAS [DE]) 6 August 1998 (1998-08-06)	25,26
A	column 5, line 18 - column 7, line 35; figures 1-5 -----	27
A	SU 1 768 384 A1 (NII T MASH [SU]) 15 October 1992 (1992-10-15) cited in the application the whole document -----	25,26
A	DE 28 56 866 A1 (IDSUND AAKE) 22 November 1979 (1979-11-22) page 4 - page 7; figures 1-3 -----	25,27
A	US 1 395 150 A (SCALFARO FRANK A ET AL) 25 October 1921 (1921-10-25) page 1, line 69 - page 2, line 62; figures 1-3 -----	25,27

## INTERNATIONAL SEARCH REPORT

Information on patent family members

International application No

PCT/EP2007/060580

Patent document cited in search report	Publication date	Patent family member(s)	Publication date
DE 102004051913 A1	23-02-2006	EP 1778440 A1 WO 2006015909 A1 US 2007256914 A1	02-05-2007 16-02-2006 08-11-2007
DE 102004032788 A1	16-02-2006	NONE	
DE 20321137 U1	12-01-2006	NONE	
US 3906629 A	23-09-1975	CA 1020082 A1 DE 2550466 A1 FR 2290281 A1 GB 1493716 A HK 86979 A IT 1047428 B JP 51062481 A	01-11-1977 13-05-1976 04-06-1976 30-11-1977 28-12-1979 10-09-1980 31-05-1976
DE 102005001774 A1	27-07-2006	NONE	
DE 102004038788 A1	23-02-2006	CN 101001723 A EP 1778444 A2 WO 2006015900 A2 US 2007120527 A1	18-07-2007 02-05-2007 16-02-2006 31-05-2007
US 2001029819 A1	18-10-2001	CN 1318456 A DE 10119061 A1 JP 3874990 B2 JP 2001300818 A	24-10-2001 15-11-2001 31-01-2007 30-10-2001
US 4976034 A	11-12-1990	NONE	
US 4974475 A	04-12-1990	NONE	
US 2003041717 A1	06-03-2003	NONE	
DE 10330180 A1	27-01-2005	NONE	
WO 2006021073 A	02-03-2006	CA 2471616 A1 US 2007227315 A1	23-09-2004 04-10-2007
US 5903815 A	11-05-1999	CA 2089433 A1	13-08-1993
DE 19815860 A1	22-10-1998	US 6012350 A	11-01-2000
US 6732606 B1	11-05-2004	BR 0103392 A CN 1329959 A EP 1167825 A2 JP 2002070988 A PL 348347 A1	09-04-2002 09-01-2002 02-01-2002 08-03-2002 02-01-2002
DE 19844501 A1	30-03-2000	NONE	
DE 9208407 U1	21-10-1993	GB 2268112 A IT MI930515 U1	05-01-1994 24-12-1993
FR 2768355 A	19-03-1999	NONE	
FR 2533474 A	30-03-1984	DE 3331661 A1	29-03-1984

## INTERNATIONAL SEARCH REPORT

Information on patent family members

International application No

PCT/EP2007/060580

Patent document cited in search report		Publication date	Patent family member(s)	Publication date
FR 2494620	A	28-05-1982	CH 654773 A5	14-03-1986
			JP 57156122 A	27-09-1982
			JP 2024576 Y2	05-07-1990
			JP 60120722 U	15-08-1985
DE 29501974	U1	05-06-1996	CN 1136491 A	27-11-1996
			GB 2297871 A	14-08-1996
			IT MI960144 A1	28-07-1997
DE 19737239	A1	11-03-1999	CN 1272974 A	08-11-2000
			WO 9910966 A1	04-03-1999
			EP 1008229 A1	14-06-2000
			JP 2002519980 T	02-07-2002
			US 6326710 B1	04-12-2001
US 2003181152	A1	25-09-2003	CN 1464817 A	31-12-2003
			WO 03002304 A1	09-01-2003
			DE 10131326 A1	16-01-2003
			EP 1404490 A1	07-04-2004
			JP 2004520958 T	15-07-2004
US 5373834	A	20-12-1994	AT 130238 T	15-12-1995
			AU 4044793 A	08-11-1993
			CA 2132195 A1	04-10-1993
			DE 69300824 D1	21-12-1995
			DE 69300824 T2	25-04-1996
			DK 633830 T3	18-12-1995
			EP 0633830 A1	18-01-1995
			ES 2079978 T3	16-01-1996
			HK 40997 A	11-04-1997
			JP 2829357 B2	25-11-1998
			JP 8501734 T	27-02-1996
			WO 9319907 A1	14-10-1993
			US 5303688 A	19-04-1994
			EP 1213107	A
CN 1357431 A	10-07-2002			
DE 10061559 A1	13-06-2002			
JP 2002233972 A	20-08-2002			
US 2002070037 A1	13-06-2002			
DE 20102020	U1	02-08-2001	NONE	
DE 29605033	U1	14-08-1996	NONE	
US 3670412	A	20-06-1972	NONE	
DE 19704688	C1	06-08-1998	EP 0861710 A1	02-09-1998
SU 1768384	A1	15-10-1992	NONE	
DE 2856866	A1	22-11-1979	SE 419306 B	27-07-1981
			SE 7714955 A	01-07-1979
US 1395150	A	25-10-1921	NONE	

# INTERNATIONALER RECHERCHENBERICHT

internationales Aktenzeichen  
PCT/EP2007/060580

A. KLASSIFIZIERUNG DES ANMELDUNGSGEGENSTANDES					
INV.	B23D45/16	B25B21/00	B25F5/00	H01M2/10	B25F5/02
	B24B55/05	B27G19/04	B23Q11/06	B24B23/02	B26B29/02
	B25B25/00	B26B25/00	F16H1/46	F16H55/06	B26B29/00
Nach der Internationalen Patentklassifikation (IPC) oder nach der nationalen Klassifikation und der IPC					
B. RECHERCHIERTE GEBIETE					
Recherchierter Mindestprüfstoff (Klassifikationssystem und Klassifikationssymbole)					
B23D B25B B25F H01M B24B B27G B23Q B26B F16H B22F					
Recherchierte, aber nicht zum Mindestprüfstoff gehörende Veröffentlichungen, soweit diese unter die recherchierten Gebiete fallen					
Während der internationalen Recherche konsultierte elektronische Datenbank (Name der Datenbank und evtl. verwendete Suchbegriffe)					
EPO-Internal					
C. ALS WESENTLICH ANGESEHENE UNTERLAGEN					
Kategorie*	Bezeichnung der Veröffentlichung, soweit erforderlich unter Angabe der in Betracht kommenden Teile				Betr. Anspruch Nr.
X	DE 10 2004 051913 A1 (BOSCH GMBH ROBERT [DE]) 23. Februar 2006 (2006-02-23)				1-7, 29-31
Y	Absatz [0038] - Absatz [0073]; Abbildungen 1-10				28
Y	DE 10 2004 032788 A1 (BOSCH GMBH ROBERT [DE]) 16. Februar 2006 (2006-02-16)				28
	Absätze [0002], [0003]; Abbildung 1				
X	DE 203 21 137 U1 (BOSCH GMBH ROBERT [DE]) 12. Januar 2006 (2006-01-12)				1
A	Absatz [0035] - Absatz [0044]; Abbildungen 1-9				8
Y	Absatz [0002] - Absatz [0013]				1
	----- -/--				
<input checked="" type="checkbox"/> Weitere Veröffentlichungen sind der Fortsetzung von Feld C zu entnehmen <input checked="" type="checkbox"/> Siehe Anhang Patentfamilie					
* Besondere Kategorien von angegebenen Veröffentlichungen : *A* Veröffentlichung, die den allgemeinen Stand der Technik definiert, aber nicht als besonders bedeutsam anzusehen ist *E* älteres Dokument, das jedoch erst am oder nach dem internationalen Anmeldedatum veröffentlicht worden ist *L* Veröffentlichung, die geeignet ist, einen Prioritätsanspruch zweifelhaft erscheinen zu lassen, oder durch die das Veröffentlichungsdatum einer anderen im Recherchenbericht genannten Veröffentlichung belegt werden soll oder die aus einem anderen besonderen Grund angegeben ist (wie ausgeführt) *O* Veröffentlichung, die sich auf eine mündliche Offenbarung, eine Benutzung, eine Ausstellung oder andere Maßnahmen bezieht *P* Veröffentlichung, die vor dem internationalen Anmeldedatum, aber nach dem beanspruchten Prioritätsdatum veröffentlicht worden ist			*T* Spätere Veröffentlichung, die nach dem internationalen Anmeldedatum oder dem Prioritätsdatum veröffentlicht worden ist und mit der Anmeldung nicht kollidiert, sondern nur zum Verständnis des der Erfindung zugrundeliegenden Prinzips oder der ihr zugrundeliegenden Theorie angegeben ist *X* Veröffentlichung von besonderer Bedeutung; die beanspruchte Erfindung kann allein aufgrund dieser Veröffentlichung nicht als neu oder auf erfinderischer Tätigkeit beruhend betrachtet werden *Y* Veröffentlichung von besonderer Bedeutung; die beanspruchte Erfindung kann nicht als auf erfinderischer Tätigkeit beruhend betrachtet werden, wenn die Veröffentlichung mit einer oder mehreren anderen Veröffentlichungen dieser Kategorie in Verbindung gebracht wird und diese Verbindung für einen Fachmann naheliegend ist *&* Veröffentlichung, die Mitglied derselben Patentfamilie ist		
Datum des Abschlusses der internationalen Recherche			Absenddatum des internationalen Recherchenberichts		
3. Juli 2008			09/07/2008		
Name und Postanschrift der Internationalen Recherchenbehörde Europäisches Patentamt, P.B. 5818 Patentlaan 2 NL - 2280 HV Rijswijk Tel. (+31-70) 340-2040, Tx. 31 651 epo nl, Fax: (+31-70) 340-3016			Bevollmächtigter Bediensteter  Maier, Michael		

## C. (Fortsetzung) ALS WESENTLICH ANGESEHENE UNTERLAGEN

Kategorie*	Bezeichnung der Veröffentlichung, soweit erforderlich unter Angabe der in Betracht kommenden Teile	Betr. Anspruch Nr.
Y	US 3 906 629 A (FUCHS JR FRANCIS JOSEPH) 23. September 1975 (1975-09-23) Spalte 2, Zeile 44 - Spalte 5, Zeile 15; Abbildungen 1-9	1
X	DE 10 2005 001774 A1 (CEYLAN GMBH [DE]) 27. Juli 2006 (2006-07-27) Absatz [0027] - Absatz [0034]; Abbildungen 1-6	1
X	DE 10 2004 038788 A1 (BOSCH GMBH ROBERT [DE]) 23. Februar 2006 (2006-02-23) Absätze [0006], [0009]; Abbildungen 3,5-7	1,6
X	US 2001/029819 A1 (OKOUCHI KATSUMI [JP]) 18. Oktober 2001 (2001-10-18) Absatz [0020] - Absatz [0063]; Abbildungen 1-3	1,29,30
A	US 4 976 034 A (WHITMAN ANTHONY T [US]) 11. Dezember 1990 (1990-12-11) das ganze Dokument	1
X	US 4 974 475 A (LORD JOHN M [US] ET AL) 4. Dezember 1990 (1990-12-04)	8-10
Y	Spalte 3 - Spalte 6; Abbildungen 1-5	13-23
X	US 2003/041717 A1 (EVENSON BEN L [US]) 6. März 2003 (2003-03-06)	1
Y	Absatz [0160] - Absatz [0176]; Abbildungen 1-9	8-10, 13-15, 18-24
Y	DE 103 30 180 A1 (BOSCH GMBH ROBERT [DE]) 27. Januar 2005 (2005-01-27) Absatz [0008] - Absatz [0011]; Abbildungen 1,2	8-15, 18-24
Y	WO 2006/021073 A (PROVOST DAN [CA]) 2. März 2006 (2006-03-02) Seite 7 - Seite 12; Abbildungen 1-3	8-15, 18-23
Y	US 5 903 815 A (SCOTT NORMAN WILLIAM [CA]) 11. Mai 1999 (1999-05-11) Spalte 3 - Spalte 5; Abbildungen 1-8	13
Y	DE 198 15 860 A1 (JATCO CORP [JP]) 22. Oktober 1998 (1998-10-22) Absatz [0008] - Absatz [0011]; Abbildungen 1,2	14
Y	US 6 732 606 B1 (ZHU DONG [US] ET AL) 11. Mai 2004 (2004-05-11) Spalte 3 - Spalte 5; Abbildungen 1,2	16
	-/--	

C. (Fortsetzung) ALS WESENTLICH ANGESEHENE UNTERLAGEN		
Kategorie*	Bezeichnung der Veröffentlichung, soweit erforderlich unter Angabe der in Betracht kommenden Teile	Betr. Anspruch Nr.
Y	DE 198 44 501 A1 (ATLAS COPCO ELECTRIC TOOLS [DE] A & M ELECTRIC TOOLS GMBH [DE]) 30. März 2000 (2000-03-30) Spalte 3 - Spalte 5; Abbildungen 1,2	8,15,17
Y	DE 92 08 407 U1 (BOSCH GMBH ROBERT [DE]) 21. Oktober 1993 (1993-10-21) Seite 2 - Seite 5; Abbildungen 1,2	8,15,17
Y	FR 2 768 355 A (TOUJAS DANIEL JEAN MARIE [FR]) 19. März 1999 (1999-03-19) Seite 1 - Seite 3; Abbildungen 1,2	8,15,17
Y	FR 2 533 474 A (BLACK & DECKER INC [US]) 30. März 1984 (1984-03-30) Seite 5 - Seite 17; Abbildungen 1,2	18,19
Y	FR 2 494 620 A (FEIN C & E [DE]) 28. Mai 1982 (1982-05-28) Seite 3 - Seite 4; Abbildungen 1,2	18,19
Y	DE 295 01 974 U1 (BOSCH GMBH ROBERT [DE]) 5. Juni 1996 (1996-06-05) Seite 4 - Seite 9; Abbildungen 1-6	18,19
A	DE 197 37 239 A1 (BOSCH GMBH ROBERT [DE]) 11. März 1999 (1999-03-11) Spalte 5, Zeile 24 - Zeile 45; Abbildung 8	24
Y	US 2003/181152 A1 (HOFMANN ALBRECHT [DE] ET AL) 25. September 2003 (2003-09-25) Absatz [0027] - Absatz [0050]; Abbildungen 1-5	20,22,23
Y	US 5 373 834 A (CHIUMINATTA EDWARD R [US] ET AL) 20. Dezember 1994 (1994-12-20) Spalte 5, Zeile 25 - Spalte 9, Zeile 13; Abbildungen 1-6	20,21
Y	EP 1 213 107 A (C & E FEIN GMBH & CO KG [DE]) 12. Juni 2002 (2002-06-12) Absatz [0052] - Absatz [0089]; Abbildungen 1-20	20,21
Y	DE 201 02 020 U1 (KARAKAS GMBH [DE]) 2. August 2001 (2001-08-02) Seite 4 - Seite 7; Abbildungen 1-4B	20,21
Y	DE 296 05 033 U1 (WUENSCHMANN DETLEF [DE]) 14. August 1996 (1996-08-14) Seite 1 - Seite 2; Abbildungen 1,2	20,21
	-/--	

C. (Fortsetzung) ALS WESENTLICH ANGESEHENE UNTERLAGEN		
Kategorie*	Bezeichnung der Veröffentlichung, soweit erforderlich unter Angabe der in Betracht kommenden Teile	Beitr. Anspruch Nr.
Y	US 3 670 412 A (CUNNINGHAM FRANK W) 20. Juni 1972 (1972-06-20) Spalte 2, Zeile 18 - Spalte 4, Zeile 15; Abbildungen 1-6 -----	20-22
X	DE 197 04 688 C1 (LEBESSIS ELIAS [DE]) 6. August 1998 (1998-08-06) Spalte 5, Zeile 18 - Spalte 7, Zeile 35; Abbildungen 1-5 -----	25,26
A		27
A	SU 1 768 384 A1 (NII T MASH [SU]) 15. Oktober 1992 (1992-10-15) in der Anmeldung erwähnt das ganze Dokument. -----	25,26
A	DE 28 56 866 A1 (IDSUND AAKE) 22. November 1979 (1979-11-22) Seite 4 - Seite 7; Abbildungen 1-3 -----	25,27
A	US 1 395 150 A (SCALFARO FRANK A ET AL) 25. Oktober 1921 (1921-10-25) Seite 1, Zeile 69 - Seite 2, Zeile 62; Abbildungen 1-3 -----	25,27

**Feld Nr. II Bemerkungen zu den Ansprüchen, die sich als nicht recherchierbar erwiesen haben (Fortsetzung von Punkt 2 auf Blatt 1)**

Gemäß Artikel 17(2)a) wurde aus folgenden Gründen für bestimmte Ansprüche kein internationaler Recherchenbericht erstellt:

1.  Ansprüche Nr.  
weil sie sich auf Gegenstände beziehen, zu deren Recherche diese Behörde nicht verpflichtet ist, nämlich
  
2.  Ansprüche Nr.  
weil sie sich auf Teile der internationalen Anmeldung beziehen, die den vorgeschriebenen Anforderungen so wenig entsprechen, dass eine sinnvolle internationale Recherche nicht durchgeführt werden kann, nämlich
  
3.  Ansprüche Nr.  
weil es sich dabei um abhängige Ansprüche handelt, die nicht entsprechend Satz 2 und 3 der Regel 6.4 a) abgefasst sind.

**Feld Nr. III Bemerkungen bei mangelnder Einheitlichkeit der Erfindung (Fortsetzung von Punkt 3 auf Blatt 1)**

Diese Internationale Recherchenbehörde hat festgestellt, dass diese internationale Anmeldung mehrere Erfindungen enthält:

siehe Zusatzblatt

1.  Da der Anmelder alle erforderlichen zusätzlichen Recherchegebühren rechtzeitig entrichtet hat, erstreckt sich dieser internationale Recherchenbericht auf alle recherchierbaren Ansprüche.
  
2.  Da für alle recherchierbaren Ansprüche die Recherche ohne einen Arbeitsaufwand durchgeführt werden konnte, der zusätzliche Recherchegebühr gerechtfertigt hätte, hat die Behörde nicht zur Zahlung solcher Gebühren aufgefordert.
  
3.  Da der Anmelder nur einige der erforderlichen zusätzlichen Recherchegebühren rechtzeitig entrichtet hat, erstreckt sich dieser internationale Recherchenbericht nur auf die Ansprüche, für die Gebühren entrichtet worden sind, nämlich auf die Ansprüche Nr.
  
4.  Der Anmelder hat die erforderlichen zusätzlichen Recherchegebühren nicht rechtzeitig entrichtet. Dieser internationale Recherchenbericht beschränkt sich daher auf die in den Ansprüchen zuerst erwähnte Erfindung; diese ist in folgenden Ansprüchen erfasst:

**Bemerkungen hinsichtlich eines Widerspruchs**

- Der Anmelder hat die zusätzlichen Recherchegebühren unter Widerspruch entrichtet und die gegebenenfalls erforderliche Widerspruchsgebühr gezahlt.
- Die zusätzlichen Recherchegebühren wurden vom Anmelder unter Widerspruch gezahlt, jedoch wurde die entsprechende Widerspruchsgebühr nicht innerhalb der in der Aufforderung angegebenen Frist entrichtet.
- Die Zahlung der zusätzlicher Recherchegebühren erfolgte ohne Widerspruch.



## WEITERE ANGABEN

PCT/ISA/ 210

Die internationale Recherchenbehörde hat festgestellt, dass diese internationale Anmeldung mehrere (Gruppen von) Erfindungen enthält, nämlich:

## 1. Ansprüche: 1-7,28-31

1. Handwerkzeugmaschine mit einem Gehäuse (13), das einen Werkzeugkopf (14) und einen Griffteil (15) aufweist, mit einem im Gehäuse (13) angeordneten Elektromotor (18), mit einer im Werkzeugkopf (14) gelagerten Antriebswelle (16), die vom Elektromotor (18) über ein Getriebe (19) antreibbar ist, und mit einem auf der Antriebswelle (16) festsetzbaren Drehwerkzeug (11), dadurch gekennzeichnet, dass im Griffteil (15) ein den Elektromotor (18) speisender, aufladbarer, Energiespeicher mit hoher Ladekapazität, vorzugsweise ein Lithium-Ionen-Akku (20), zusammen mit einer Elektronikplatine (21) und einem Ein-/Ausschalter (22) integriert ist und dass das Getriebe (19) und zumindest teilweise der Elektromotor (18) im Werkzeugkopf (14) angeordnet sind.

## 1.1. Ansprüche: 2-3

Handwerkzeugmaschine nach Anspruch 1 mit Schalter, Ladebuchse und Ladeschaltungsanordnung, welche auf einer Elektronikplatine angeordnet sind, sowie oberhalb der Elektronikplatine angeordnetem Energiespeicher.

## 1.2. Ansprüche: 4-5

Handwerkzeugmaschine nach Anspruch 1 mit an der Unterseite des Griffteils angeordnetem Betätigungselement.

## 1.3. Anspruch: 6

Handwerkzeugmaschine nach Anspruch 1 mit Griffbelag mit einer golfballähnlichen Struktur.

## 1.4. Anspruch: 7

Handwerkzeugmaschine nach Anspruch 1 mit bananenähnlich gekrümmt ausgebildetem Gehäuse.

## 1.5. Anspruch: 28

Handwerkzeugmaschine nach Anspruch 1 mit Aufhängeöse am vom Werkzeugkopf abgekehrten Ende des Gehäuses.

## 1.6. Ansprüche: 29-31

## WEITERE ANGABEN

PCT/ISA/ 210

Handwerkzeugmaschine nach Anspruch 1 mit elektrischer Lampe an der Frontseite des Gehäuses.  
---

## 2. Ansprüche: 8-17

Handwerkzeugmaschine nach Anspruch 1 mit im Werkzeugkopf angeordnetem Reduziergetriebe sowie Kegelaradgetriebe.  
---

## 3. Ansprüche: 18-19

Handwerkzeugmaschine nach Anspruch 1 mit einerseits in Kugellager und andererseits in Sinterlager aufgenommener Antriebswelle.  
---

## 4. Ansprüche: 20-24

Handwerkzeugmaschine nach Anspruch 1 mit scheibenförmigem Drehwerkzeug sowie Antriebswelle mit Auflageflansch mit Drehmitnahme für das Drehwerkzeug, sowie Schutzhaube für das Drehwerkzeug.  
---

## 5. Ansprüche: 25-27

Handwerkzeugmaschine nach Anspruch 1 mit als Mehrkant-Schneidrad ausgebildetem scheibenförmigen Drehwerkzeug, sowie gegen angefederten Schutzbügel austauschbarem Messerhalteblech.  
---

## INTERNATIONALER RECHERCHENBERICHT

Angaben zu Veröffentlichungen, die zur selben Patentfamilie gehören

Internationales Aktenzeichen

PCT/EP2007/060580

Im Recherchenbericht angeführtes Patentdokument	Datum der Veröffentlichung	Mitglied(er) der Patentfamilie	Datum der Veröffentlichung
DE 102004051913 A1	23-02-2006	EP 1778440 A1 WO 2006015909 A1 US 2007256914 A1	02-05-2007 16-02-2006 08-11-2007
DE 102004032788 A1	16-02-2006	KEINE	
DE 20321137 U1	12-01-2006	KEINE	
US 3906629 A	23-09-1975	CA 1020082 A1 DE 2550466 A1 FR 2290281 A1 GB 1493716 A HK 86979 A IT 1047428 B JP 51062481 A	01-11-1977 13-05-1976 04-06-1976 30-11-1977 28-12-1979 10-09-1980 31-05-1976
DE 102005001774 A1	27-07-2006	KEINE	
DE 102004038788 A1	23-02-2006	CN 101001723 A EP 1778444 A2 WO 2006015900 A2 US 2007120527 A1	18-07-2007 02-05-2007 16-02-2006 31-05-2007
US 2001029819 A1	18-10-2001	CN 1318456 A DE 10119061 A1 JP 3874990 B2 JP 2001300818 A	24-10-2001 15-11-2001 31-01-2007 30-10-2001
US 4976034 A	11-12-1990	KEINE	
US 4974475 A	04-12-1990	KEINE	
US 2003041717 A1	06-03-2003	KEINE	
DE 10330180 A1	27-01-2005	KEINE	
WO 2006021073 A	02-03-2006	CA 2471616 A1 US 2007227315 A1	23-09-2004 04-10-2007
US 5903815 A	11-05-1999	CA 2089433 A1	13-08-1993
DE 19815860 A1	22-10-1998	US 6012350 A	11-01-2000
US 6732606 B1	11-05-2004	BR 0103392 A CN 1329959 A EP 1167825 A2 JP 2002070988 A PL 348347 A1	09-04-2002 09-01-2002 02-01-2002 08-03-2002 02-01-2002
DE 19844501 A1	30-03-2000	KEINE	
DE 9208407 U1	21-10-1993	GB 2268112 A IT MI930515 U1	05-01-1994 24-12-1993
FR 2768355 A	19-03-1999	KEINE	
FR 2533474 A	30-03-1984	DE 3331661 A1	29-03-1984

## INTERNATIONALER RECHERCHENBERICHT

Angaben zu Veröffentlichungen, die zur selben Patentfamilie gehören

Internationales Aktenzeichen

PCT/EP2007/060580

Im Recherchenbericht angeführtes Patentdokument		Datum der Veröffentlichung	Mitglied(er) der Patentfamilie	Datum der Veröffentlichung
FR 2494620	A	28-05-1982	CH 654773 A5	14-03-1986
			JP 57156122 A	27-09-1982
			JP 2024576 Y2	05-07-1990
			JP 60120722 U	15-08-1985
DE 29501974	U1	05-06-1996	CN 1136491 A	27-11-1996
			GB 2297871 A	14-08-1996
			IT MI960144 A1	28-07-1997
DE 19737239	A1	11-03-1999	CN 1272974 A	08-11-2000
			WO 9910966 A1	04-03-1999
			EP 1008229 A1	14-06-2000
			JP 2002519980 T	02-07-2002
			US 6326710 B1	04-12-2001
US 2003181152	A1	25-09-2003	CN 1464817 A	31-12-2003
			WO 03002304 A1	09-01-2003
			DE 10131326 A1	16-01-2003
			EP 1404490 A1	07-04-2004
			JP 2004520958 T	15-07-2004
US 5373834	A	20-12-1994	AT 130238 T	15-12-1995
			AU 4044793 A	08-11-1993
			CA 2132195 A1	04-10-1993
			DE 69300824 D1	21-12-1995
			DE 69300824 T2	25-04-1996
			DK 633830 T3	18-12-1995
			EP 0633830 A1	18-01-1995
			ES 2079978 T3	16-01-1996
			HK 40997 A	11-04-1997
			JP 2829357 B2	25-11-1998
			JP 8501734 T	27-02-1996
			WO 9319907 A1	14-10-1993
			US 5303688 A	19-04-1994
			EP 1213107	A
CN 1357431 A	10-07-2002			
DE 10061559 A1	13-06-2002			
JP 2002233972 A	20-08-2002			
US 2002070037 A1	13-06-2002			
DE 20102020	U1	02-08-2001	KEINE	
DE 29605033	U1	14-08-1996	KEINE	
US 3670412	A	20-06-1972	KEINE	
DE 19704688	C1	06-08-1998	EP 0861710 A1	02-09-1998
SU 1768384	A1	15-10-1992	KEINE	
DE 2856866	A1	22-11-1979	SE 419306 B	27-07-1981
			SE 7714955 A	01-07-1979
US 1395150	A	25-10-1921	KEINE	