

(19) World Intellectual Property Organization
International Bureau



(43) International Publication Date
22 June 2006 (22.06.2006)

PCT

(10) International Publication Number
WO 2006/066239 A3

(51) International Patent Classification:
A61B 17/56 (2006.01)

(21) International Application Number:
PCT/US2005/046070

(22) International Filing Date:
19 December 2005 (19.12.2005)

(25) Filing Language: English

(26) Publication Language: English

(30) Priority Data:
11/016,418 17 December 2004 (17.12.2004) US

(71) Applicant (for all designated States except US):
ARTHROCARE CORPORATION [US/US]; 680
Vaqueros Avenue, Sunnyvale, California 94085 (US).

(72) Inventor; and

(75) Inventor/Applicant (for US only): ARRAMON, Yves, P.
[US/US]; 1063 Morse Avenue, Apt. 17-303, Sunnyvale,
California 94089 (US).

(74) Agents: BATT, Richard, R. et al.; ARTHROCARE COR-
PORATION, 680 Vaqueros Avenue, Sunnyvale, California
94085 (US).

(81) Designated States (unless otherwise indicated, for every
kind of national protection available): AE, AG, AL, AM,

AT, AU, AZ, BA, BB, BG, BR, BW, BY, BZ, CA, CH, CN,
CO, CR, CU, CZ, DE, DK, DM, DZ, EC, EE, EG, ES, FI,
GB, GD, GE, GH, GM, HR, HU, ID, IL, IN, IS, JP, KE,
KG, KM, KN, KP, KR, KZ, LC, LK, LR, LS, LT, LU, LV,
LY, MA, MD, MG, MK, MN, MW, MX, MZ, NA, NG, NI,
NO, NZ, OM, PG, PH, PL, PT, RO, RU, SC, SD, SE, SG,
SK, SL, SM, SY, TJ, TM, TN, TR, TT, TZ, UA, UG, US,
UZ, VC, VN, YU, ZA, ZM, ZW.

(84) Designated States (unless otherwise indicated, for every
kind of regional protection available): ARIPO (BW, GH,
GM, KE, LS, MW, MZ, NA, SD, SL, SZ, TZ, UG, ZM,
ZW), Eurasian (AM, AZ, BY, KG, KZ, MD, RU, TJ, TM),
European (AT, BE, BG, CH, CY, CZ, DE, DK, EE, ES, FI,
FR, GB, GR, HU, IE, IS, IT, LT, LU, LV, MC, NL, PL, PT,
RO, SE, SI, SK, TR), OAPI (BF, BJ, CF, CG, CI, CM, GA,
GN, GQ, GW, ML, MR, NE, SN, TD, TG).

Declaration under Rule 4.17:

— of inventorship (Rule 4.17(iv))

Published:

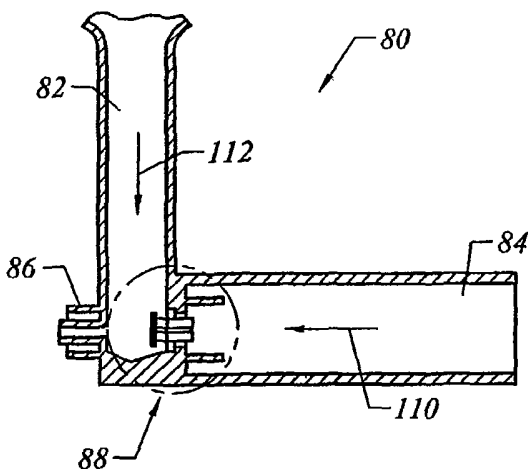
— with international search report

(88) Date of publication of the international search report:

7 December 2006

For two-letter codes and other abbreviations, refer to the "Guidance Notes on Codes and Abbreviations" appearing at the beginning of each regular issue of the PCT Gazette.

(54) Title: HIGH PRESSURE INJECTION SYSTEM FOR DELIVERING THERAPEUTIC AGENTS HAVING FLUID TIGHT CONNECTOR



(57) Abstract: Methods and systems are provided for the transfer of viscous therapeutic material from one chamber or device to another chamber or device in a fluidly sealed manner, wherein components of the system may be discrete or integrated. The system and methods provide for mixing and dispensing of therapeutic materials such as bone cement.

WO 2006/066239 A3

INTERNATIONAL SEARCH REPORT

International application No.

PCT/US05/46070

A. CLASSIFICATION OF SUBJECT MATTER
 IPC: A61B 17/56(2006.01)

USPC: 606/92;366/189,192;137/515.5
 According to International Patent Classification (IPC) or to both national classification and IPC

B. FIELDS SEARCHED

Minimum documentation searched (classification system followed by classification symbols)
 U.S. : 606/92; 366/139, 189, 192; 137/515.5

Documentation searched other than minimum documentation to the extent that such documents are included in the fields searched

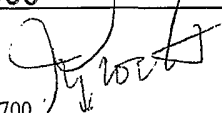
Electronic data base consulted during the international search (name of data base and, where practicable, search terms used)
 EAST search: vertebroplasty

C. DOCUMENTS CONSIDERED TO BE RELEVANT

| Category * | Citation of document, with indication, where appropriate, of the relevant passages | Relevant to claim No. |
|------------|--|-----------------------|
| X | US 2002/0156483 A1 (VOELLMICKE et al.) 24 October 2002 (24.10.2002), entire reference. | 1-26 |
| X | US 1,128,092 A (BARRETT) 09 February 1915 (09.02.1915), entire reference. | 27-29 |
| A | US 6,783,515 B1 (MILLER et al.) 31 August 2004 (31.08.2004), Fig. 1. | 1-29 |

Further documents are listed in the continuation of Box C. See patent family annex.

| * Special categories of cited documents: | |
|---|--|
| "A" document defining the general state of the art which is not considered to be of particular relevance | "T" later document published after the international filing date or priority date and not in conflict with the application but cited to understand the principle or theory underlying the invention |
| "E" earlier application or patent published on or after the international filing date | "X" document of particular relevance; the claimed invention cannot be considered novel or cannot be considered to involve an inventive step when the document is taken alone |
| "L" document which may throw doubts on priority claim(s) or which is cited to establish the publication date of another citation or other special reason (as specified) | "Y" document of particular relevance; the claimed invention cannot be considered to involve an inventive step when the document is combined with one or more other such documents, such combination being obvious to a person skilled in the art |
| "O" document referring to an oral disclosure, use, exhibition or other means | "&" document member of the same patent family |
| "P" document published prior to the international filing date but later than the priority date claimed | |

| | |
|---|---|
| Date of the actual completion of the international search 02 August 2006 (02.08.2006) | Date of mailing of the international search report 07 SEP 2006 |
| Name and mailing address of the ISA/US Mail Stop PCT, Attn: ISA/US Commissioner for Patents P.O. Box 1450 Alexandria, Virginia 22313-1450 Facsimile No. (571) 273-3201 | Authorized officer David L. Sorkin Telephone No. 571-272-1700  |