



US00D738243S

(12) **United States Design Patent**
Selberg et al.

(10) **Patent No.:** **US D738,243 S**

(45) **Date of Patent:** **** Sep. 8, 2015**

(54) **FLOW CYTOMETER HOUSING**

(71) Applicant: **LIFE TECHNOLOGIES CORPORATION**, Carlsbad, CA (US)

(72) Inventors: **Saul Selberg**, Eugene, OR (US); **Sandro Klein**, Irvine, CA (US); **Ronald Parmenter**, Corvallis, OR (US); **Wesley Smith**, Junction City, OR (US)

(73) Assignee: **Life Technologies Corporation**, Carlsbad, CA (US)

(**) Term: **14 Years**

(21) Appl. No.: **29/481,232**

(22) Filed: **Feb. 3, 2014**

(51) **LOC (10) Cl.** **10-04**

(52) **U.S. Cl.** **D10/81**; D10/97; D24/232
USPC

(58) **Field of Classification Search**
USPC D10/81, 97, 103; D24/185, 186, D24/232-234

CPC ... A61K 9/0019; A61K 31/7032; A61M 1/14; B01L 3/502715; B01L 3/5027; B01L 3/50273; B01L 3/502738; B01L 3/502746; B01L 3/502753; B01L 3/502776; B01L 3/502761; B01L 2300/0654; B01L 2300/0816; B01L 2400/0406

See application file for complete search history.

(56) **References Cited**

U.S. PATENT DOCUMENTS

D357,199 S * 4/1995 Peltola D10/97
D552,500 S * 10/2007 Forslund D10/97

D601,051 S * 9/2009 Coumans et al. D10/97
D651,106 S * 12/2011 Bradford et al. D10/97
2011/0076755 A1 * 3/2011 Ebi et al. 435/287.3
2011/0176934 A1 * 7/2011 Ebi et al. 417/44.1
2011/0300618 A1 * 12/2011 Lieblein et al. 435/287.1

* cited by examiner

Primary Examiner — Antoine D Davis

(74) *Attorney, Agent, or Firm* — Life Technologies Corporation

(57) **CLAIM**

The ornamental design for a flow cytometer housing, as shown and described.

DESCRIPTION

FIG. 1 is a perspective view of a first embodiment of a flow cytometer housing of our new design.

FIG. 2 is a front view of a first embodiment of a flow cytometer housing of our new design.

FIG. 3 is a rear view of a first embodiment of a flow cytometer housing of our new design.

FIG. 4 is a right side view of a first embodiment of a flow cytometer housing of our new design.

FIG. 5 is a left side view of a first embodiment of a flow cytometer housing of our new design.

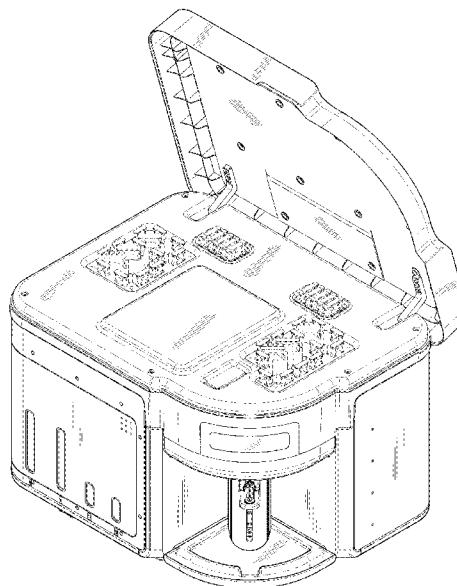
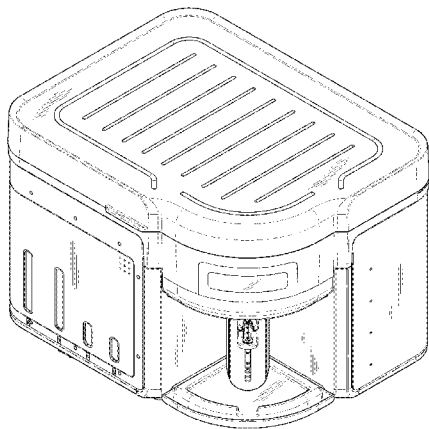
FIG. 6 is a top view of a first embodiment of a flow cytometer housing of our new design.

FIG. 7 is a bottom view of a first embodiment of a flow cytometer housing of our new design; and,

FIG. 8 is an open lid perspective view of a first embodiment of a flow cytometer housing of our new design.

The portions of the features depicted in broken lines are not part of the claimed design.

1 Claim, 8 Drawing Sheets



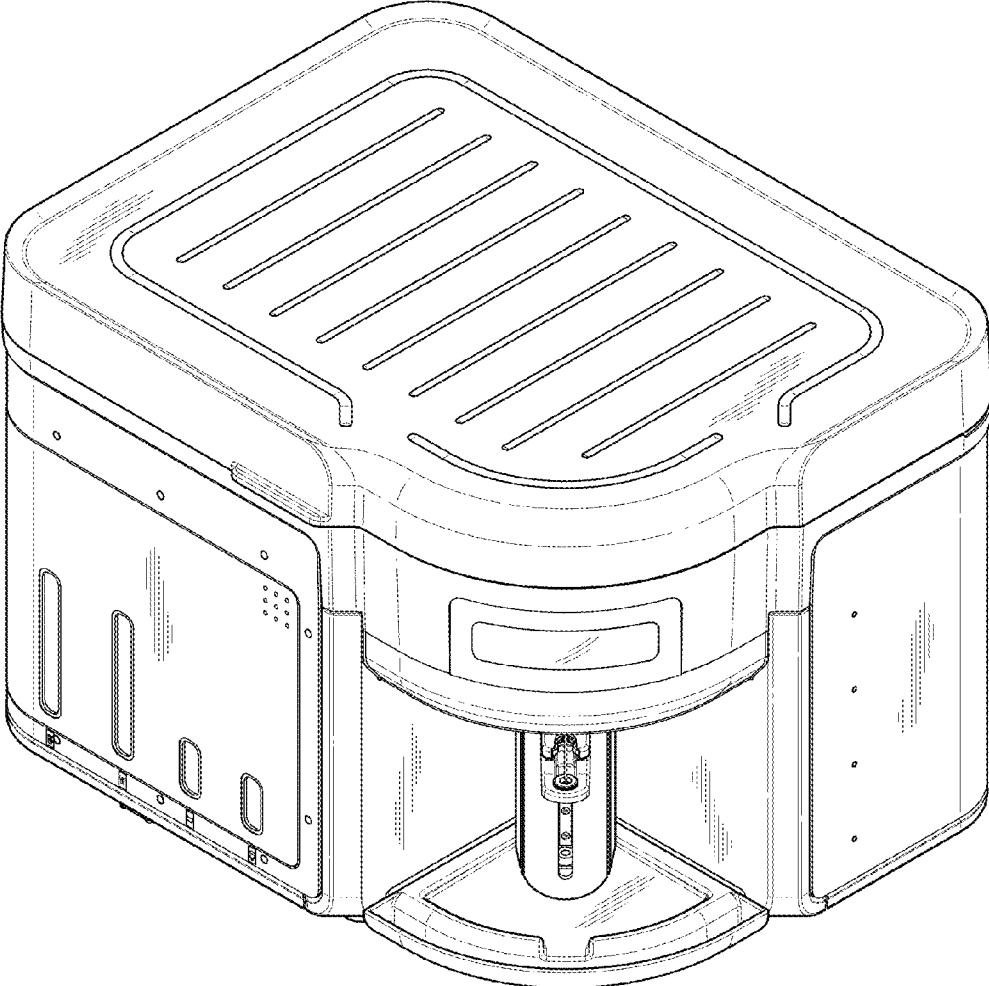


FIG. 1

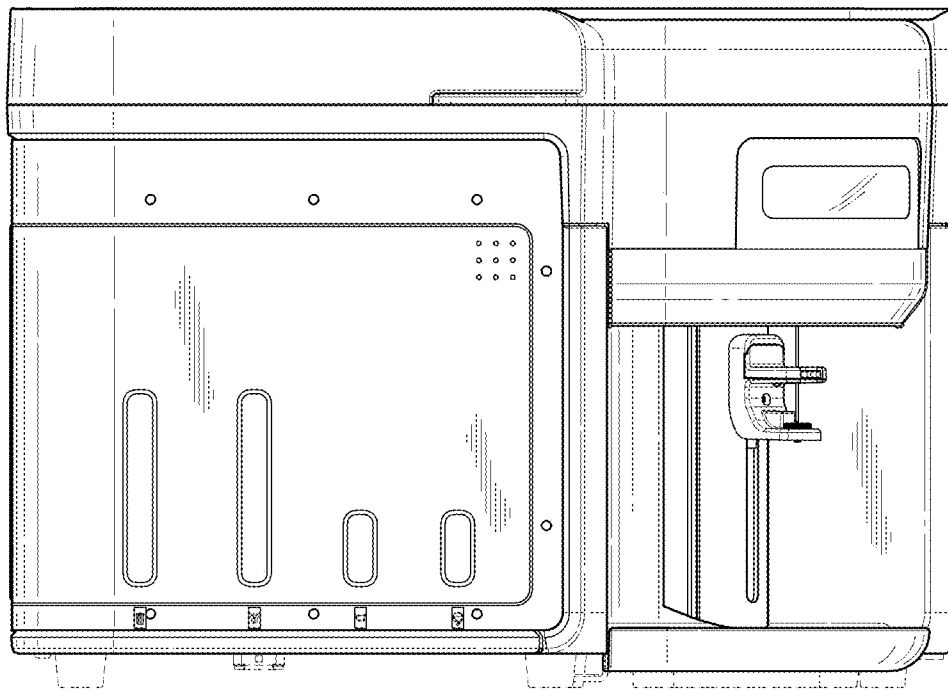


FIG. 2

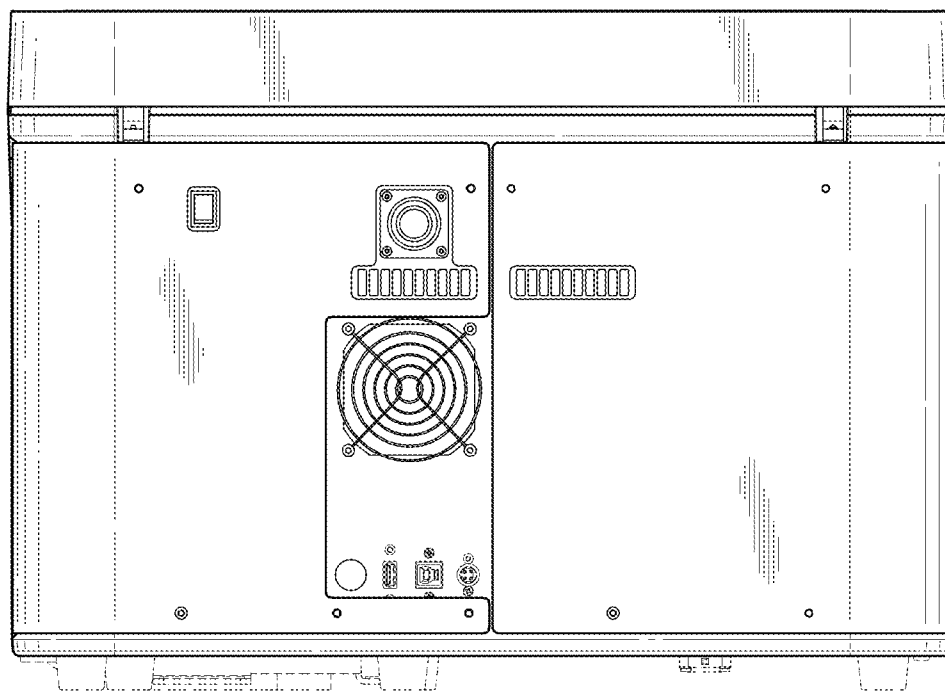


FIG. 3

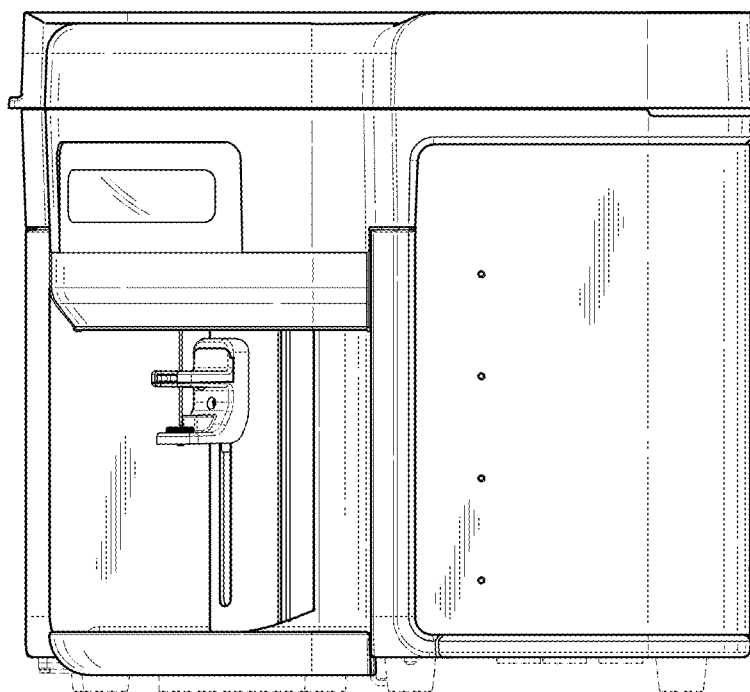


FIG. 4

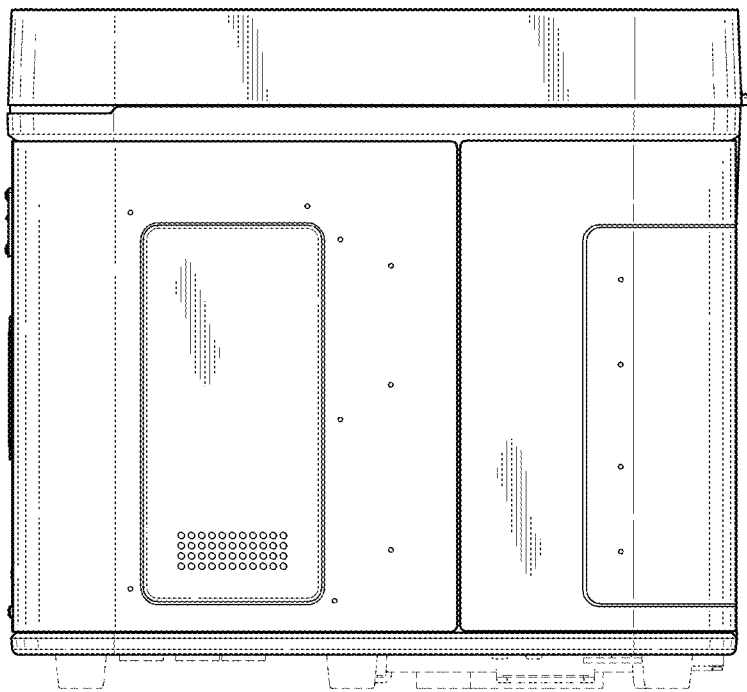


FIG. 5

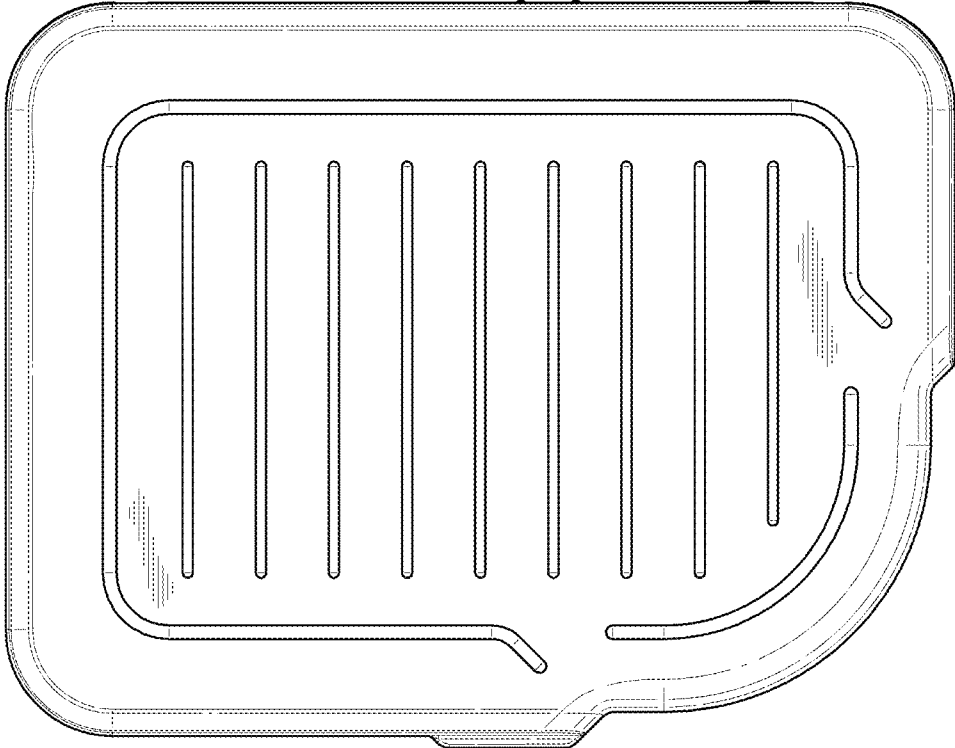


FIG. 6

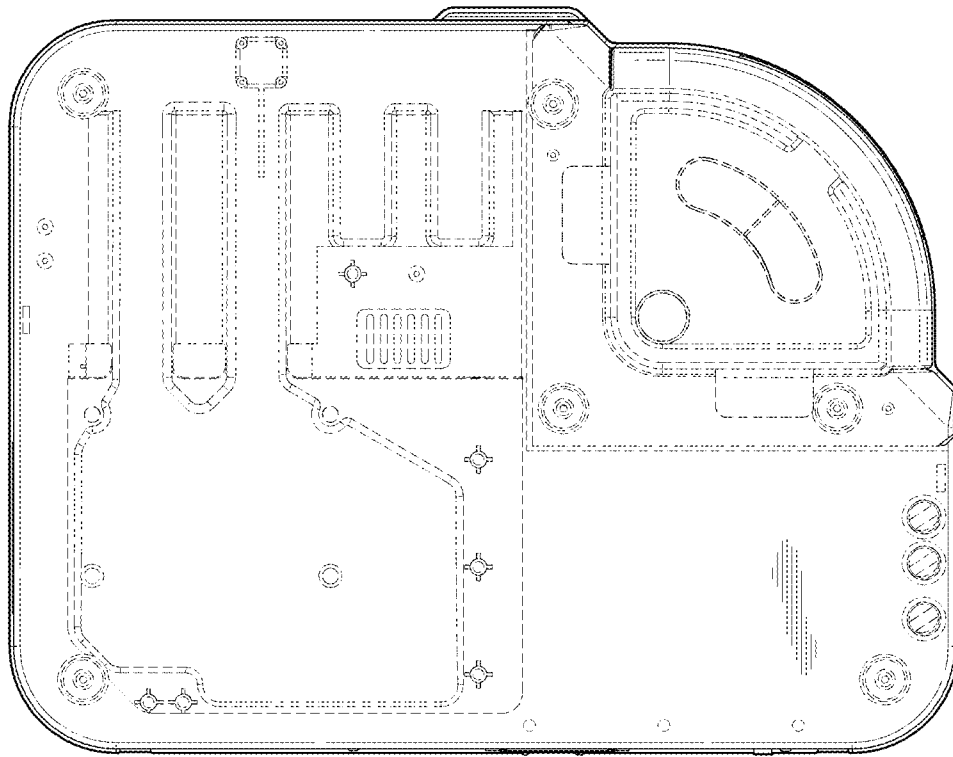


FIG. 7

