

(19) World Intellectual Property Organization  
International Bureau



(43) International Publication Date  
15 November 2007 (15.11.2007)

PCT

(10) International Publication Number  
WO 2007/128470 A3

- (51) International Patent Classification:  
A61N 1/00 (2006.01)
- (21) International Application Number:  
PCT/EP2007/003855
- (22) International Filing Date: 2 May 2007 (02.05.2007)
- (25) Filing Language: English
- (26) Publication Language: English
- (30) Priority Data:  
06113442.5 3 May 2006 (03.05.2006) EP
- (71) Applicants and
- (72) Inventors: ABRAHAMSSON, Hasse [SE/SE]; Krabbenhällén 5, S-430 094 Bohus-Björkö (SE). LÖNROTH, Hans [SE/SE]; Södra Dalbergavägen 18, S-429 33 Kullavik (SE).
- (74) Agent: AWAPATENT AB; P.O. Box 11394, S-404 28 Göteborg (SE).
- (81) Designated States (unless otherwise indicated, for every kind of national protection available): AE, AG, AL, AM,

AT, AU, AZ, BA, BB, BG, BH, BR, BW, BY, BZ, CA, CH, CN, CO, CR, CU, CZ, DE, DK, DM, DZ, EC, EE, EG, ES, FI, GB, GD, GE, GH, GM, GT, HN, HR, HU, ID, IL, IN, IS, JP, KE, KG, KM, KN, KP, KR, KZ, LA, LC, LK, LR, LS, LT, LU, LY, MA, MD, MG, MK, MN, MW, MX, MY, MZ, NA, NG, NI, NO, NZ, OM, PG, PH, PL, PT, RO, RS, RU, SC, SD, SE, SG, SK, SL, SM, SV, SY, TJ, TM, TN, TR, TT, TZ, UA, UG, US, UZ, VC, VN, ZA, ZM, ZW.

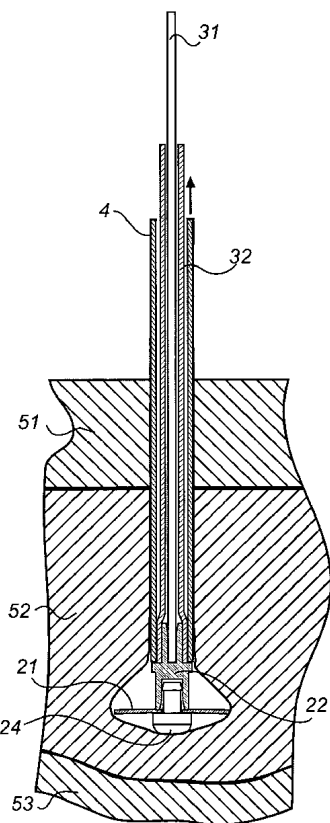
(84) Designated States (unless otherwise indicated, for every kind of regional protection available): ARIPO (BW, GH, GM, KE, LS, MW, MZ, NA, SD, SL, SZ, TZ, UG, ZM, ZW), Eurasian (AM, AZ, BY, KG, KZ, MD, RU, TJ, TM), European (AT, BE, BG, CH, CY, CZ, DE, DK, EE, ES, FI, FR, GB, GR, HU, IE, IS, IT, LT, LU, LV, MC, MT, NL, PL, PT, RO, SE, SI, SK, TR), OAPI (BF, BJ, CF, CG, CI, CM, GA, GN, GQ, GW, ML, MR, NE, SN, TD, TG).

**Published:**

- with international search report
- before the expiration of the time limit for amending the claims and to be republished in the event of receipt of amendments

[Continued on next page]

(54) Title: ELECTRODE FOR IMPLANTATION IN A LIVING ORGAN AND A METHOD FOR IMPLANTING THE ELECTRODE



(57) Abstract: A gastrointestinal electrode device is disclosed, comprising an electrode head intended to be implanted in a stomach wall for emission or reception of electrical signals and a flexible cable with an outer isolation layer. The flexible cable is connected to the electrode head for forwarding the electric signals to an external side of the electrode device. The electrode head comprises flexible expandable retention means and at least one electrode contact area arranged to cover at least a part of the outer electrode head area. Further the expandable retention means are automatically expandable from an condition of insertion into an expanded condition for opposing retraction of the electrode via the aperture of insertion, thus making the electrode attachable to the living organ. The electrode head further comprises an abutment area and the electrode device further comprises a relatively rigid introduction part, arranged to engage with the abutment area of the electrode head for percutaneous introduction of the catheter into a stomach wall into a stomach wall via an aperture, wherein the introduction part is releasable from the electrode head after insertion, whereby the electrode head remains implanted in the stomach wall.

WO 2007/128470 A3



**(88) Date of publication of the international search report:**

3 January 2008

*For two-letter codes and other abbreviations, refer to the "Guidance Notes on Codes and Abbreviations" appearing at the beginning of each regular issue of the PCT Gazette.*

A. CLASSIFICATION OF SUBJECT MATTER  
INV. A61N1/00

According to International Patent Classification (IPC) or to both national classification and IPC

B. FIELDS SEARCHED

Minimum documentation searched (classification system followed by classification symbols)  
A61N

Documentation searched other than minimum documentation to the extent that such documents are included in the fields searched

Electronic data base consulted during the international search (name of data base and, where practical, search terms used)

EPO-Internal, WPI Data, PAJ

C. DOCUMENTS CONSIDERED TO BE RELEVANT

Category*	Citation of document, with indication, where appropriate, of the relevant passages	Relevant to claim No.
X	US 2004/243195 A1 (IMRAN MIR A ET AL) 2 December 2004 (2004-12-02) abstract; figures 1,10,11,27,28 paragraphs [0015], [0017], [0018], [0065], [0075], [0076], [0091] - [0094]	1-10
Y	-----	11-13
Y	US 2004/162595 A1 (FOLEY STEPHEN T) 19 August 2004 (2004-08-19) abstract; figure 2 paragraphs [0038], [0039], [0063], [0064]	11,12
Y	----- US 2002/103522 A1 (SWOYER JOHN M [US] ET AL) 1 August 2002 (2002-08-01) abstract; figures 1-3 paragraphs [0050] - [0058] ----- -/--	13

Further documents are listed in the continuation of Box C.

See patent family annex.

\* Special categories of cited documents:

\*A\* document defining the general state of the art which is not considered to be of particular relevance

\*E\* earlier document but published on or after the international filing date

\*L\* document which may throw doubts on priority claim(s) or which is cited to establish the publication date of another citation or other special reason (as specified)

\*O\* document referring to an oral disclosure, use, exhibition or other means

\*P\* document published prior to the international filing date but later than the priority date claimed

\*T\* later document published after the international filing date or priority date and not in conflict with the application but cited to understand the principle or theory underlying the invention

\*X\* document of particular relevance; the claimed invention cannot be considered novel or cannot be considered to involve an inventive step when the document is taken alone

\*Y\* document of particular relevance; the claimed invention cannot be considered to involve an inventive step when the document is combined with one or more other such documents, such combination being obvious to a person skilled in the art.

\*&\* document member of the same patent family

Date of the actual completion of the international search

15 October 2007

Date of mailing of the international search report

29/10/2007

Name and mailing address of the ISA/

European Patent Office, P.B. 5818 Patentlaan 2  
NL - 2280 HV Rijswijk  
Tel. (+31-70) 340-2040, Tx. 31 651 epo nl,  
Fax: (+31-70) 340-3016

Authorized officer

Pereda Cubián, David

## C(Continuation). DOCUMENTS CONSIDERED TO BE RELEVANT

Category*	Citation of document, with indication, where appropriate, of the relevant passages	Relevant to claim No.
A	WO 99/44675 A (A+ SCIENCE INVEST AB; LOENROTH, HANS) 10 September 1999 (1999-09-10) cited in the application the whole document -----	1-12

**Box II Observations where certain claims were found unsearchable (Continuation of item 2 of first sheet)**

This International Search Report has not been established in respect of certain claims under Article 17(2)(a) for the following reasons:

1.  Claims Nos.: 14  
because they relate to subject matter not required to be searched by this Authority, namely:  
Rule 39.1(iv) PCT - Method for treatment of the human or animal body by surgery  
Rule 39.1(iv) PCT - Method for treatment of the human or animal body by therapy  
Rule 39.1(iv) PCT - Diagnostic method practised on the human or animal body
2.  Claims Nos.:  
because they relate to parts of the International Application that do not comply with the prescribed requirements to such an extent that no meaningful International Search can be carried out, specifically:
3.  Claims Nos.:  
because they are dependent claims and are not drafted in accordance with the second and third sentences of Rule 6.4(a).

**Box III Observations where unity of invention is lacking (Continuation of item 3 of first sheet)**

This International Searching Authority found multiple inventions in this international application, as follows:

1.  As all required additional search fees were timely paid by the applicant, this International Search Report covers all searchable claims.
2.  As all searchable claims could be searched without effort justifying an additional fee, this Authority did not invite payment of any additional fee.
3.  As only some of the required additional search fees were timely paid by the applicant, this International Search Report covers only those claims for which fees were paid, specifically claims Nos.:
4.  No required additional search fees were timely paid by the applicant. Consequently, this International Search Report is restricted to the invention first mentioned in the claims; it is covered by claims Nos.:

**Remark on Protest**

- The additional search fees were accompanied by the applicant's protest.
- No protest accompanied the payment of additional search fees.

Patent document cited in search report		Publication date	Patent family member(s)	Publication date
US 2004243195	A1	02-12-2004	US 2006116735 A1	01-06-2006
			US 2005143760 A1	30-06-2005
			US 2005143784 A1	30-06-2005
			WO 2006055388 A2	26-05-2006
US 2004162595	A1	19-08-2004	US 2002072780 A1	13-06-2002
US 2002103522	A1	01-08-2002	NONE	
WO 9944675	A	10-09-1999	AU 2752099 A	20-09-1999