



US0D1017604S

(12) **United States Design Patent**
Mohammad

(10) **Patent No.:** **US D1,017,604 S**
(45) **Date of Patent:** **** Mar. 12, 2024**

(54) **COMPUTER KEYBOARD**

FOREIGN PATENT DOCUMENTS

(71) Applicant: **Glorious LLC**, Austin, TX (US)

CN 306479266 * 4/2021

(72) Inventor: **Shazim Mohammad**, Fairview, TX (US)

OTHER PUBLICATIONS

(73) Assignee: **Glorious LLC**, Austin, TX (US)

75% keyboard with Rotary Encoder, posted Oct. 26, 2020 [online], [retrieved Jun. 9, 2023]. Retrieved from internet, <https://geekhack.org/index.php?topic=109282.0> (Year: 2020).*

(**) Term: **15 Years**

(Continued)

(21) Appl. No.: **29/803,643**

Primary Examiner — Marie D. Fast Horse

(22) Filed: **Aug. 13, 2021**

Assistant Examiner — Josiah D. Parsons

(51) **LOC (14) Cl.** **14-02**

(74) *Attorney, Agent, or Firm* — Scale LLP

(52) **U.S. Cl.**

USPC **D14/392**

(58) **Field of Classification Search**

(57) **CLAIM**

USPC D14/299, 300, 331, 338, 356, 388, 390,
D14/391, 392, 393, 394, 395, 396, 397,
D14/398, 399, 400, 401, 454, 455, 456,
D14/457; D18/1, 2, 7, 12.2, 52
CPC G06F 3/02; G06F 3/0202; G06F 3/0208;
G06F 3/0213; G06F 3/0216; G06F
3/0219; G06F 3/0221; G06F 3/0231;
G06F 1/1662; G06F 1/1666; G06F
1/1669; H01H 13/70; H01H 13/705;
H01H 13/83; H01H 13/84; H01H 13/86;
H01H 2223/052; H01H 2223/04

The ornamental design for a computer keyboard, as shown and described.

See application file for complete search history.

DESCRIPTION

(56) **References Cited**

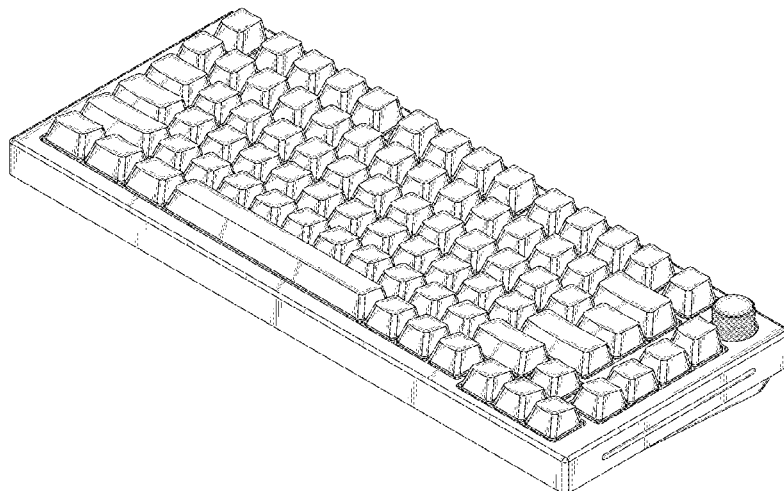
U.S. PATENT DOCUMENTS

D526,319 S * 8/2006 Ohno D14/391
D676,048 S * 2/2013 McManigal D14/392
D716,810 S * 11/2014 Fujita D14/392
D812,056 S * 3/2018 Guermeur D14/392
D813,236 S * 3/2018 Fine D14/392
D881,190 S * 4/2020 Tong D14/392
D958,790 S * 7/2022 Qiu D14/391
D973,659 S * 12/2022 Tong D14/392
D974,362 S * 1/2023 Li D14/392
D975,712 S * 1/2023 Zhao D14/392

FIG. 1 is a perspective view of a computer keyboard;
FIG. 2 is a rear perspective view of the computer keyboard of FIG. 1;
FIG. 3 is a top plan view of the computer keyboard of FIG. 1;
FIG. 4 is a bottom plan view of the computer keyboard of FIG. 1;
FIG. 5 is a right-side plan view of the computer keyboard of FIG. 1;
FIG. 6 is left-side plan view of the computer keyboard of FIG. 1;
FIG. 7 is a front plan view of the computer keyboard of FIG. 1; and,
FIG. 8 is a rear plan view of the computer keyboard of FIG. 1.

The broken lines in FIGS. 2-6 and 8 depict portions of the computer keyboard that form no part of the claimed design.

1 Claim, 8 Drawing Sheets



(56)

References Cited

U.S. PATENT DOCUMENTS

D997,167 S * 8/2023 Wu D14/392
D997,168 S * 8/2023 Wu D14/392
D997,169 S * 8/2023 Wu D14/392
D999,211 S * 9/2023 Nisperos D14/392
2005/0204899 A1 * 9/2005 Cheng G06F 3/0238
84/464 A
2010/0073855 A1 * 3/2010 Liang G06F 3/0219
361/679.08
2021/0191022 A1 * 6/2021 Lu H01H 13/83

OTHER PUBLICATIONS

Keydous NJ80-AP Wireless Mechanical Keyboard with Knob, posted Dec. 8, 2021 [online], [retrieved Jun. 9, 2023]. Retrieved from internet, <https://www.amazon.com/dp/B09WTT44L5?th=1> (Year: 2021).*

Introducing the GMMK Pro, posted Nov. 4, 2020 [online], [retrieved Jun. 9, 2023]. Retrieved from internet, <https://www.gloriousgaming.com/blogs/news/introducing-gmmk-pro?page=3> (Year: 2020).*

Monsgeek M1 Review, A New Challenger Enters The Field!, posted Dec. 14, 2022 [online], [retrieved Nov. 27, 2023]. Retrieved from internet, <https://www.youtube.com/watch?v=W-624633HA4> (Year: 2022).*

* cited by examiner

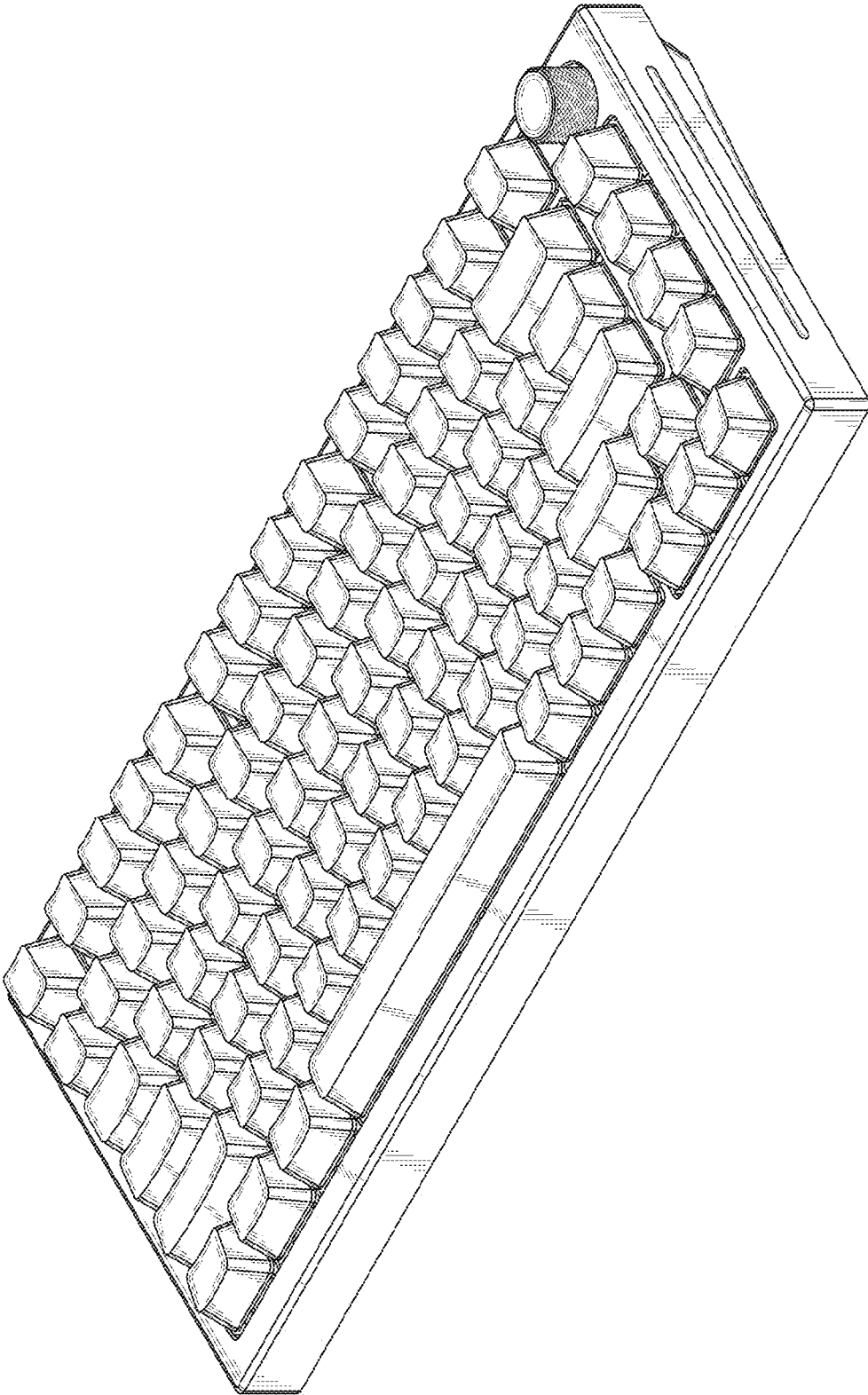


FIG. 1

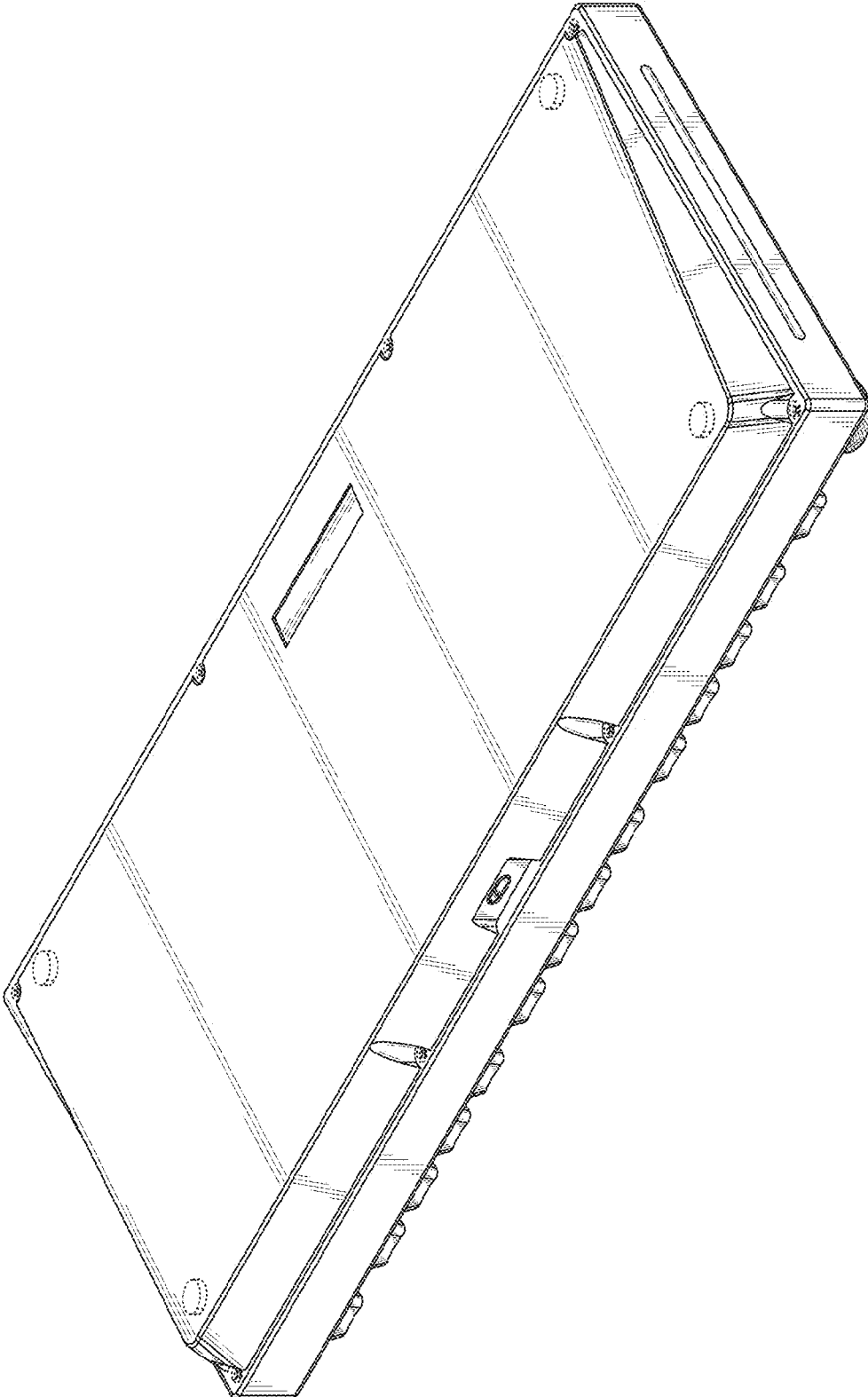


FIG. 2

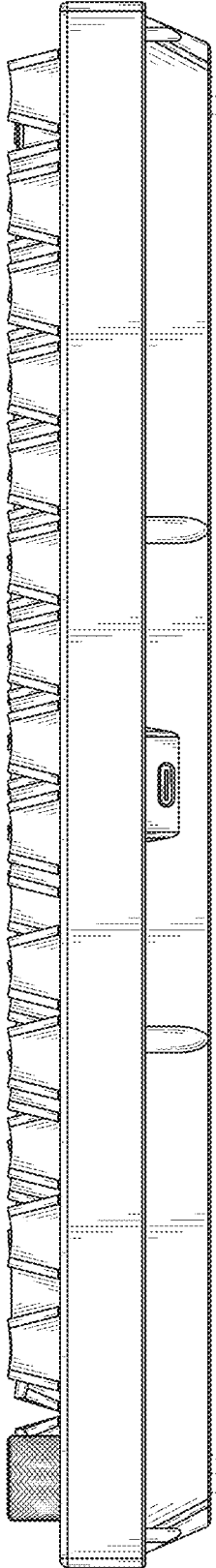


FIG. 3

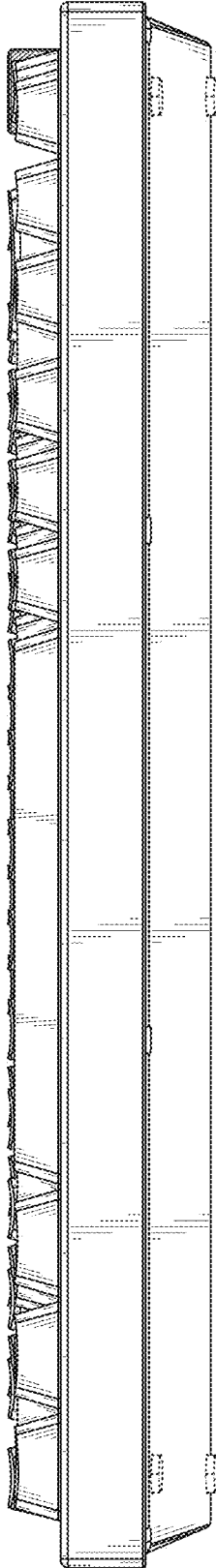


FIG. 4

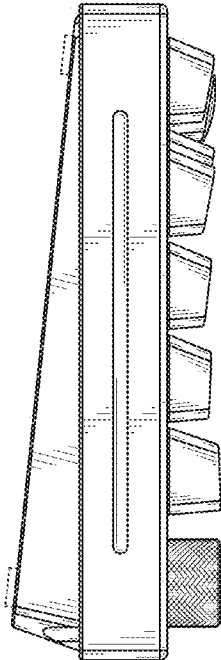


FIG. 5

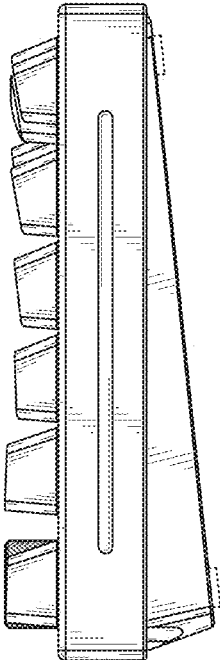


FIG. 6

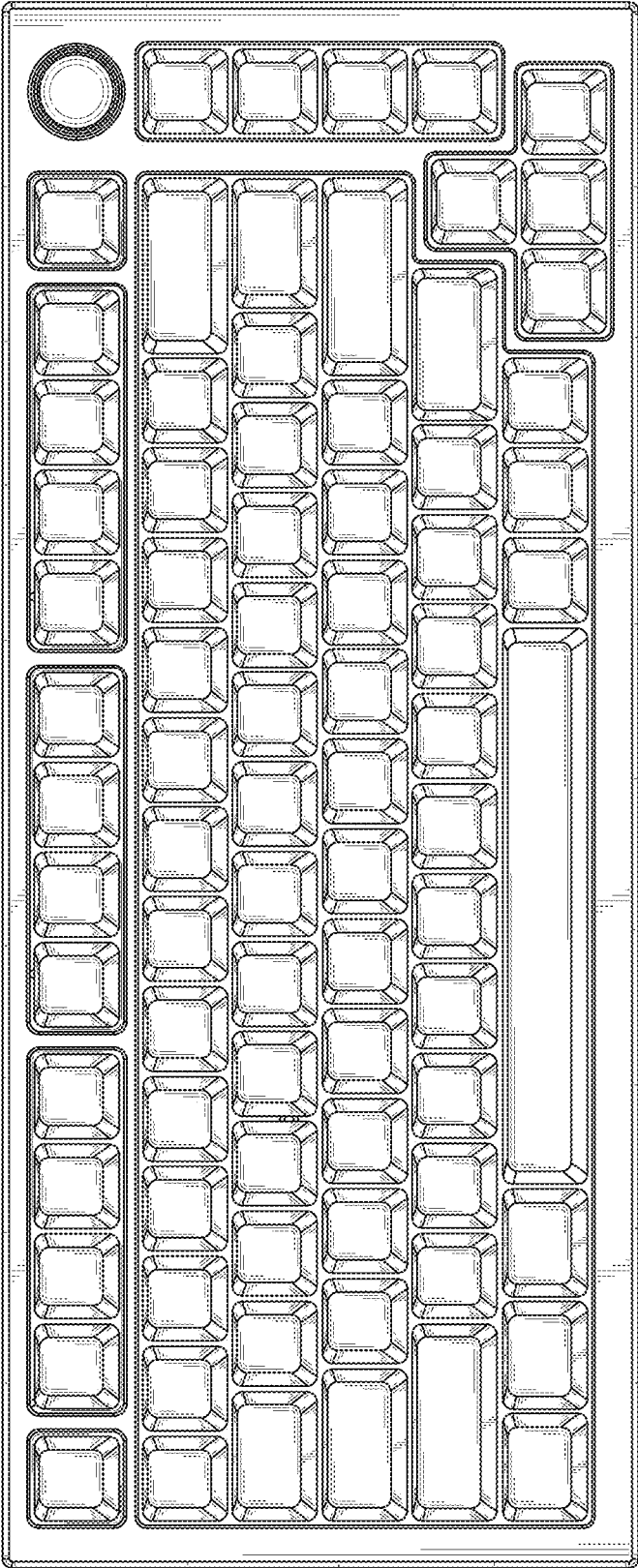


FIG. 7

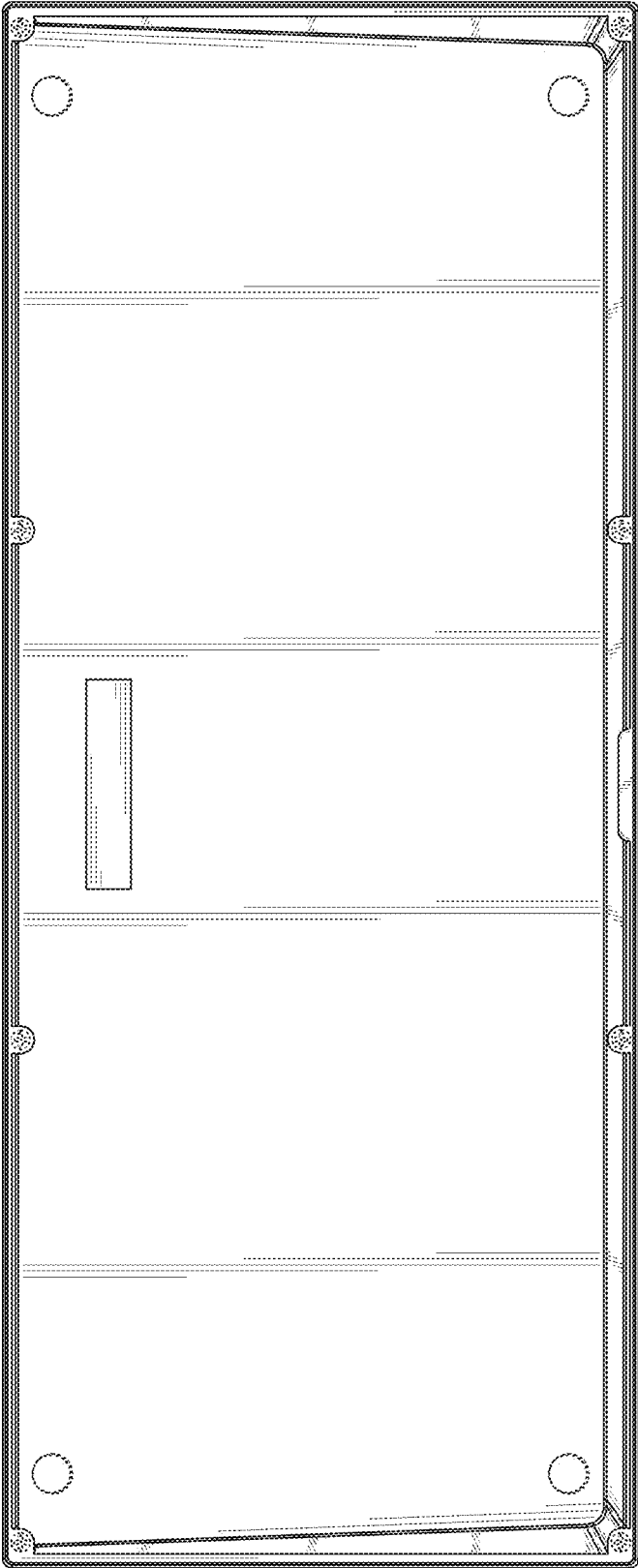


FIG. 8