



US0D1066247S

(12) **United States Design Patent**
Li

(10) **Patent No.:** **US D1,066,247 S**

(45) **Date of Patent:** **** Mar. 11, 2025**

(54) **WIRELESS CHARGER**

(71) Applicant: **Shenzhen Mgctech Co., Ltd.**,
Guangdong (CN)

(72) Inventor: **Jiedan Li**, Hunan (CN)

(**) Term: **15 Years**

(21) Appl. No.: **29/975,307**

(22) Filed: **Nov. 27, 2024**

(30) **Foreign Application Priority Data**

Nov. 7, 2024 (CN) 202430705386.0

(51) **LOC (15) CI.** **13-02**

(52) **U.S. CI.**
USPC **D13/108**; D13/107

(58) **Field of Classification Search**
USPC D13/107-108, 183; D14/209.1, 216, 253,
D14/314, 434, 447

CPC H02J 7/00; H02J 7/0044; H02J 50/005;
H02J 50/10; H02J 50/40; H02J 50/90;
H02K 11/0094; E21B 21/08; E21B 47/06;
E21B 47/07; E21B 47/26; E21B 47/138;
H04R 1/028; H04R 1/24

See application file for complete search history.

(56) **References Cited**

U.S. PATENT DOCUMENTS

| | | | | | |
|--------------|---|---------|--------|-------|---------|
| D701,831 S | * | 4/2014 | Park | | D13/108 |
| D868,770 S | * | 12/2019 | Hohman | | D14/253 |
| D875,675 S | * | 2/2020 | Zhang | | D13/108 |
| D901,380 S | * | 11/2020 | Tsai | | D13/108 |
| D904,326 S | * | 12/2020 | Zhang | | D13/183 |
| D936,661 S | * | 11/2021 | Lee | | D14/447 |
| D999,729 S | * | 9/2023 | Wang | | D13/108 |
| D1,016,039 S | * | 2/2024 | Han | | D14/216 |
| D1,023,947 S | * | 4/2024 | Shang | | D13/108 |
| D1,025,887 S | * | 5/2024 | Wu | | D13/107 |
| D1,044,716 S | | 10/2024 | Xu | | |

| | | | | | |
|-----------------|---|---------|---------|-------|------------|
| D1,053,131 S | * | 12/2024 | Zheng | | D13/108 |
| 2017/0350241 A1 | * | 12/2017 | Shi | | E21B 21/08 |
| 2021/0028636 A1 | * | 1/2021 | Kleeman | | H04R 1/24 |

FOREIGN PATENT DOCUMENTS

| | | | | | |
|----|----------------|---|---------|-------|-------------|
| CN | 220775447 U | * | 4/2024 | | H02J 50/005 |
| CN | 221263433 U | * | 7/2024 | | |
| EM | 015080234-0001 | * | 11/2024 | | |

OTHER PUBLICATIONS

Ego, date referenced: Oct. 12, 2023, data retrieved by Bryan Melvin on Dec. 12, 2024 at: <https://www.egoshop.co/en/products/ego-magq> (Year: 2023).*

Verge, date referenced: Jan. 8, 2024, data retrieved by Bryan Melvin on Dec. 12, 2024 at: <https://www.theverge.com/24027019/anker-q12-hands-on-magsafe-speed> (Year: 2024).*

* cited by examiner

Primary Examiner — Rhea Shields
Assistant Examiner — Bryan N. Melvin

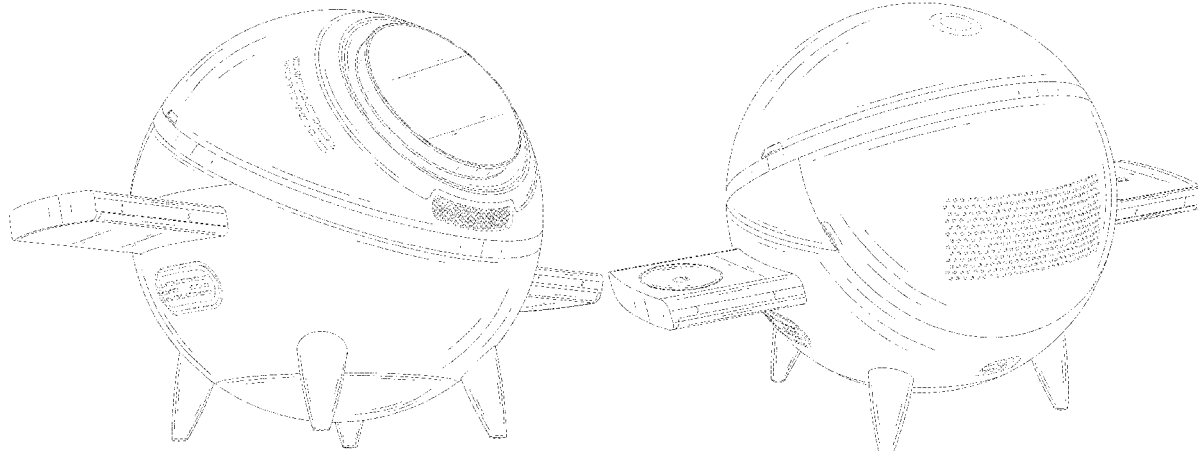
(57) **CLAIM**

The ornamental design for a wireless charger as shown and described.

DESCRIPTION

FIG. 1 is a perspective view of a wireless charger showing my new design;
FIG. 2 is another perspective view thereof;
FIG. 3 is a front view thereof;
FIG. 4 is a back view thereof;
FIG. 5 is a left view thereof;
FIG. 6 is a right view thereof;
FIG. 7 is a top plan view thereof;
FIG. 8 is a bottom plan view thereof; and,
FIG. 9 is a perspective view of a wireless charger showing my new design, in a closed state.
The broken lines depict portions of the wireless charger and form no part of the claimed design.

1 Claim, 9 Drawing Sheets



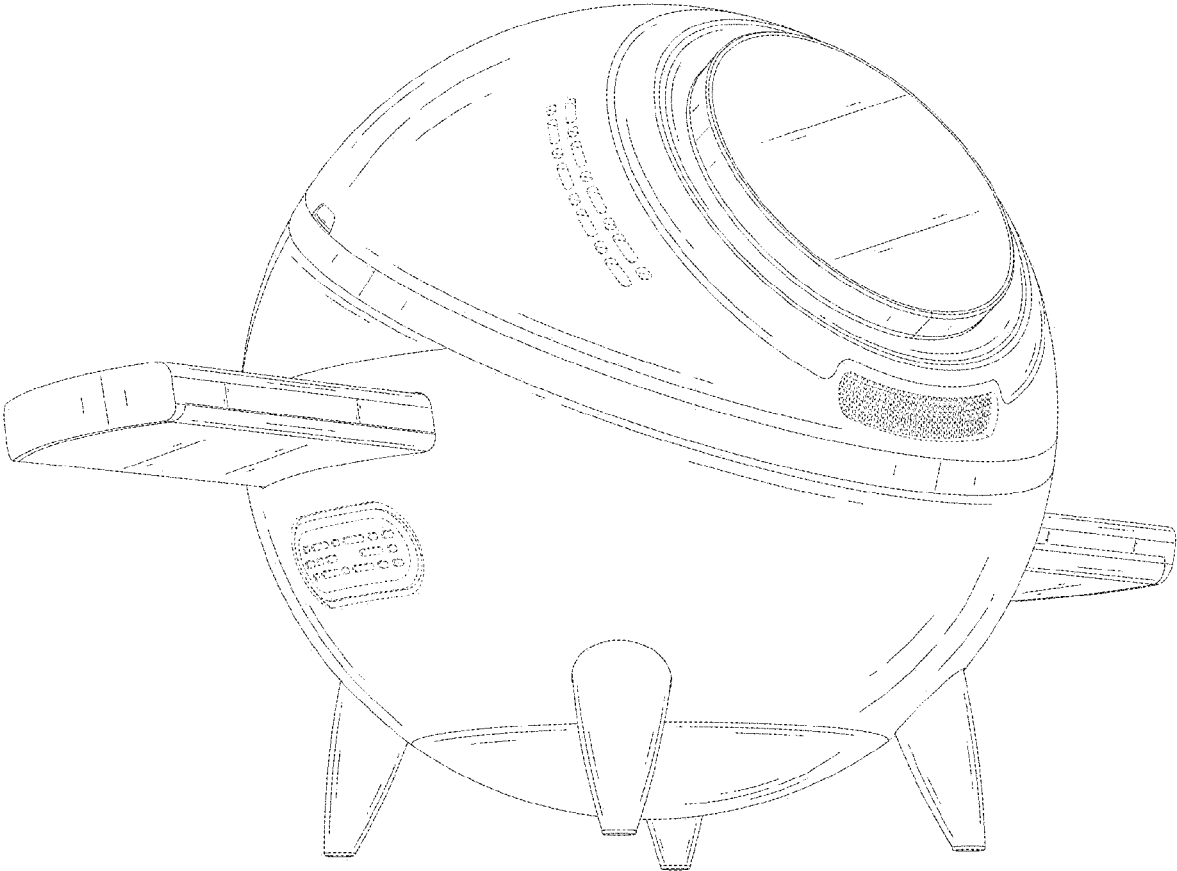


FIG.1

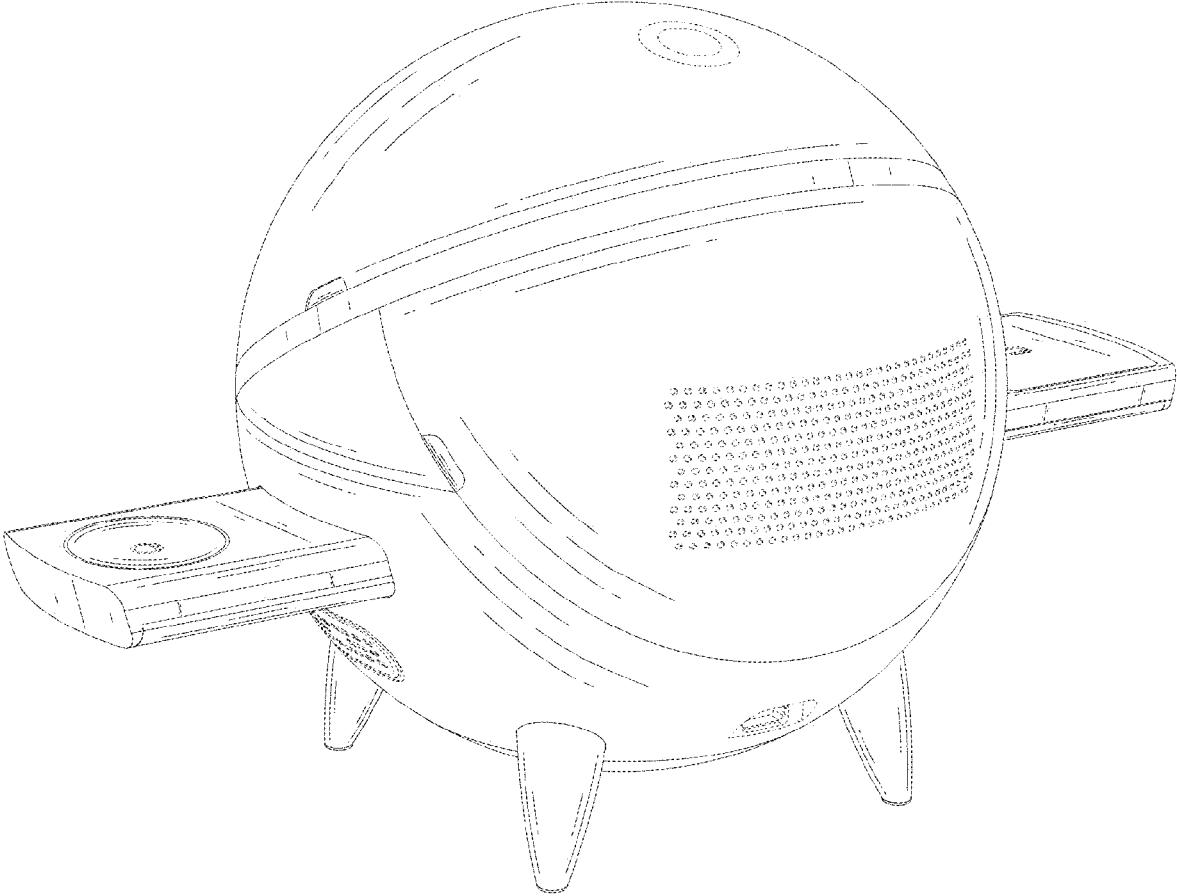


FIG.2

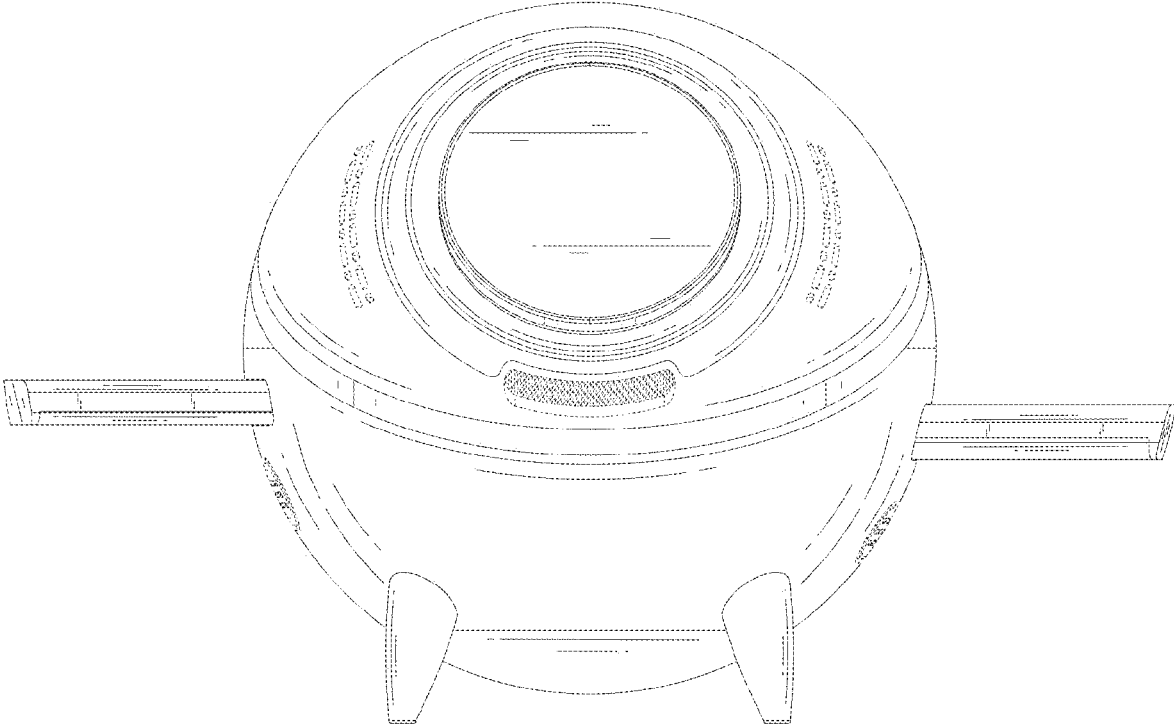


FIG.3

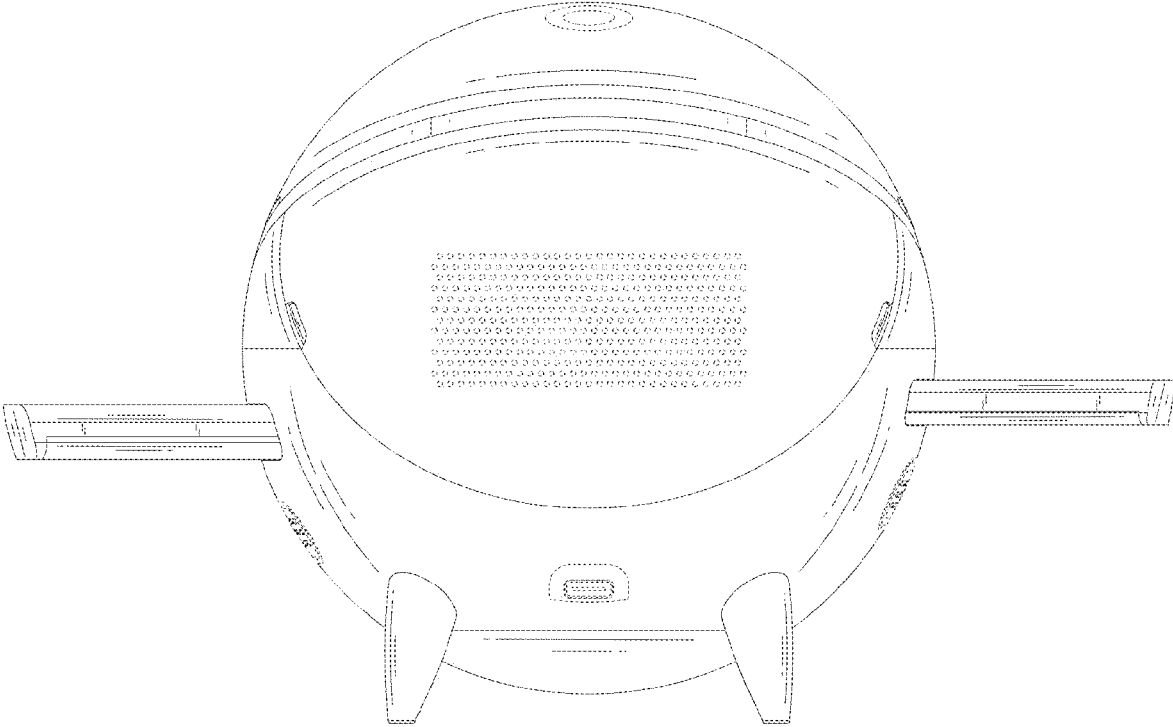


FIG.4

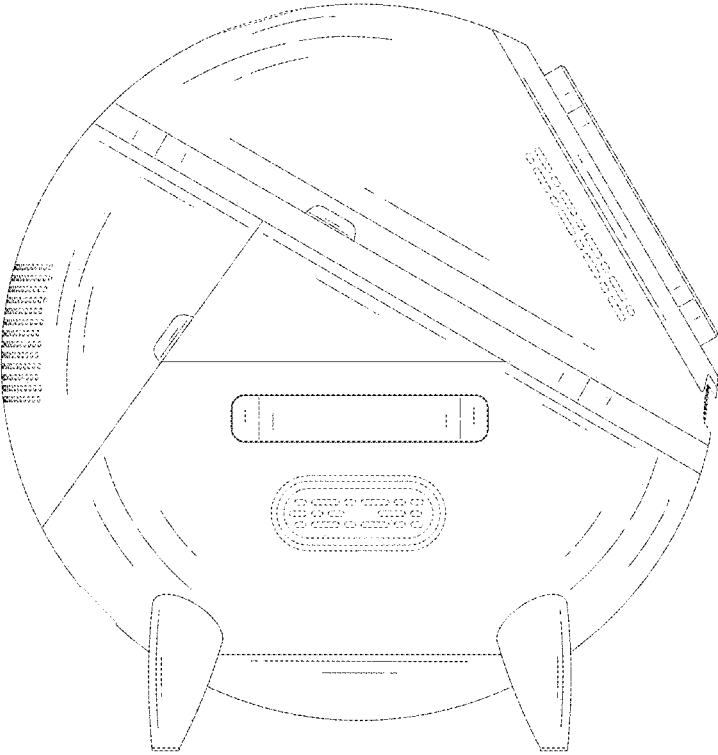


FIG.5

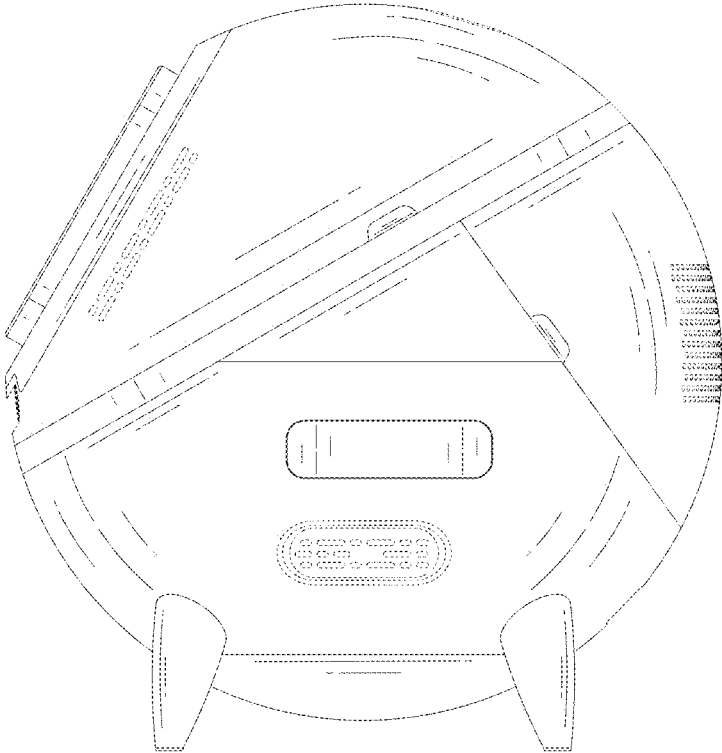


FIG.6

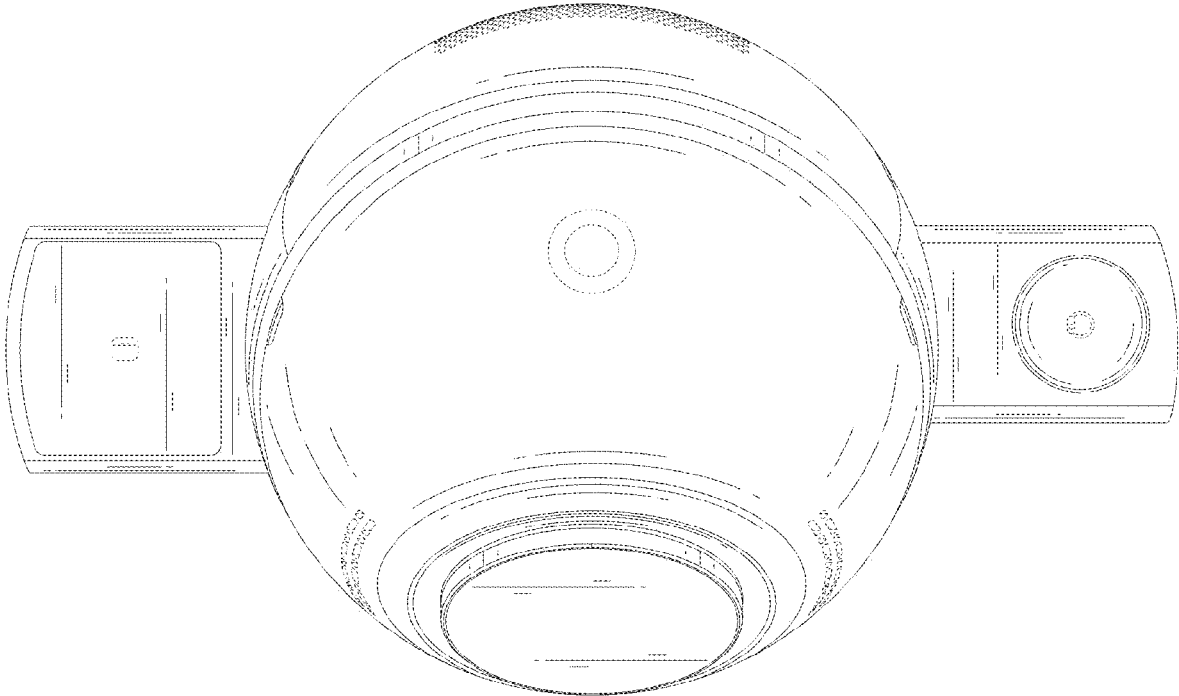


FIG.7

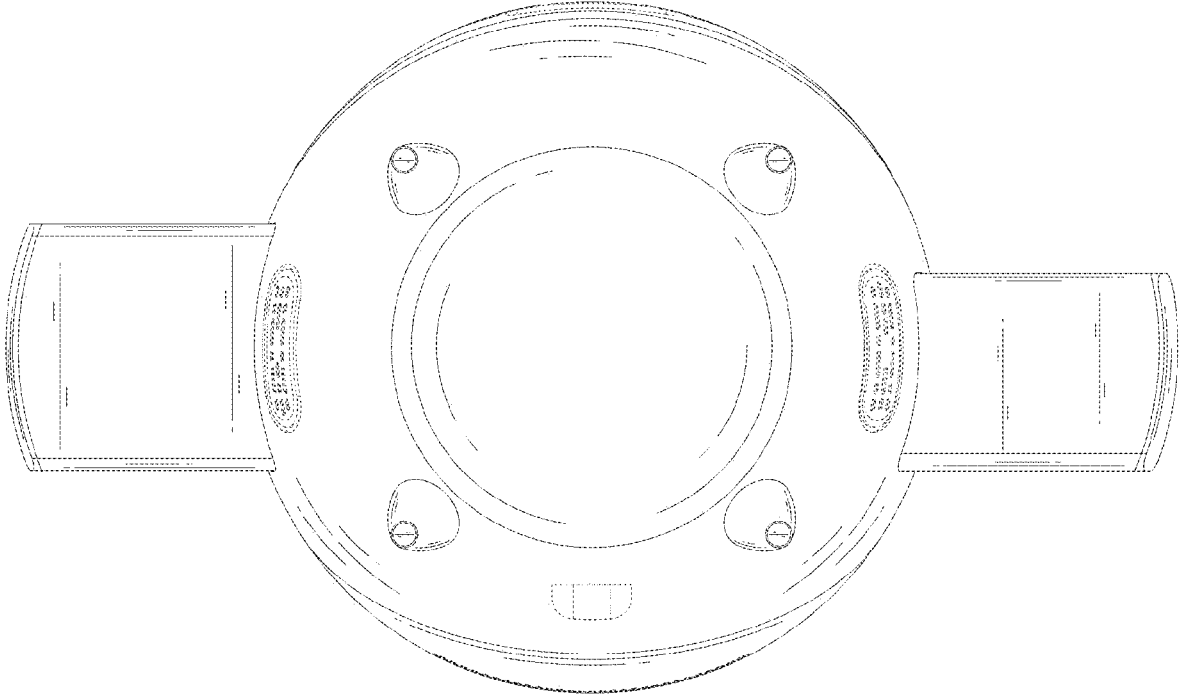


FIG.8

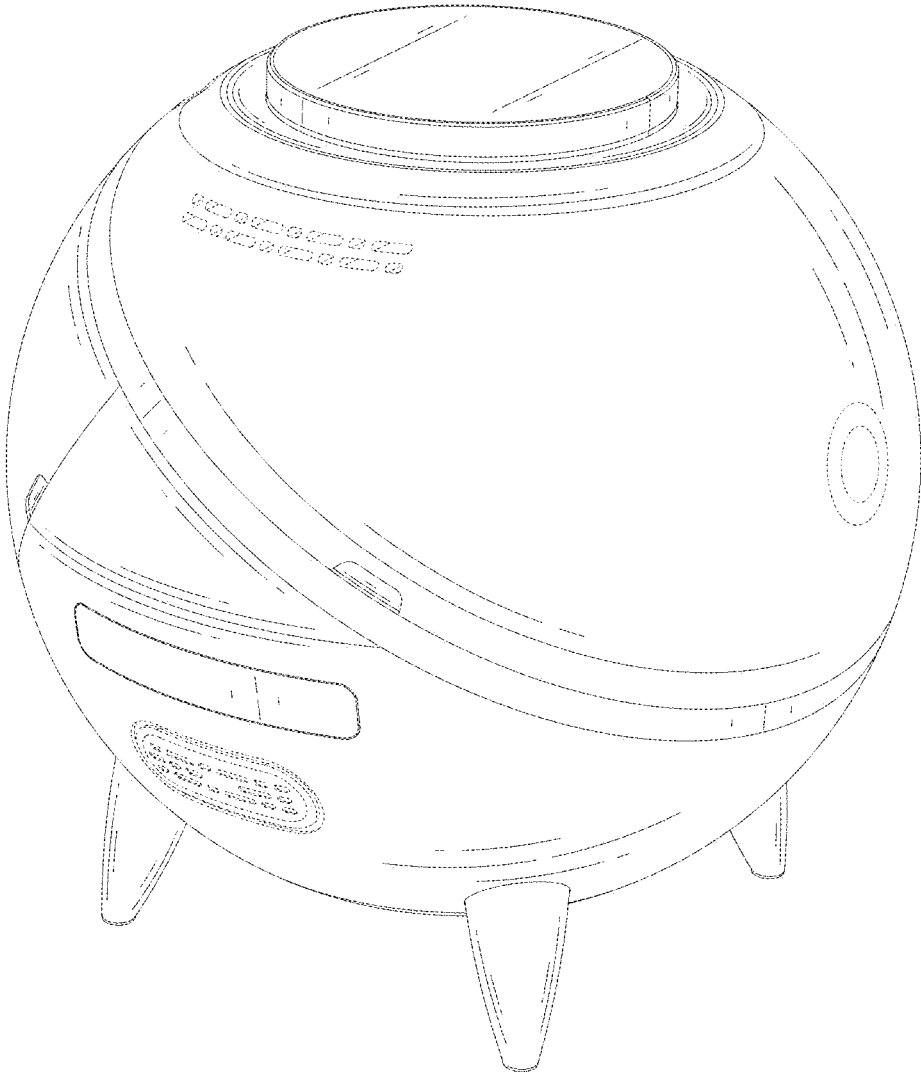


FIG.9