



US0D1065658S

(12) **United States Design Patent**  
**Bai**

(10) **Patent No.:** **US D1,065,658 S**

(45) **Date of Patent:** **\*\* Mar. 4, 2025**

(54) **CEILING LAMP**

(71) Applicant: **Dandan Bai**, Huizhou (CN)

(72) Inventor: **Dandan Bai**, Huizhou (CN)

(\*\*) Term: **15 Years**

(21) Appl. No.: **29/910,452**

(22) Filed: **Aug. 21, 2023**

(51) **LOC (15) Cl.** ..... **26-05**

(52) **U.S. Cl.**  
USPC ..... **D26/89**

(58) **Field of Classification Search**

USPC ..... D26/89, 24, 28, 37-52, 59, 63-66, 72,  
D26/81, 83, 88, 113, 138; D6/300, 308,  
D6/309; D11/132

CPC ..... F21K 9/00; F21K 9/20; F21L 4/00; F21L  
4/005; F21L 4/06; F21S 9/00; F21S 9/02;  
F21V 21/042; F21V 21/08; F21V 21/088

See application file for complete search history.

(56) **References Cited**

**U.S. PATENT DOCUMENTS**

D459,094 S *	6/2002	Stone .....	D6/309
D501,573 S *	2/2005	Benensohn .....	D26/89
D633,644 S *	3/2011	Sprengers .....	D26/89
D639,496 S *	6/2011	Wada .....	D26/120
D681,867 S *	5/2013	Wegger .....	D26/124
D751,236 S *	3/2016	Renshaw .....	D26/89
D765,903 S *	9/2016	Zhang .....	D26/89
D779,106 S *	2/2017	Krueckeberg .....	D26/89
D785,848 S *	5/2017	Couture .....	D26/89
D848,659 S *	5/2019	Mou .....	D26/89
D851,321 S *	6/2019	Vanslambrouck .....	D26/89
D890,411 S *	7/2020	Bai .....	D26/138
D910,825 S *	2/2021	Jung .....	D23/364
D918,461 S *	5/2021	Wu .....	D26/89
D921,276 S *	6/2021	Yu .....	D26/89
D925,806 S *	7/2021	Xia .....	D26/85
D948,774 S *	4/2022	Shen .....	D26/89

D948,777 S *	4/2022	Sieczkowski .....	D26/138
D951,531 S *	5/2022	Chen .....	D26/138
D971,400 S *	11/2022	Biancuzzo .....	D26/89
D989,377 S *	6/2023	Hsu .....	D26/88
D993,464 S *	7/2023	Wang .....	D26/88
D996,679 S *	8/2023	Zhang .....	D26/88
D1,002,066 S *	10/2023	Johnson .....	D26/89
D1,004,169 S *	11/2023	Li .....	D26/89
D1,004,170 S *	11/2023	Hsu .....	D26/89

(Continued)

**OTHER PUBLICATIONS**

“Amazon—Flush Mount Ceiling Light”, posted Sep. 8, 2023, [online], [retrieved Nov. 25, 2024]. Retrieved from internet, <https://www.amazon.ca/Ceiling-Fixture-Hallway-Laundry-Dimmable/dp/B0CGR9THH9?th=1> (Year: 2023).\*

(Continued)

*Primary Examiner* — Darcey E Gottschalk

*Assistant Examiner* — Bailey M Knotts

(74) *Attorney, Agent, or Firm* — JEEN IP LAW, LLC

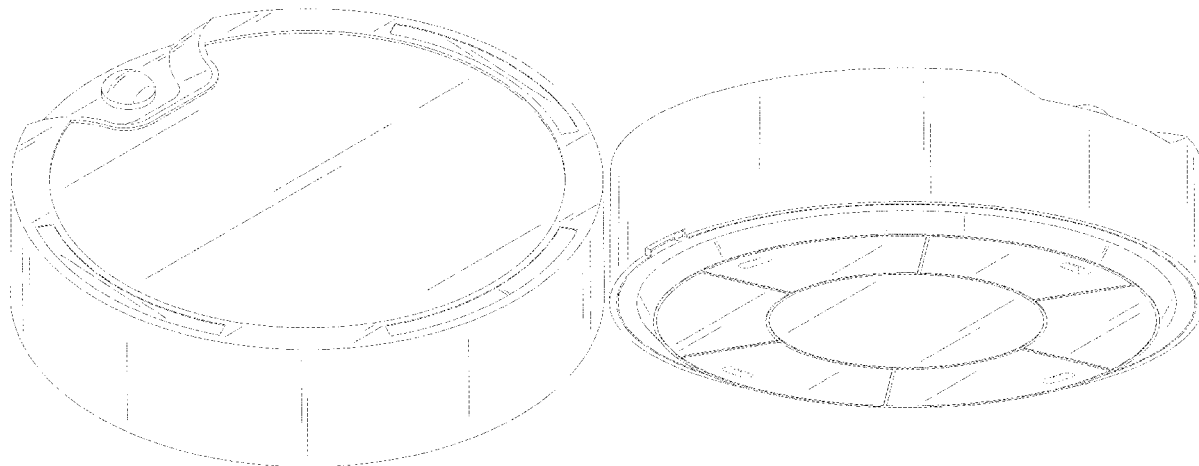
(57) **CLAIM**

The ornamental design for a ceiling lamp, as shown and described.

**DESCRIPTION**

FIG. 1 is a front, right and top perspective view of a ceiling lamp, showing my new design;  
FIG. 2 is a rear, left and bottom perspective view thereof;  
FIG. 3 is a front view thereof;  
FIG. 4 is a rear view thereof;  
FIG. 5 is a left side view thereof;  
FIG. 6 is a right side view thereof;  
FIG. 7 is a top plan view thereof; and,  
FIG. 8 is a bottom plan view thereof.  
The broken lines shown in the drawings illustrate portions of the ceiling lamp that form no part of the claimed design.

**1 Claim, 8 Drawing Sheets**



(56)

**References Cited**

U.S. PATENT DOCUMENTS

D1,007,037	S	*	12/2023	Huang	.....	D26/89
D1,007,041	S	*	12/2023	Fu	.....	D26/24
D1,012,262	S	*	1/2024	Pischke	.....	D23/385
D1,038,486	S	*	8/2024	Duan	.....	D26/89
D1,044,095	S	*	9/2024	Hodgson	.....	D26/89
D1,045,189	S	*	10/2024	He	.....	D26/89
D1,050,533	S	*	11/2024	Zhang	.....	D26/89
D1,050,537	S	*	11/2024	Xu	.....	D26/85
D1,051,466	S	*	11/2024	Zhang	.....	D26/89
2022/0349536	A1	*	11/2022	Tan	.....	G02B 6/0051

OTHER PUBLICATIONS

“Amazon—Motion Sensor Ceiling Light”, posted May 24, 2024, [online], [retrieved Nov. 25, 2024]. Retrieved from internet, <https://www.amazon.ca/dp/B0CNBZ6M4Z/> (Year: 2024).\*

“Amazon—Toowell Motion Sensor Light”, posted Aug. 13, 2019, [online], [retrieved Nov. 25, 2024]. Retrieved from internet, <https://www.amazon.ca/dp/B07VBLR67D/> (Year: 2019).\*

“Amazon—Motion Sensor Battery Operated Light”, posted Feb. 22, 2024, [online], [retrieved Nov. 25, 2024]. Retrieved from internet, <https://www.amazon.ca/dp/B0B8P7S5HG/> (Year: 2024).\*

\* cited by examiner

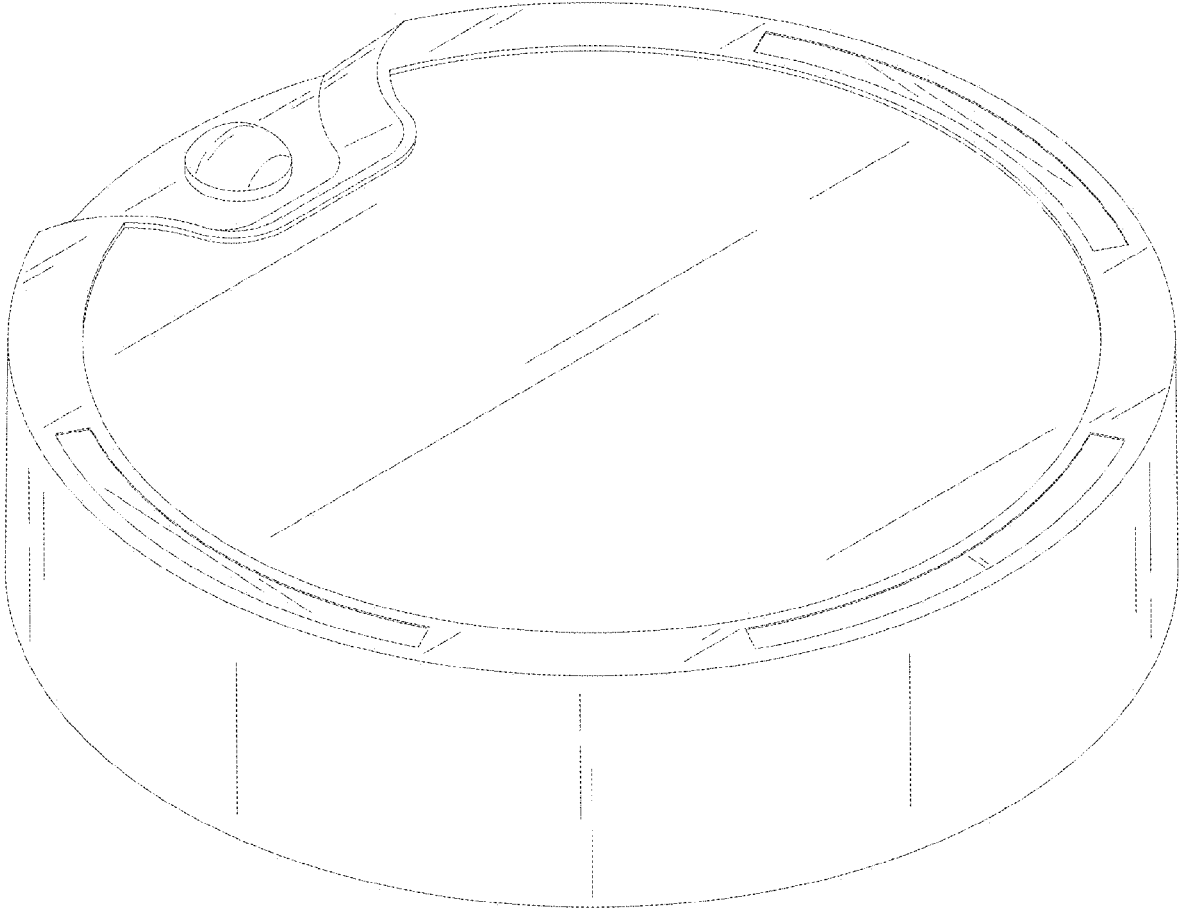


FIG. 1

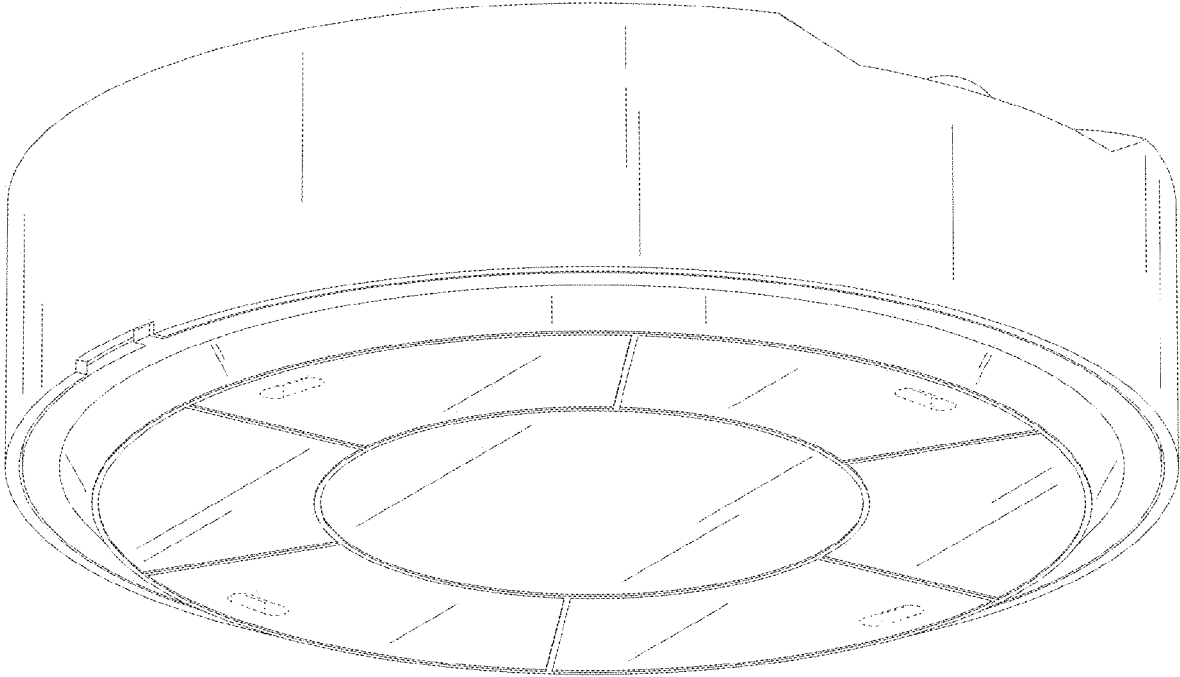


FIG. 2

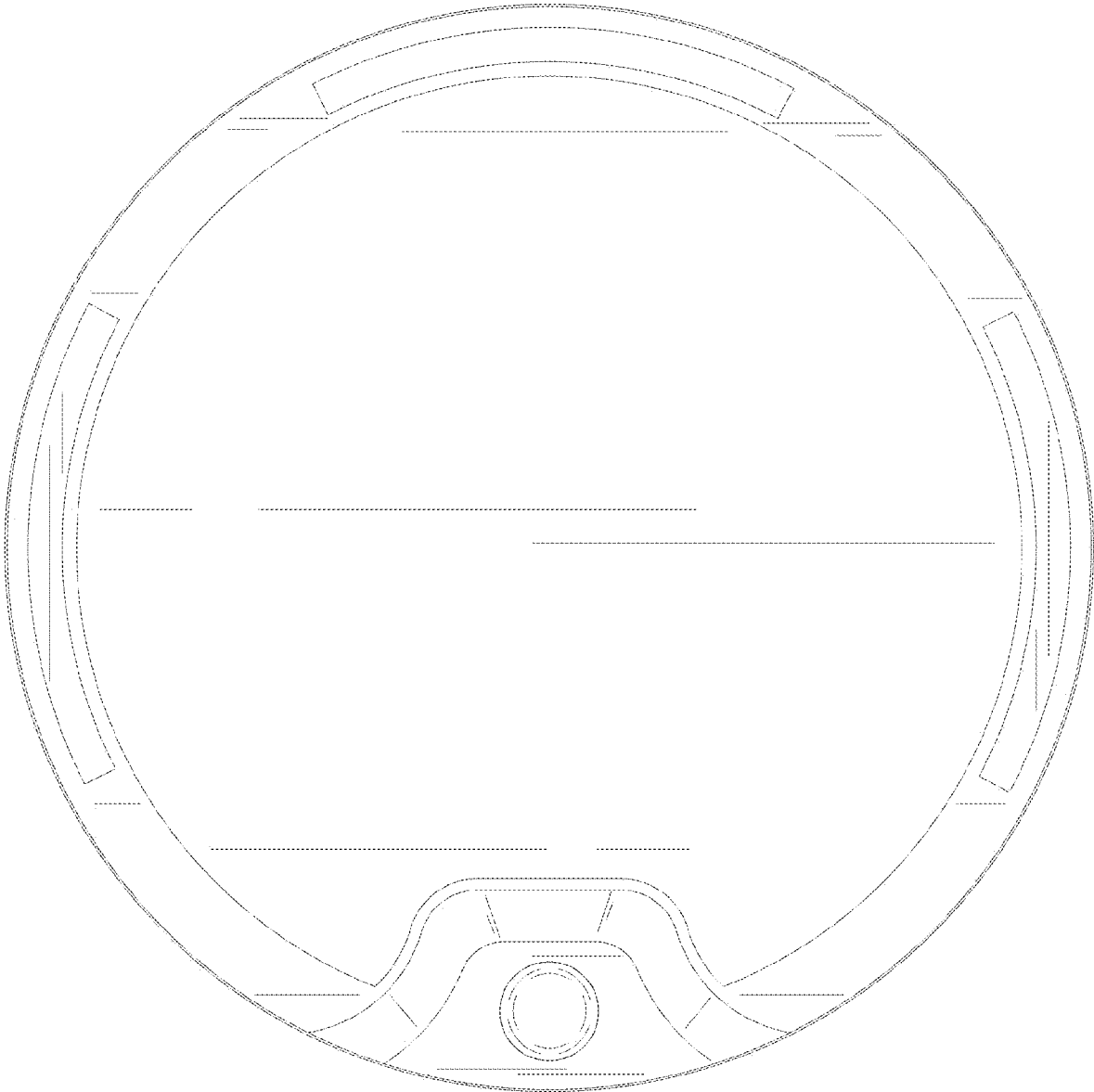


FIG. 3

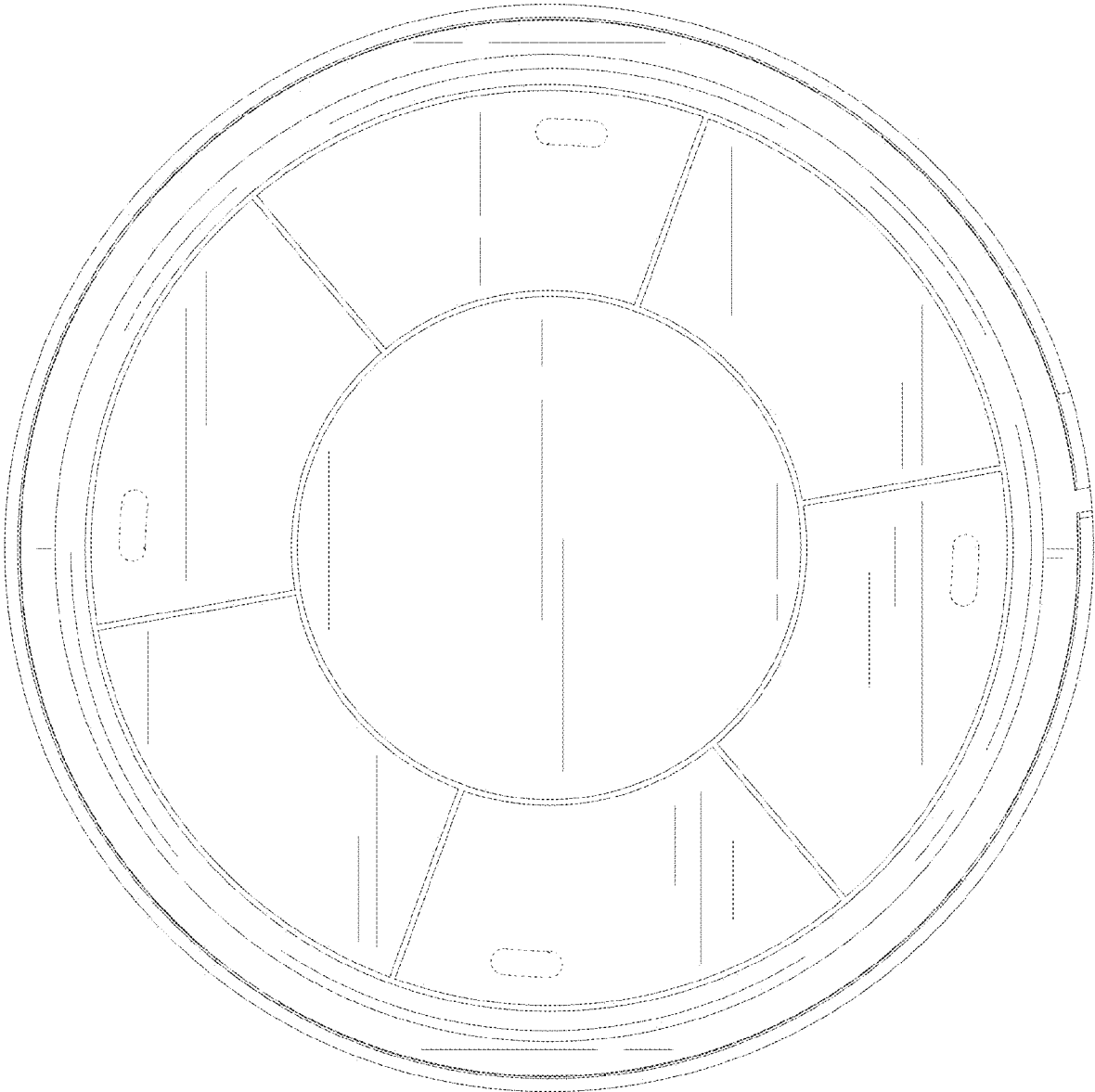


FIG. 4

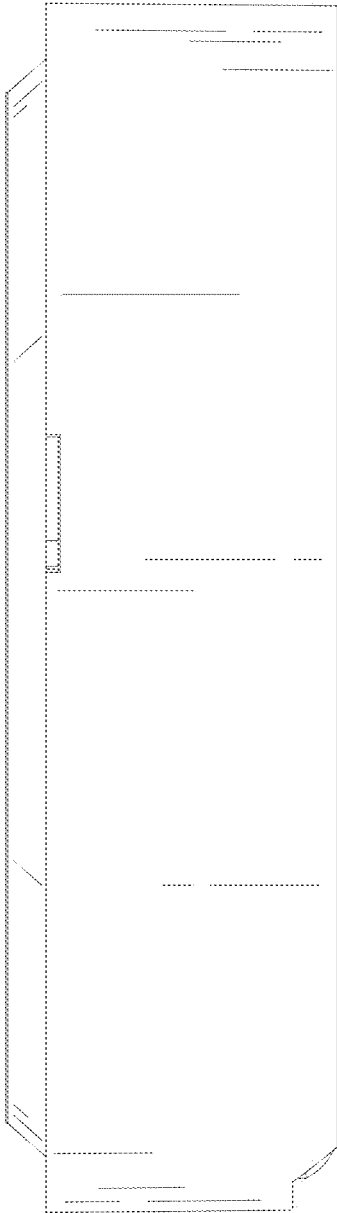


FIG. 5

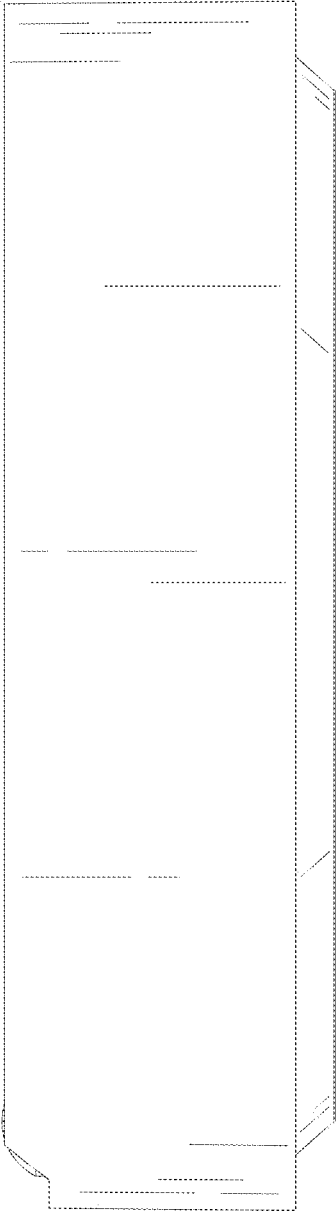


FIG. 6



FIG. 7

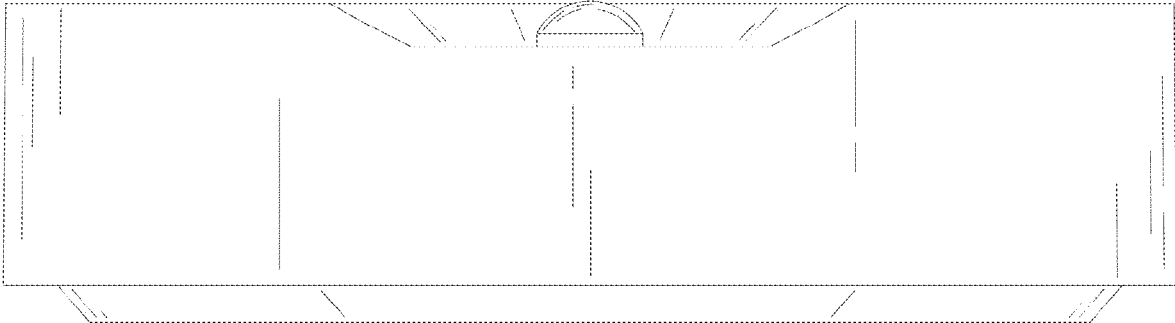


FIG. 8