

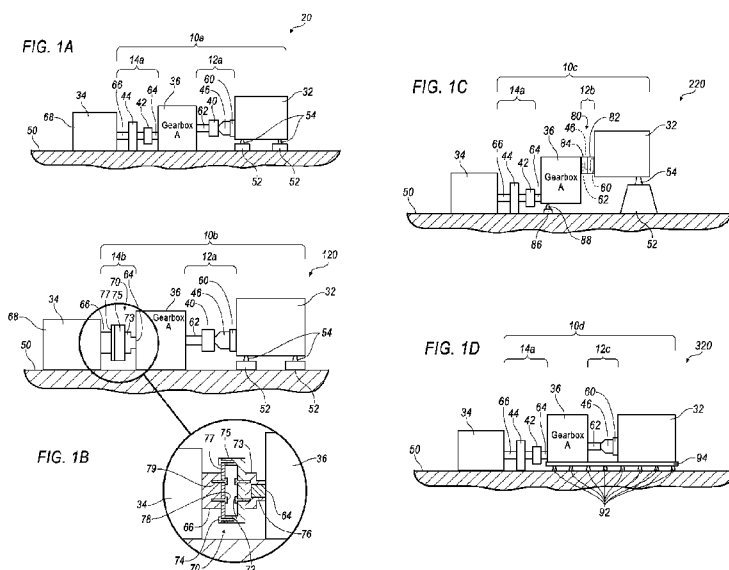


- (51) International Patent Classification:
F02B 63/04 (2006.01) F16D 13/64 (2006.01)
F02B 61/06 (2006.01) F16D 3/12 (2006.01)
F16D 3/76 (2006.01)
- (21) International Application Number:
PCT/US2010/035504
- (22) International Filing Date:
20 May 2010 (20.05.2010)
- (25) Filing Language: English
- (26) Publication Language: English
- (30) Priority Data:
12/470,209 21 May 2009 (21.05.2009) US
- (71) Applicant (for all designated States except US): MTU
DETROIT DIESEL, INC. [US/US]; 13400 Outer Drive
West, Detroit, MI 48239 (US).
- (72) Inventors; and
- (75) Inventors/Applicants (for US only): WOLFF, Bruce,
Emest Richard [CA/US]; 31286 Morlok Street, Livonia,
MI 48152 (US). BERRY, Douglas, Edwin [CA/US];
1808 Estela Circle, St. George, UT 84790 (US).
BOWDICH, Mark, Daniel [US/US]; 2468 Mortenson
Blvd., Berkley, MI 48072 (US). KRAMER, Gerhard
[DE/DE]; Schmalzhalde 8, 73655 Pluederhausen (DE).
WOODRUFF, Scott, Daniel [US/US]; 30028 Fox Club
Dr., Farmington Hills, MI 48331 (US).

- (74) Agent: COPPOLA, Joseph, V.; Honigman Miller
Schwartz And Cohn LLP, 38500 Woodward Avenue,
Suite 100, Bloomfield Hills, MI 48304-5048 (US).
- (81) Designated States (unless otherwise indicated, for every
kind of national protection available): AE, AG, AL, AM,
AO, AT, AU, AZ, BA, BB, BG, BH, BR, BW, BY, BZ,
CA, CH, CL, CN, CO, CR, CU, CZ, DE, DK, DM, DO,
DZ, EC, EE, EG, ES, FI, GB, GD, GE, GH, GM, GT,
HN, HR, HU, ID, IL, IN, IS, JP, KE, KG, KM, KN, KP,
KR, KZ, LA, LC, LK, LR, LS, LT, LU, LY, MA, MD,
ME, MG, MK, MN, MW, MX, MY, MZ, NA, NG, NI,
NO, NZ, OM, PE, PG, PH, PL, PT, RO, RS, RU, SC, SD,
SE, SG, SK, SL, SM, ST, SV, SY, TH, TJ, TM, TN, TR,
TT, TZ, UA, UG, US, UZ, VC, VN, ZA, ZM, ZW.
- (84) Designated States (unless otherwise indicated, for every
kind of regional protection available): ARIPO (BW, GH,
GM, KE, LR, LS, MW, MZ, NA, SD, SL, SZ, TZ, UG,
ZM, ZW), Eurasian (AM, AZ, BY, KG, KZ, MD, RU, TJ,
TM), European (AL, AT, BE, BG, CH, CY, CZ, DE, DK,
EE, ES, FI, FR, GB, GR, HR, HU, IE, IS, IT, LT, LU,
LV, MC, MK, MT, NL, NO, PL, PT, RO, SE, SI, SK,
SM, TR), OAPI (BF, BJ, CF, CG, CI, CM, GA, GN, GQ,
GW, ML, MR, NE, SN, TD, TG).

- Published:
— with international search report (Art. 21(3))
- (88) Date of publication of the international search report:
24 February 2011

(54) Title: POWER GENERATION SYSTEM AND METHOD FOR ASSEMBLING THE SAME



(57) Abstract: A power generation system is disclosed. The power generation system includes an electrical converting device (34) and a repowered portion (10a-10k) connected to the electrical converting device (34). The repowered portion (10a-10k) includes a reciprocating internal combustion engine (32) and a gearbox (36, 136, 236). The reciprocating internal combustion engine (32) is connected to the gearbox (36, 136, 236) by a first connecting structure (12a, 12b, 12c, 12d, 12e). The gearbox (36, 136, 236) is connected to the electrical converting device (34) by a second connecting structure (14a, 14b).

WO 2010/135486 A3

A. CLASSIFICATION OF SUBJECT MATTER*F02B 63/04(2006.01)i, F02B 61/06(2006.01)i, F16D 3/76(2006.01)i, F16D 13/64(2006.01)i, F16D 3/12(2006.01)i*

According to International Patent Classification (IPC) or to both national classification and IPC

B. FIELDS SEARCHED

Minimum documentation searched (classification system followed by classification symbols)

F02B 63/04; F01K 23/10; H02K 7/18; F01K 23/06; F02B 63/00; B60K 6/04; B60L 11/14; B60L 9/00

Documentation searched other than minimum documentation to the extent that such documents are included in the fields searched

Korean utility models and applications for utility models

Japanese utility models and applications for utility models

Electronic data base consulted during the international search (name of data base and, where practicable, search terms used)

eKOMPASS(KIPO internal) & Keywords:power, generation, electrical, repower, internal combustion engine, gearbox, connect, structure

C. DOCUMENTS CONSIDERED TO BE RELEVANT

Category*	Citation of document, with indication, where appropriate, of the relevant passages	Relevant to claim No.
A	US 5582262 A (WUST; BERNHARD) 10 December 1996 See column 4, line 47 - column 5, line 38	1-47
A	US 2007-0145745 A1 (EDWARD WOODS et al.) 28 June 2007 See claim 1 and fig.1	1-47
A	EP 0666192 A1 (YANG, TAI-HER) 09 August 1995 See claim 1 and fig.1	1-47
A	EP 1172525 A1 (ADB POWER APS) 16 January 2002 See claim 1 and fig.1	1-47

 Further documents are listed in the continuation of Box C. See patent family annex.

* Special categories of cited documents:

"A" document defining the general state of the art which is not considered to be of particular relevance

"E" earlier application or patent but published on or after the international filing date

"L" document which may throw doubts on priority claim(s) or which is cited to establish the publication date of citation or other special reason (as specified)

"O" document referring to an oral disclosure, use, exhibition or other means

"P" document published prior to the international filing date but later than the priority date claimed

"T" later document published after the international filing date or priority date and not in conflict with the application but cited to understand the principle or theory underlying the invention

"X" document of particular relevance; the claimed invention cannot be considered novel or cannot be considered to involve an inventive step when the document is taken alone

"Y" document of particular relevance; the claimed invention cannot be considered to involve an inventive step when the document is combined with one or more other such documents, such combination being obvious to a person skilled in the art

"&" document member of the same patent family


Date of the actual completion of the international search

02 DECEMBER 2010 (02.12.2010)

Date of mailing of the international search report

06 DECEMBER 2010 (06.12.2010)

Name and mailing address of the ISA/KR


 Korean Intellectual Property Office
 Government Complex-Daejeon, 139 Seonsa-ro, Seo-
 gu, Daejeon 302-701, Republic of Korea

Facsimile No. 82-42-472-7140

Authorized officer

LEE, TAEK SANG

Telephone No. 82-42-481-5492



INTERNATIONAL SEARCH REPORT

Information on patent family members

International application No.

PCT/US2010/035504

Patent document cited in search report	Publication date	Patent family member(s)	Publication date
US 5582262 A	10.12.1996	CA 2118538 C EP 0649769 A1	21.03.2006 26.04.1995
US 2007-0145745 A1	28.06.2007	EP 1676023 A2 US 7675187 B2 WO 2005-036721 A2	05.07.2006 09.03.2010 21.04.2005
EP 0666192 A1	09.08.1995	AU 5503294 A AU 676522 B2 BR 9401023 A CA 2115005 C CA 2115005-A1 CN 1077952 C CN 1109152 A DE 69418023 D1 DE 69418023 T2 EP 0666192 B1 ES 2131157 T3 GB 2275309 A GB 2275309 B GB 9303513 D0 US 05489001A A	24.08.1995 13.03.1997 21.11.1995 12.04.2005 05.08.1995 16.01.2002 27.09.1995 27.05.1999 12.08.1999 21.04.1999 16.07.1999 24.08.1994 29.10.1997 07.04.1993 06.02.1996
EP 1172525 A1	16.01.2002	None	