

(19) World Intellectual Property Organization  
International Bureau



(43) International Publication Date  
8 October 2009 (08.10.2009)

(10) International Publication Number  
**WO 2009/122428 A3**

(51) International Patent Classification:

*B63H 1/06* (2006.01)      *B64C 11/28* (2006.01)  
*B63H 5/125* (2006.01)    *B64C 27/50* (2006.01)  
*B64C 11/12* (2006.01)

(21) International Application Number:

PCT/IN2008/000878

(22) International Filing Date:

13 August 2008 (13.08.2008)

(25) Filing Language:

English

(26) Publication Language:

English

(30) Priority Data:

1563/MUM/2007 13 August 2007 (13.08.2007)      IN

(71) Applicant (for all designated States except US): **NOSTRUM ENERGY PTE. LTD.** [SG/SG]; Solomed Pte. Ltd., 90, Cecil Street, #08-03, Singapore 069531 (SG).

(71) Applicant and

(72) Inventor (for IN, US only): **SHRIKRISHNA, Sane** [IN/IN]; 601, Shivneri, IIT Bombay, Staff CHSL, Kopri, Powai, PO:IIT Powai, Mumbai 400 076 (IN).

(72) Inventors; and

(75) Inventors/Applicants (for US only): **NIRMAL, Mulye** [US/US]; 10 Erin Ct., Kendall Park, NJ 08824 (US). **VIJAY, Shukla** [IN/US]; 184, Cedar Lane, Apt. A, Highland Park, NJ 08904 (US). **OSANAN, L. Barros Neto** [BR/US]; 465, Meadow Rd, Apt. 1102, Princeton, NJ 08540 (US).

(74) Agents: **SANJAY, Kumar** et al.; Varun Shama of Remfry & Sagar, 79 Nariman Bhavan, 7th Floor, 227 Bakbay Reclamation, Nariman Point Mumbai 400 021 (IN).

(81) Designated States (unless otherwise indicated, for every

kind of national protection available): AE, AG, AL, AM, AO, AT, AU, AZ, BA, BB, BG, BH, BR, BW, BY, BZ, CA, CH, CN, CO, CR, CU, CZ, DE, DK, DM, DO, DZ, EC, EE, EG, ES, FI, GB, GD, GE, GH, GM, GT, HN, HR, HU, ID, IL, IN, IS, JP, KE, KG, KM, KN, KP, KR, KZ, LA, LC, LK, LR, LS, LT, LU, LY, MA, MD, ME, MG, MK, MN, MW, MX, MY, MZ, NA, NG, NI, NO, NZ, OM, PG, PH, PL, PT, RO, RS, RU, SC, SD, SE, SG, SK, SL, SM, ST, SV, SY, TJ, TM, TN, TR, TT, TZ, UA, UG, US, UZ, VC, VN, ZA, ZM, ZW.

(84) Designated States (unless otherwise indicated, for every

kind of regional protection available): ARIPO (BW, GH, GM, KE, LS, MW, MZ, NA, SD, SL, SZ, TZ, UG, ZM, ZW), Eurasian (AM, AZ, BY, KG, KZ, MD, RU, TJ, TM), European (AT, BE, BG, CH, CY, CZ, DE, DK, EE, ES, FI, FR, GB, GR, HR, HU, IE, IS, IT, LT, LU, LV, MC, MT, NL, NO, PL, PT, RO, SE, SI, SK, TR), OAPI (BF, BJ, CF, CG, CI, CM, GA, GN, GQ, GW, ML, MR, NE, SN, TD, TG).

Declarations under Rule 4.17:

— of inventorship (Rule 4.17(iv))

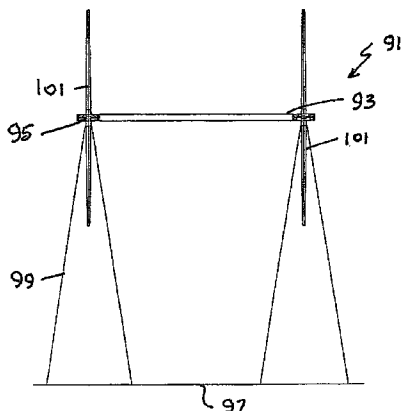
Published:

— with international search report (Art. 21(3))

(88) Date of publication of the international search report:

30 December 2009

(54) Title: LINEAR WIND-POWERED ELECTRIC GENERATOR



(57) Abstract: A linear wind powered electric generator (LWPEG), which is particularly adapted for installation at geographical sites subject to lower wind intensities. More specifically, there are provided design concepts for an LWPEG, possessing reasonable economic parameters for utilization at the lower-intensity wind sites. Moreover, the linear wind powered electric generator is based on a track based wind power generator, incorporating aerodynamic designs, which are adapted to reduce mechanical complexities presently encountered in this technology, while being cost-effective both in construction and in connection with the operation thereof.



WO 2009/122428 A3

# INTERNATIONAL SEARCH REPORT

International application No.  
PCT/IN 08/00878

**A. CLASSIFICATION OF SUBJECT MATTER**  
 IPC(8) - B63H 1/06, 5/125; B64C 11/12, 11/28, 27/50 (2009.01)  
 USPC - 416/132B  
 According to International Patent Classification (IPC) or to both national classification and IPC

**B. FIELDS SEARCHED**

Minimum documentation searched (classification system followed by classification symbols)  
 IPC(8):B63H 1/06,5/125; B64C 11/12,11/28,27/50 (2009.01)  
 USPC:416/132B

Documentation searched other than minimum documentation to the extent that such documents are included in the fields searched  
 IPC(8):B63H 1/06,5/125; B64C 11/12,11/28,27/50 (2009.01) (text search)  
 USPC:416/109,111,120,132B (text search)

Electronic data base consulted during the international search (name of data base and, where practicable, search terms used)  
 PubWEST(USPT,PGPB,EPAB,JPAB); Internet search via Google Web and Google Scholar search engines. Search Terms Used: linear wind generation rail oval trapezoid rail track monorail guide wheel roller wind energy power electrical support frame pole pylon generator stator blade sail airfoil foil air orientation horizontal vertical

**C. DOCUMENTS CONSIDERED TO BE RELEVANT**

Category*	Citation of document, with indication, where appropriate, of the relevant passages	Relevant to claim No.
X	US 7,075,191 B2 (Davison) 11 July 2006 (11.07.2006) col. 2 ln. 61 to col. 6 ln. 18, Fig. 1-20	1, 2, 4-15, 17-30
---		
Y		3, 16 and 31
Y	US 4,572,962 A (Shepard) 25 February 1986 (25.02.1986) col. 2 ln. 3 to col. 5 ln. 59, Fig. 1-11	3, 16 and 31
A	US 4,832,569 A (Samuelsen et al.) 23 May 1989 (23.05.1989) entire document	1-31
A	US 4,589,344 A (Davison) 20 May 1986 (20.05.1986) entire document	1-31

Further documents are listed in the continuation of Box C.

\* Special categories of cited documents:

"A" document defining the general state of the art which is not considered to be of particular relevance "E" earlier application or patent but published on or after the international filing date "L" document which may throw doubts on priority claim(s) or which is cited to establish the publication date of another citation or other special reason (as specified) "O" document referring to an oral disclosure, use, exhibition or other means "P" document published prior to the international filing date but later than the priority date claimed	"T" later document published after the international filing date or priority date and not in conflict with the application but cited to understand the principle or theory underlying the invention "X" document of particular relevance; the claimed invention cannot be considered novel or cannot be considered to involve an inventive step when the document is taken alone "Y" document of particular relevance; the claimed invention cannot be considered to involve an inventive step when the document is combined with one or more other such documents, such combination being obvious to a person skilled in the art "&" document member of the same patent family
--	--

Date of the actual completion of the international search 18 August 2009 (18.08.2009)	Date of mailing of the international search report <b>31 AUG 2009</b>
--	--

Name and mailing address of the ISA/US Mail Stop PCT, Attn: ISA/US, Commissioner for Patents P.O. Box 1450, Alexandria, Virginia 22313-1450 Facsimile No. 571-273-3201	Authorized officer: <p style="text-align: center;">Lee W. Young</p> PCT Helpdesk: 571-272-4300 PCT OSP: 571-272-7774
---	--