



US00D360401S

**United States Patent** [19]  
**Chen**

[11] **Patent Number: Des. 360,401**

[45] **Date of Patent: \*\* Jul. 18, 1995**

[54] **SAFETY PLUG**

[76] **Inventor: Chi-Hsien Chen, 8F-6, No. 100, Sec. 2, Hoping E. Rd., Taipei, Taiwan**

[\*\*] **Term: 14 Years**

[21] **Appl. No.: 14,180**

[22] **Filed: Oct. 14, 1993**

[52] **U.S. Cl. .... D13/138**

[58] **Field of Search ..... D13/137, 138, 141, 142, D13/143; 439/449, 474, 484, 606, 694**

[56] **References Cited**

**U.S. PATENT DOCUMENTS**

- D. 330,009 10/1992 Dickie ..... D13/143 X
- D. 341,816 11/1993 Nagano ..... D13/142
- 2,030,115 2/1936 Muldoon ..... D13/138 X
- 4,545,631 10/1985 Zampini ..... D13/137 X

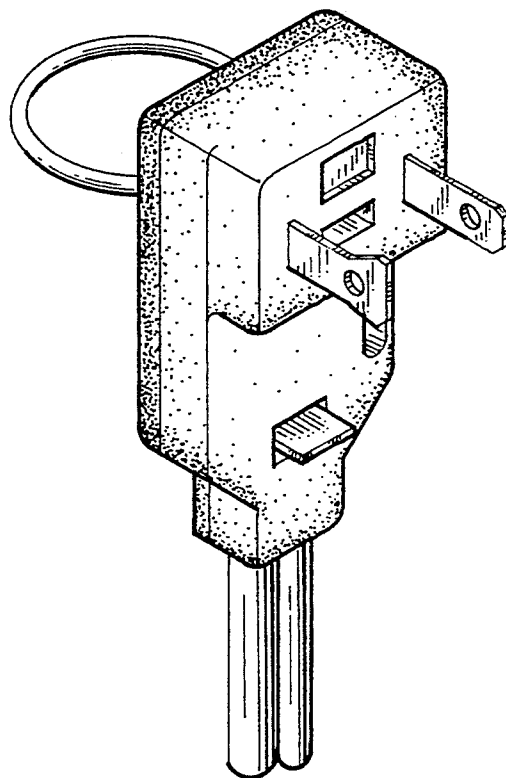
*Primary Examiner*—Joel Sincavage  
*Attorney, Agent, or Firm*—Browdy and Neimark

[57] **CLAIM**

The ornamental design for a safety plug, as shown and described.

**DESCRIPTION**

FIG. 1 is the perspective view of a safety plug showing my new design;  
 FIG. 2 is the front elevational view thereof;  
 FIG. 3 is the rear elevational view thereof;  
 FIG. 4 is the left side elevational view thereof;  
 FIG. 5 is the right side elevational view thereof;  
 FIG. 6 is the top plan view thereof;  
 FIG. 7 is the bottom plan view thereof;  
 FIG. 8 is the perspective view thereof shown with the finger loop in the extended position;  
 FIG. 9 is the perspective view thereof shown in use. The broken line showing of the hand is included for the purpose of illustrating the in-use environment only and forms no part of the claimed design;  
 FIG. 10 is a rear elevation view thereof with the finger loop in the extended position; and,  
 FIG. 11 is a upper right perspective view thereof from the rear with the finger loop in the extended position.



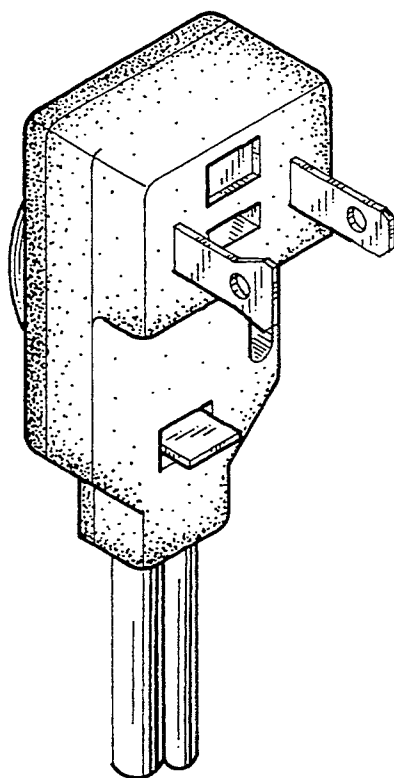


FIG. 1

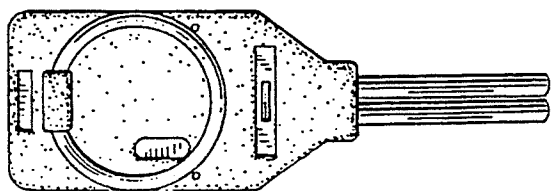


FIG. 3

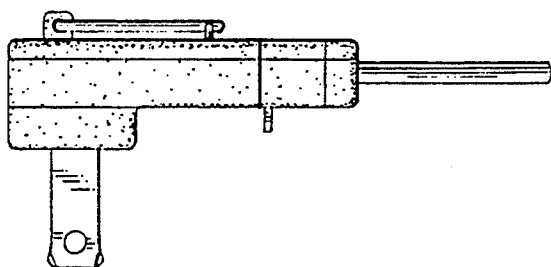


FIG. 5

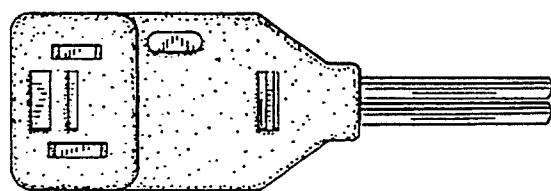


FIG. 2

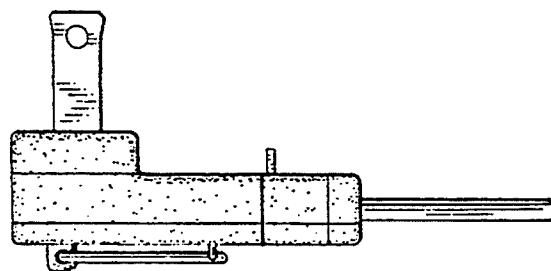


FIG. 4

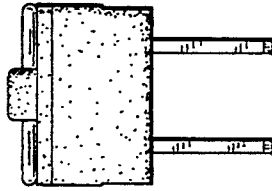


FIG. 6

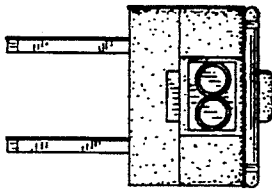


FIG. 7

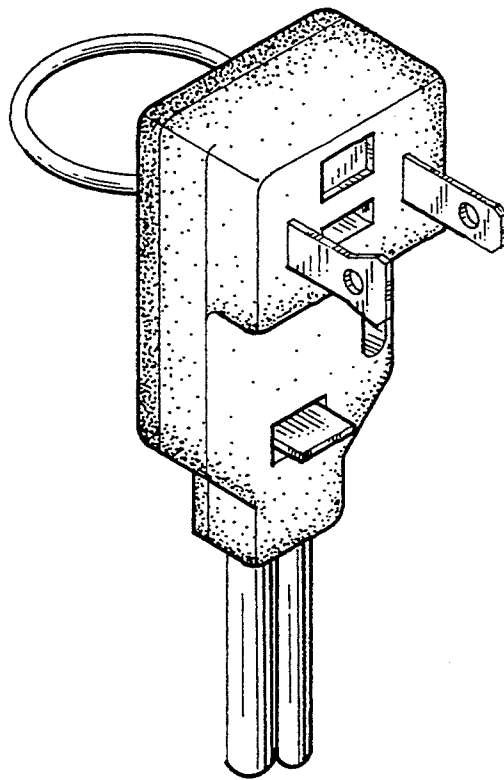


FIG. 8

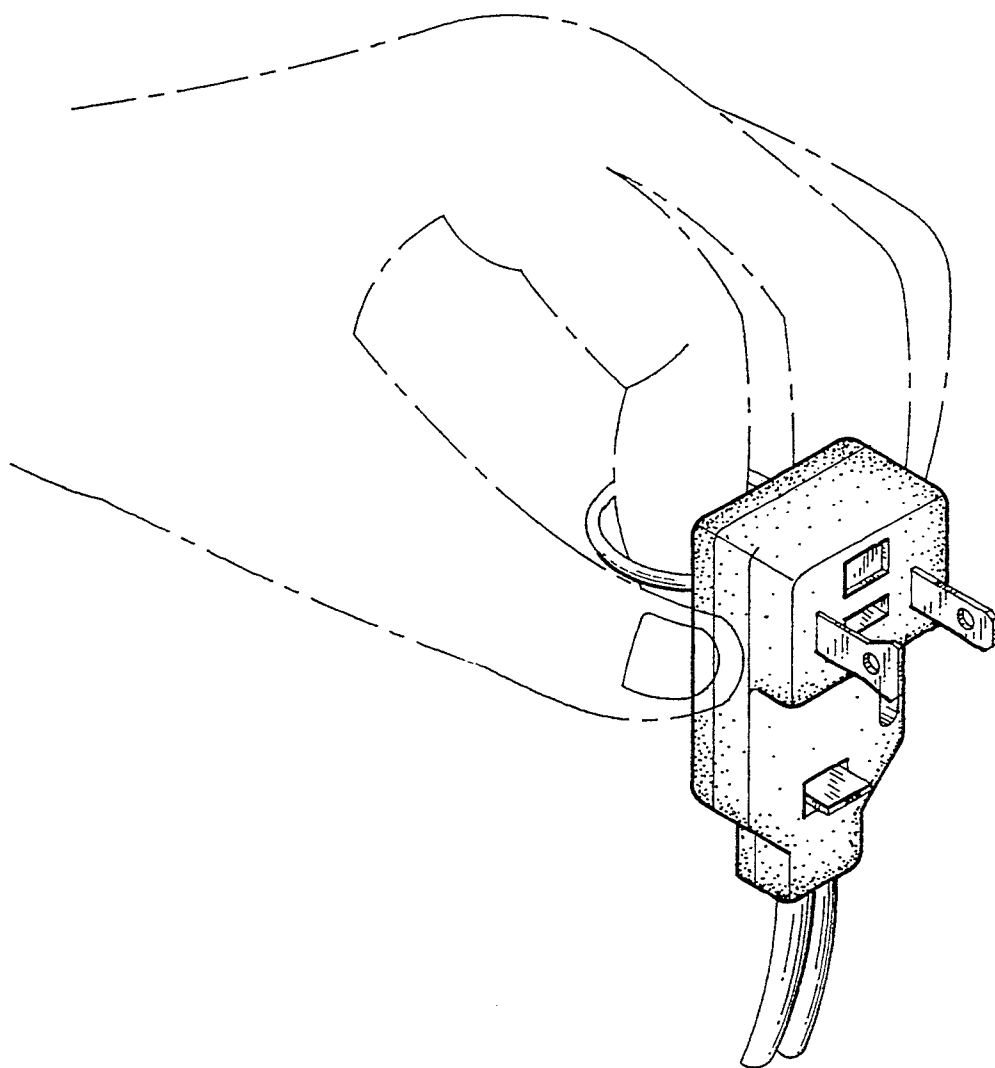


FIG. 9

FIG. 10

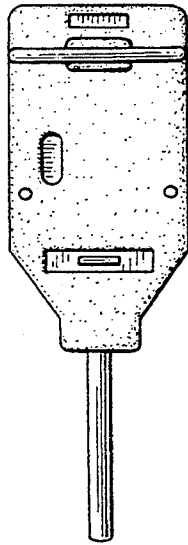


FIG. 11

