



US00D757446S

(12) **United States Design Patent**
Ewert

(10) **Patent No.:** **US D757,446 S**

(45) **Date of Patent:** **** May 31, 2016**

(54) **POOL SKIMMER BRUSH ATTACHMENT**

2200/302; A46D 1/02; A46D 1/023; A46D 1/0284; A46D 99/00

(71) Applicant: **Nancy A. Ewert**, Modesto, CA (US)

See application file for complete search history.

(72) Inventor: **Nancy A. Ewert**, Modesto, CA (US)

(56) **References Cited**

(**) Term: **14 Years**

U.S. PATENT DOCUMENTS

(21) Appl. No.: **29/481,707**

D25,895 S * 8/1896 Young 15/159.1

(22) Filed: **Feb. 10, 2014**

702,136 A * 6/1902 Isaacs A46B 9/02

(51) **LOC (10) Cl.** **04-02**

987,010 A * 3/1911 O'Brien A46B 9/005

(52) **U.S. Cl.**

1,761,180 A * 6/1930 Cave A47L 1/06

USPC **D4/133; D4/116**

4,291,431 A * 9/1981 Lewis, Jr. A46B 3/06

(58) **Field of Classification Search**

4,637,087 A * 1/1987 Feinberg E04H 4/1609

USPC D4/116-123, 127, 128, 130, 132-136, D4/199; 15/160, 1.7, 52.1, 55, 82, 179, 15/183, 246, 201, 105, 106, 146, 159.1, 15/184, 207.2, 236.1, 250.361, 250.37, 15/256.5, 1, 114, 117, 121, 104.04, 4, 15/21.1, 22.2, 22.3, 49.1, 50.3, 53.1, 53.2, 15/54, 78-79.2, 256.51-256.53; 210/167.1, 167.12, 167.15, 167.16, 210/167.18, 167.21, 271, 272, 324, 541, 210/542; 114/222; 43/1, 107, 110, 111, 43/121, 133, 134, 142; D32/50, 51, 15, D32/16, 19, 24, 33, 52; D23/200, 206, 209, D23/210

5,661,867 A * 9/1997 Elliott A46B 9/02

CPC E04H 4/16; E04H 4/1609; E04H 4/1618; E04H 4/1654; E04H 4/1663; E04H 4/1681; E04H 4/12; E04H 4/1218; E04H 4/1254; E04H 4/1263; E01H 1/00; E01H 1/02; E01H 1/04; E01H 1/045; E01H 1/05; E01H 1/053; E01H 1/056; A46B 3/00; A46B 3/20; A46B 5/00; A46B 5/002; A46B 5/0025; A46B 5/0045; A46B 5/0054; A46B 55/0075; A46B 5/0079; A46B 5/0083; A46B 5/0091; A46B 5/0095; A46B 7/00; A46B 7/044; A46B 7/046; A46B 7/048; A46B 7/06; A46B 7/10; A46B 9/00; A46B 9/02; A46B 9/025; A46B 9/026; A46B 9/028; A46B 9/08; A46B 9/10; A46B 9/12; A46B 13/001; A46B 13/003; A46B 15/0016; A46B 15/0002; A46B 15/172; A46B 15/0055; A46B 15/0081; A46B 17/08; A46B 2200/3073; A46B 2200/3046; A46B

4,733,427 A 3/1988 Conrad

4,783,868 A * 11/1988 O'Callaghan A46B 15/00

D351,948 S * 11/1994 Getchell D32/42

5,487,397 A * 1/1996 Bean E04H 4/1609

134/6

5,983,431 A * 11/1999 Meshulam E04H 4/1609

114/222

6,148,466 A * 11/2000 Smitelli, III A46B 9/02

15/1.7

D445,572 S * 7/2001 Rowell D4/133

(Continued)

Primary Examiner — Susan Moon Lee

(74) *Attorney, Agent, or Firm* — Crossley & Stevenson IP Law

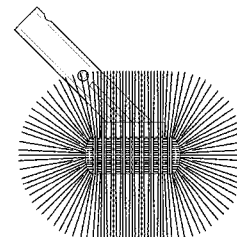
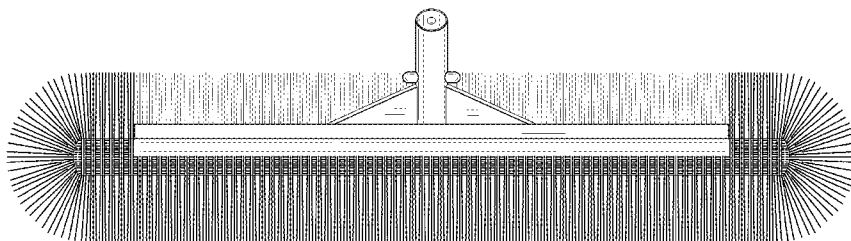
(57) **CLAIM**

The ornamental design for a pool skimmer brush attachment, as shown and described.

DESCRIPTION

FIG. 1 is a front elevation view of a pool skimmer brush attachment showing my new design; FIG. 2 is a rear elevation view thereof; FIG. 3 is a right side elevation view thereof, the opposite side being a mirror image of the shown; FIG. 4 is a top plan view thereof; and, FIG. 5 is a bottom plan view thereof.

1 Claim, 4 Drawing Sheets



(56)

References Cited

U.S. PATENT DOCUMENTS

6,301,737	B1 *	10/2001	Morse	E04H 4/1609	2002/0083536	A1 *	7/2002	Holiday	E04H 4/1609
					15/1.7						15/1.7
6,668,413	B2	12/2003	Fortier			2003/0102009	A1 *	6/2003	Fortier	A43B 3/20
D511,046	S *	11/2005	Berti	D32/50						134/6
D563,107	S *	3/2008	Folden	D4/116	2004/0060129	A1 *	4/2004	Juett	A46B 17/08
7,506,393	B1 *	3/2009	LeClair	E04H 4/1609						15/1.7
					15/1.7	2004/0255427	A1 *	12/2004	Gavney, Jr.	A46B 9/005
7,533,436	B2 *	5/2009	Vaartjes	A46B 15/0055						15/401
					15/114	2012/0144605	A1 *	6/2012	Dewings	E04H 4/1609
D611,668	S *	3/2010	Wessel	D32/50						15/1.7
D642,760	S *	8/2011	Lacotta	D32/50	2013/0081216	A1 *	4/2013	Gopalan	E04H 4/1654
8,185,990	B1 *	5/2012	Newville	E04H 4/1609						15/1.7
					15/1.7	2013/0283554	A1 *	10/2013	Saccoccio	A46B 9/02
D664,772	S	8/2012	Rossano et al.								15/160
8,528,146	B1 *	9/2013	Abrahamson	A46B 5/0045	2013/0298343	A1 *	11/2013	Saccoccio	E04H 4/1609
					15/1.7						15/160
D692,197	S *	10/2013	Rossano	D32/33	2014/0123422	A1 *	5/2014	Boyd	E04H 4/1609
D693,079	S *	11/2013	Nordvik	D32/50						15/160
D747,884	S *	1/2016	Chalifoux	D4/132	2014/0298601	A1 *	10/2014	Winkler	B08B 3/024
											15/1.7
						2014/0366297	A1 *	12/2014	Shlomi-Shlomi	E04H 4/16
											15/160

* cited by examiner

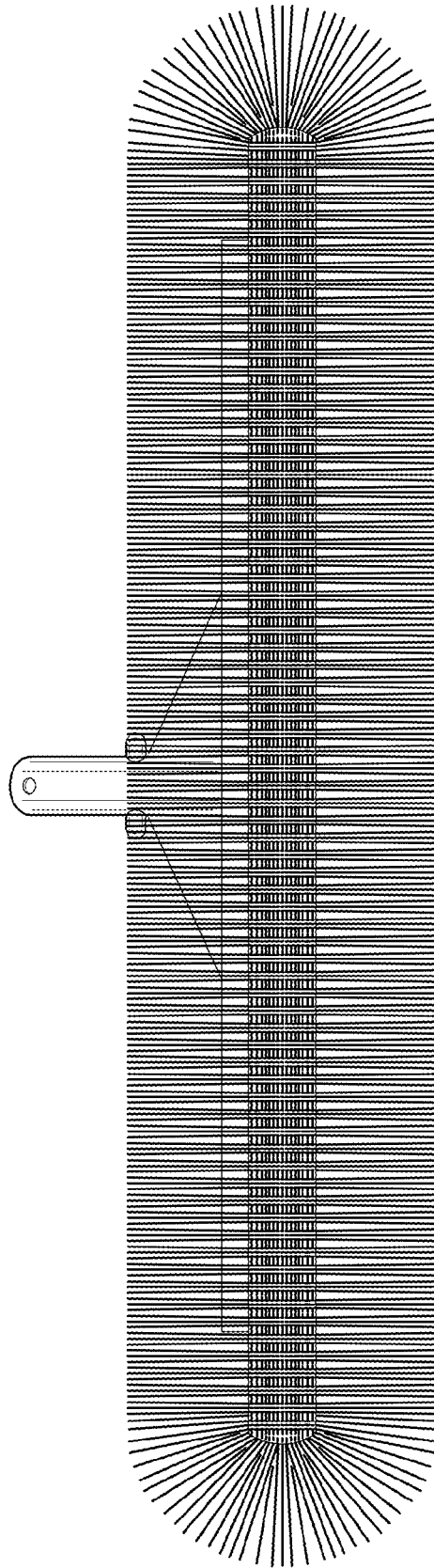


FIG. 1

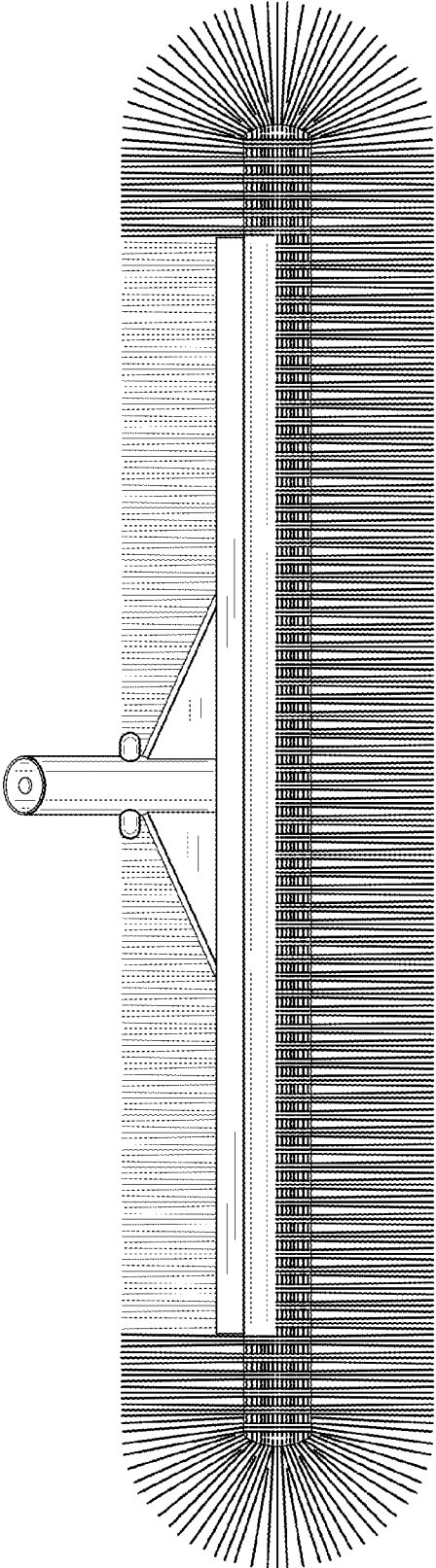


FIG. 2

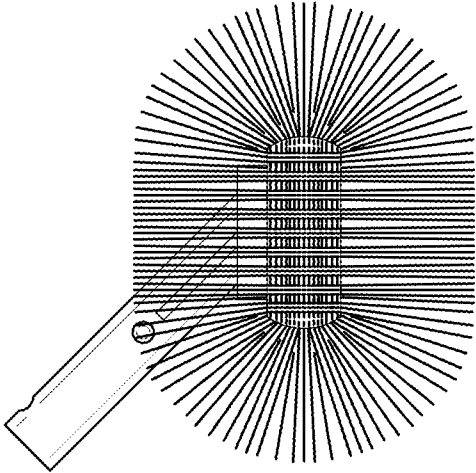


FIG. 3

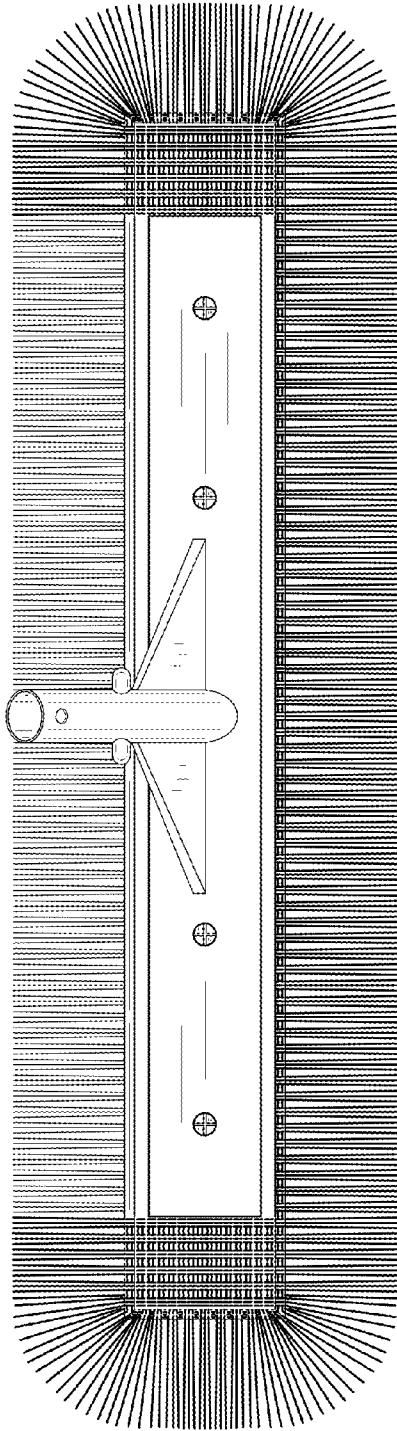


FIG. 4

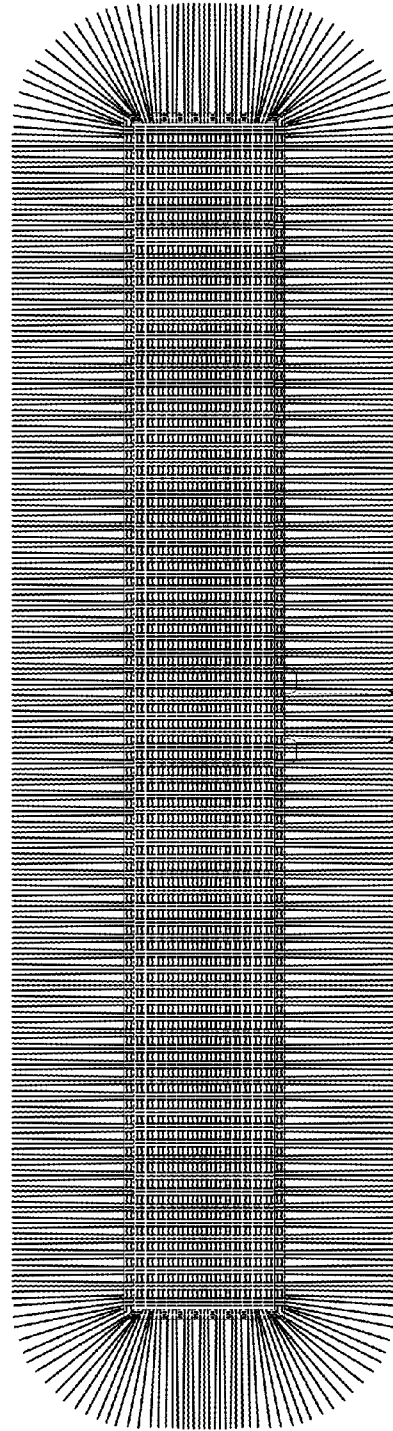


FIG. 5