



US00D896986S

(12) **United States Design Patent**
Feng et al.

(10) **Patent No.:** **US D896,986 S**

(45) **Date of Patent:** **** Sep. 22, 2020**

(54) **FENCE PANEL**

(71) Applicant: **BODO Plastics Company LTD**, Zibo, Shandong Province (CN)

(72) Inventors: **Sun Feng**, Zibo (CN); **Zhou Xuewei**, Zibo (CN); **Miao Wei**, Zibo (CN)

(**) Term: **15 Years**

(21) Appl. No.: **29/686,106**

(22) Filed: **Apr. 2, 2019**

(51) **LOC (12) Cl.** **25-02**

(52) **U.S. Cl.**
USPC **D25/38.1**

(58) **Field of Classification Search**
USPC D25/38.1, 41.1, 42, 43, 44, 119-126, D25/131, 132, 164, 199
CPC E04H 17/1417; E04H 17/1421; E04H 17/1426; E04H 17/1439; E04H 17/1443; E04H 17/16; E04H 17/165; E04H 17/168; E04H 17/20; E04H 2017/1447; E04H 2017/1478; E04H 2017/1482; E06B 11/02; A01K 3/005; E04F 11/18; E04F 11/1802; E04F 11/1808; E04F 11/181; E04F 11/1834; E04F 11/1836; E04F 11/1842; E04F 11/1865; E04F 15/02038; B66C 7/02; E01F 15/0453; B63B 17/04; E04B 1/8227; E04B 2/7414; E04B 2001/8423; E04B 2001/8433; E04B 2001/8447

See application file for complete search history.

(56) **References Cited**

U.S. PATENT DOCUMENTS

- 4,007,919 A * 2/1977 Totten A01K 3/00 256/59
- 5,988,599 A * 11/1999 Forbis E04H 17/1417 256/24
- D487,160 S * 2/2004 Forbis D25/126
- D487,316 S * 3/2004 Suwanda D25/138

- D503,000 S * 3/2005 Forbis D25/126
- D523,780 S * 6/2006 Conny D12/106
- D550,376 S * 9/2007 Hein D25/126
- 7,934,699 B2 5/2011 Zell
- D684,705 S * 6/2013 Curtas D25/119
- D686,347 S * 7/2013 Raivio D25/138

(Continued)

FOREIGN PATENT DOCUMENTS

- AU 2012216706 3/2013
- AU 2013100109 3/2013
- CN 203383680 1/2014

OTHER PUBLICATIONS

White Privacy Vinyl Fence http://www.valleyfence.net/white_privacy_vinyl_fence.html Available Oct. 3, 2017 (Year: 2017).*

Primary Examiner — Leanne Was-Englehart

(57) **CLAIM**

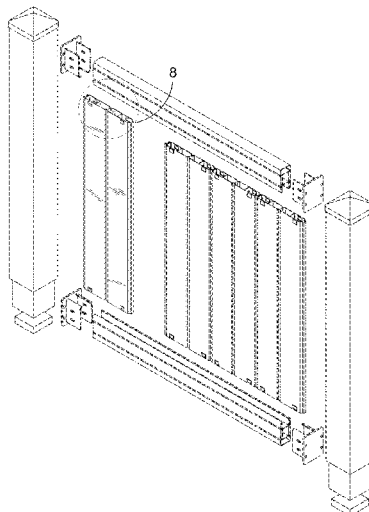
The ornamental design for a fence panel, as shown and described.

DESCRIPTION

FIG. 1 is a front view of a fence panel showing my new design;
 FIG. 2 is a rear view of the fence panel;
 FIG. 3 is a right side view of the fence panel;
 FIG. 4 is a left side view of the fence panel;
 FIG. 5 is a top view of the fence panel;
 FIG. 6 is a bottom view of the fence panel;
 FIG. 7 is a top front side perspective exploded view of the fence panel in use; and,
 FIG. 8 is a detailed top front side perspective view taken from FIG. 7.

The dot-dot-dash broken line circles in FIGS. 7 and 8 depict the limits of the enlarged/detail view and form no part of the claimed design. The other broken lines in FIGS. 7 and 8 are illustrative of environmental structure forming no part of the claimed design.

1 Claim, 4 Drawing Sheets



(56)

References Cited

U.S. PATENT DOCUMENTS

8,769,904 B1 * 7/2014 Brandt E04F 15/02038
52/177
D713,546 S * 9/2014 Murray D25/38.1
9,366,055 B1 * 6/2016 Wright E04H 17/00
9,476,220 B2 10/2016 Williams, Sr.
D865,224 S * 10/2019 Harrison D25/155
2007/0045602 A1 * 3/2007 Hathorn, Jr. E04H 17/16
256/24
2007/0062146 A1 * 3/2007 Van Dijk E04B 1/12
52/580
2007/0181865 A1 * 8/2007 Hein E04H 17/16
256/24
2008/0142772 A1 6/2008 Amendola
2009/0078923 A1 3/2009 McGinness
2012/0319067 A1 12/2012 Millar
2016/0066536 A1 3/2016 Fitzgerald
2016/0362909 A1 * 12/2016 Yin E04H 17/1408
2018/0073297 A1 3/2018 Wright
2019/0177997 A1 * 6/2019 Springborn E04H 17/168

* cited by examiner

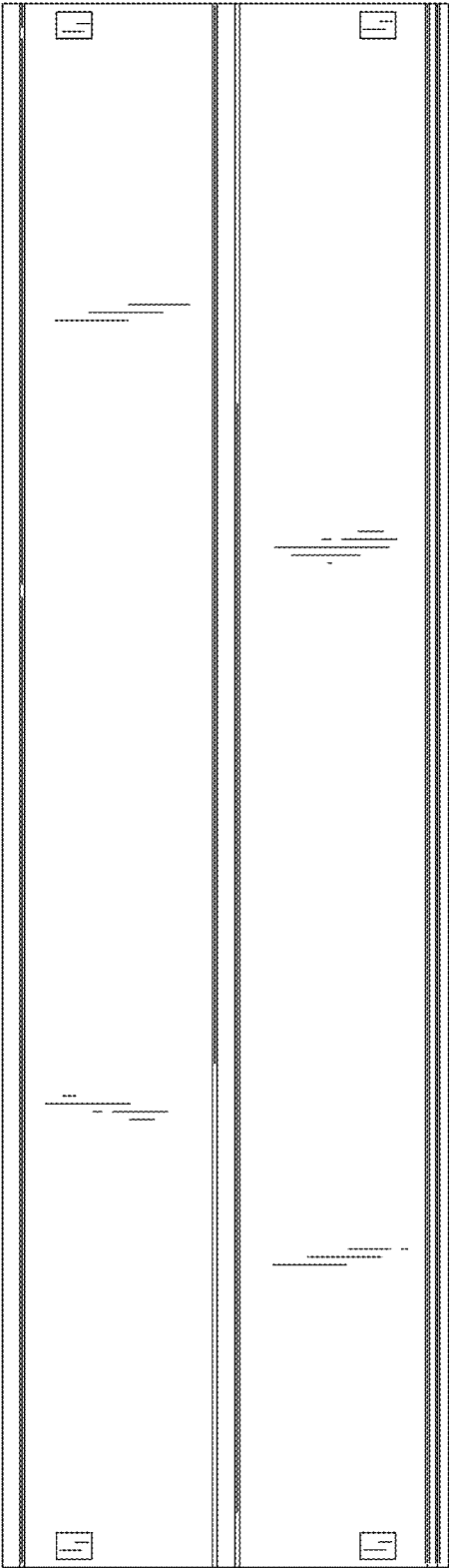


FIG. 1

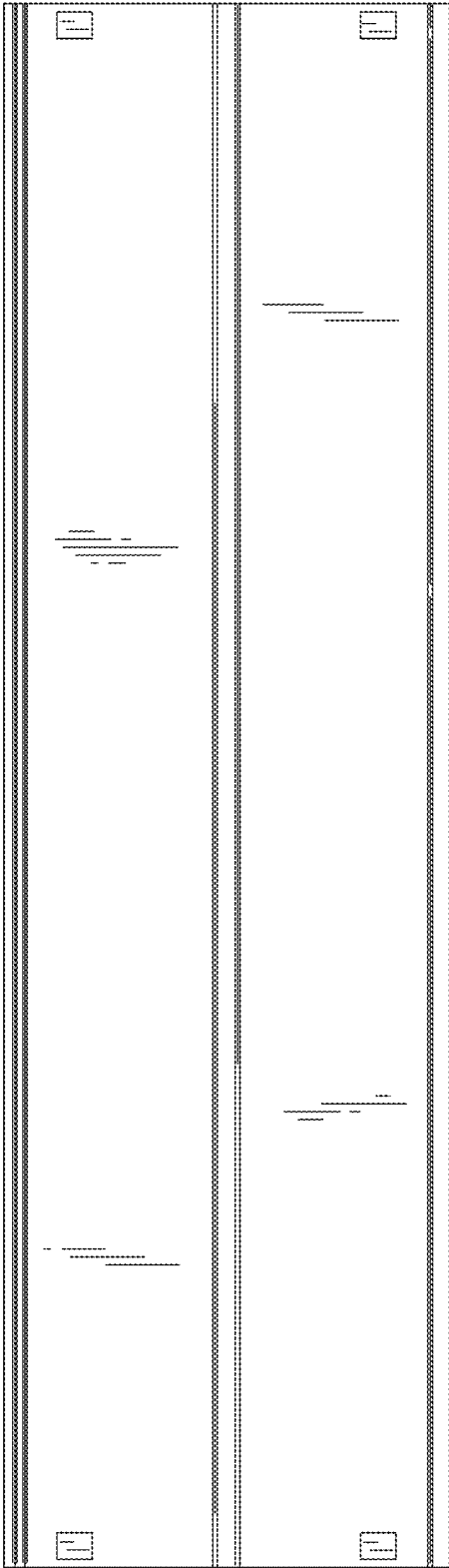


FIG. 2



FIG. 3

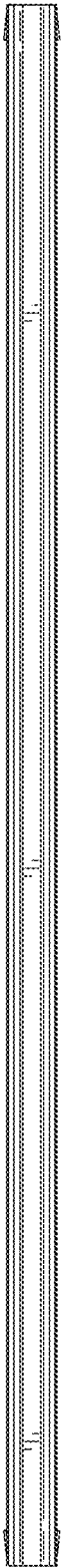


FIG. 4

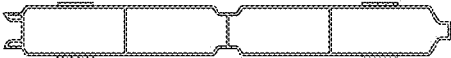


FIG. 5

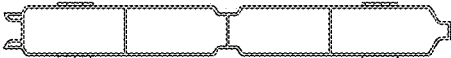
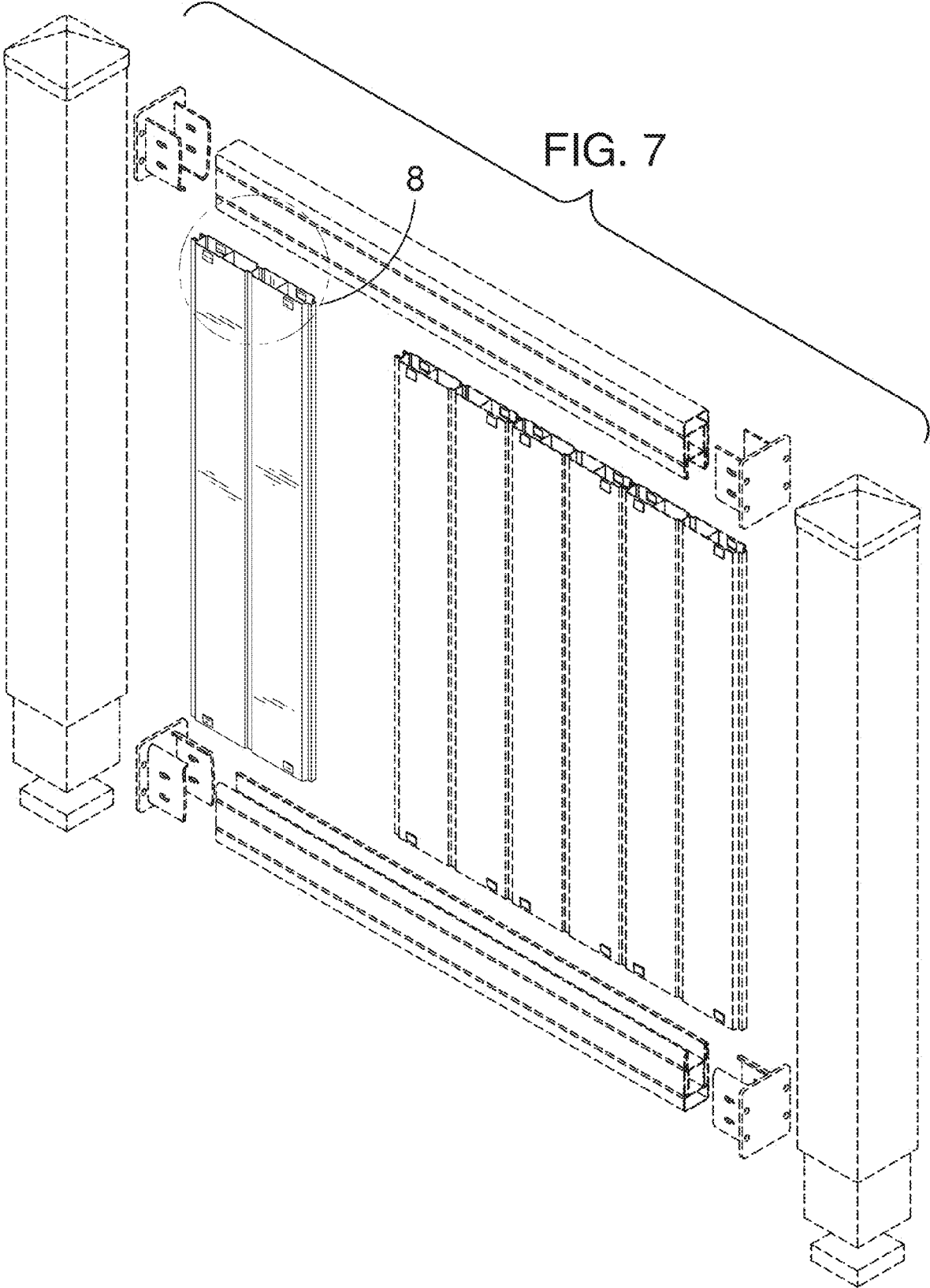


FIG. 6



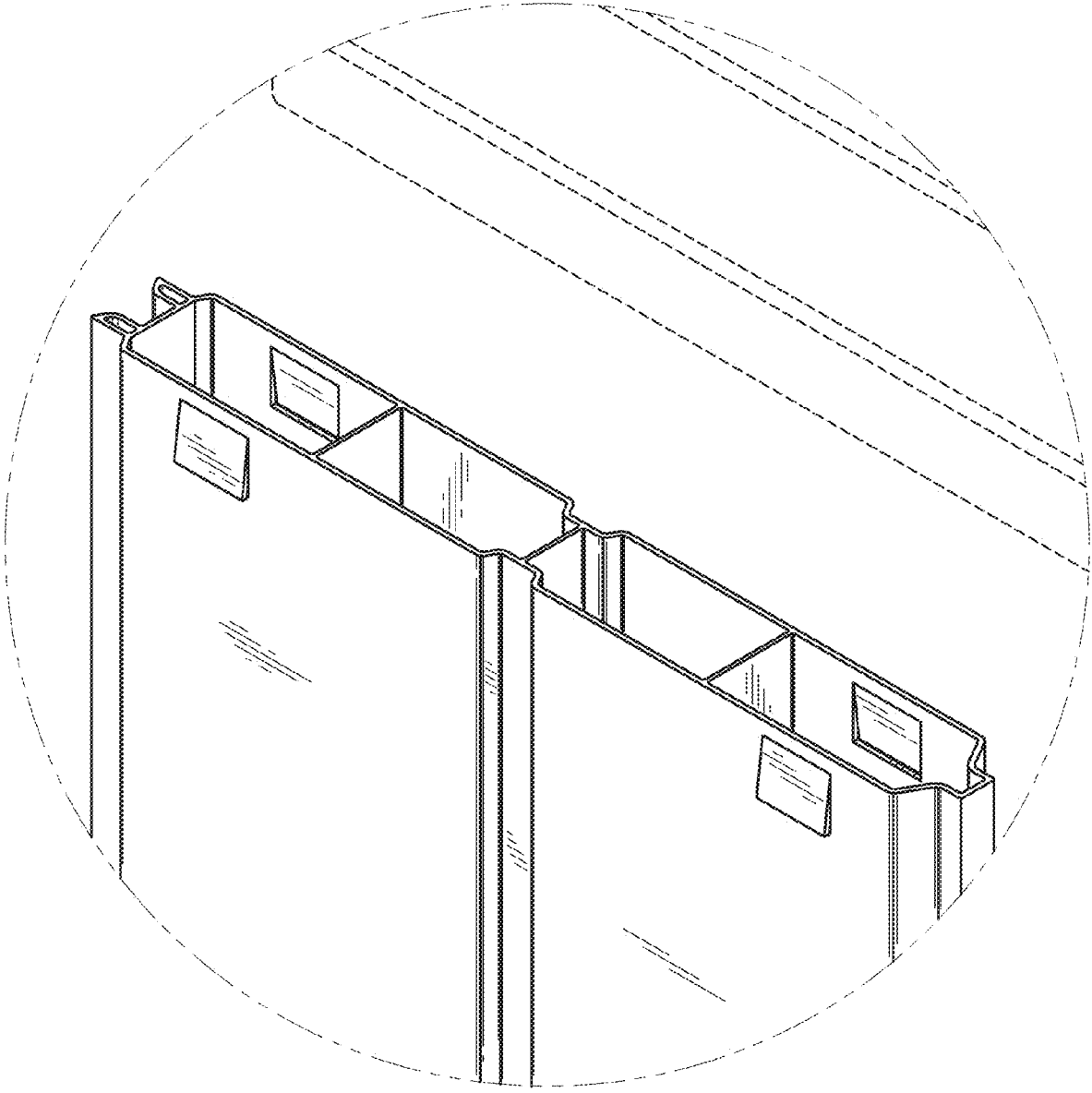


FIG. 8