



US0D1069282S

(12) **United States Design Patent**  
**Lopez et al.**

(10) **Patent No.:** **US D1,069,282 S**

(45) **Date of Patent:** **\*\* Apr. 1, 2025**

- (54) **FLOOR POLISHING ARMATURE**
- (71) Applicants: **Javier Lopez**, Yorba Linda, CA (US);  
**Sergio Gamez**, Yorba Linda, CA (US)
- (72) Inventors: **Javier Lopez**, Yorba Linda, CA (US);  
**Sergio Gamez**, Yorba Linda, CA (US)

D1,011,669 S \* 1/2024 Fan ..... D32/40  
 D1,052,528 S \* 11/2024 Stockman ..... D13/124  
 2004/0025248 A1 \* 2/2004 Lang ..... E03C 1/05  
 4/623  
 2019/0054593 A1 \* 2/2019 Hahne ..... B24B 7/186  
 2024/0051077 A1 \* 2/2024 Lopez ..... B24D 7/066  
 2024/0238941 A1 \* 7/2024 Hayes ..... B24D 15/02  
 2024/0286239 A1 \* 8/2024 Kinsey ..... B24B 7/186

(\*\*) Term: **15 Years**

**FOREIGN PATENT DOCUMENTS**

(21) Appl. No.: **29/849,393**

IN 354933-001 \* 3/2023

(22) Filed: **Aug. 10, 2022**

\* cited by examiner

(51) **LOC (15) Cl.** ..... **15-05**

*Primary Examiner* — Kevin K Rudzinski

(52) **U.S. Cl.**

*Assistant Examiner* — Richard E Yenchesky

USPC ..... **D32/15**

(74) *Attorney, Agent, or Firm* — Clement Cheng

(58) **Field of Classification Search**

(57) **CLAIM**

USPC ..... D4/102, 137, 138; D8/70; D32/1, 4, 5,  
 D32/15-35, 38-40  
 CPC ..... B24B 7/18; B24B 7/186; B24D 15/02;  
 B24D 23/028; B24D 45/006; B24D 55/02  
 See application file for complete search history.

The ornamental design for a floor polishing armature as shown and described.

**DESCRIPTION**

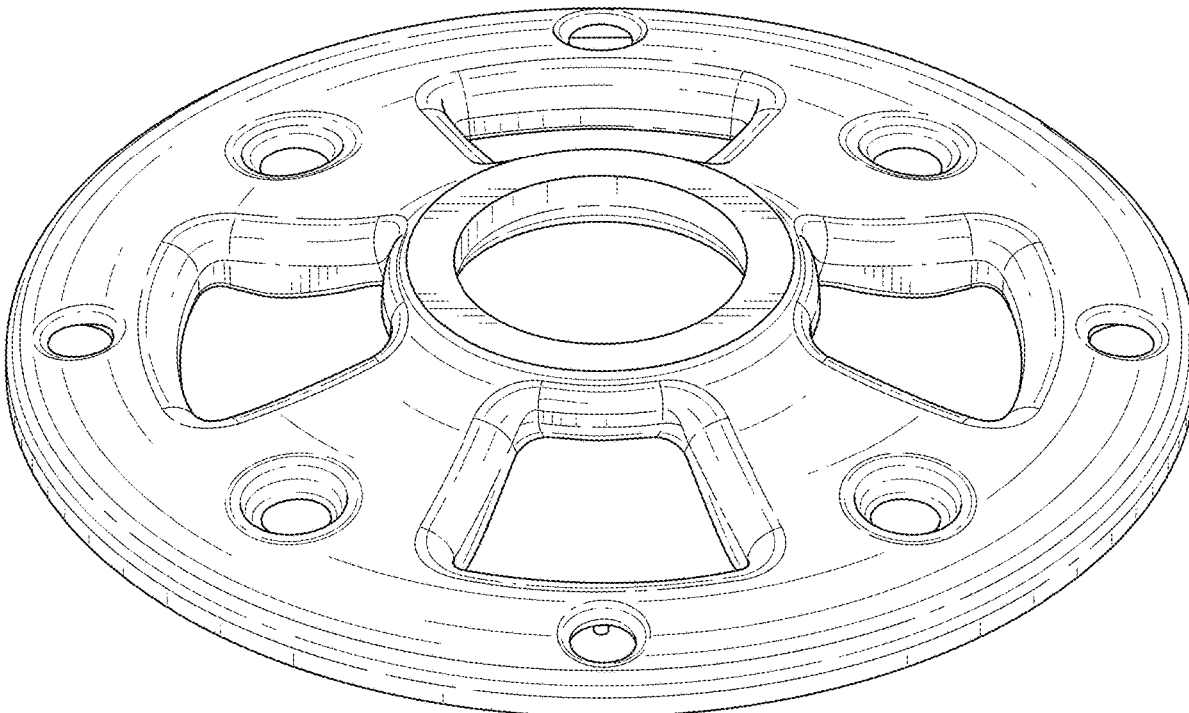
(56) **References Cited**

**U.S. PATENT DOCUMENTS**

5,607,488 A \* 3/1997 Wiand ..... B24B 7/22  
 51/307  
 D409,340 S \* 5/1999 Winter ..... D32/25  
 D477,120 S \* 7/2003 Niewiarowski ..... D32/15  
 D588,314 S \* 3/2009 Sajakorpi ..... A46B 9/00  
 D32/25  
 D919,396 S \* 5/2021 Tchakarov ..... D8/70  
 D1,011,668 S \* 1/2024 Fan ..... D32/40

FIG. 1 is a top perspective view.  
 FIG. 2 is a bottom perspective view.  
 FIG. 3 is a left side view.  
 FIG. 4 is a right side view.  
 FIG. 5 is a front view.  
 FIG. 6 is a back view.  
 FIG. 7 is a top view.  
 FIG. 8 is a bottom view; and,  
 FIG. 9 is a cross section view taken from line 9-9 in FIG. 7.

**1 Claim, 7 Drawing Sheets**



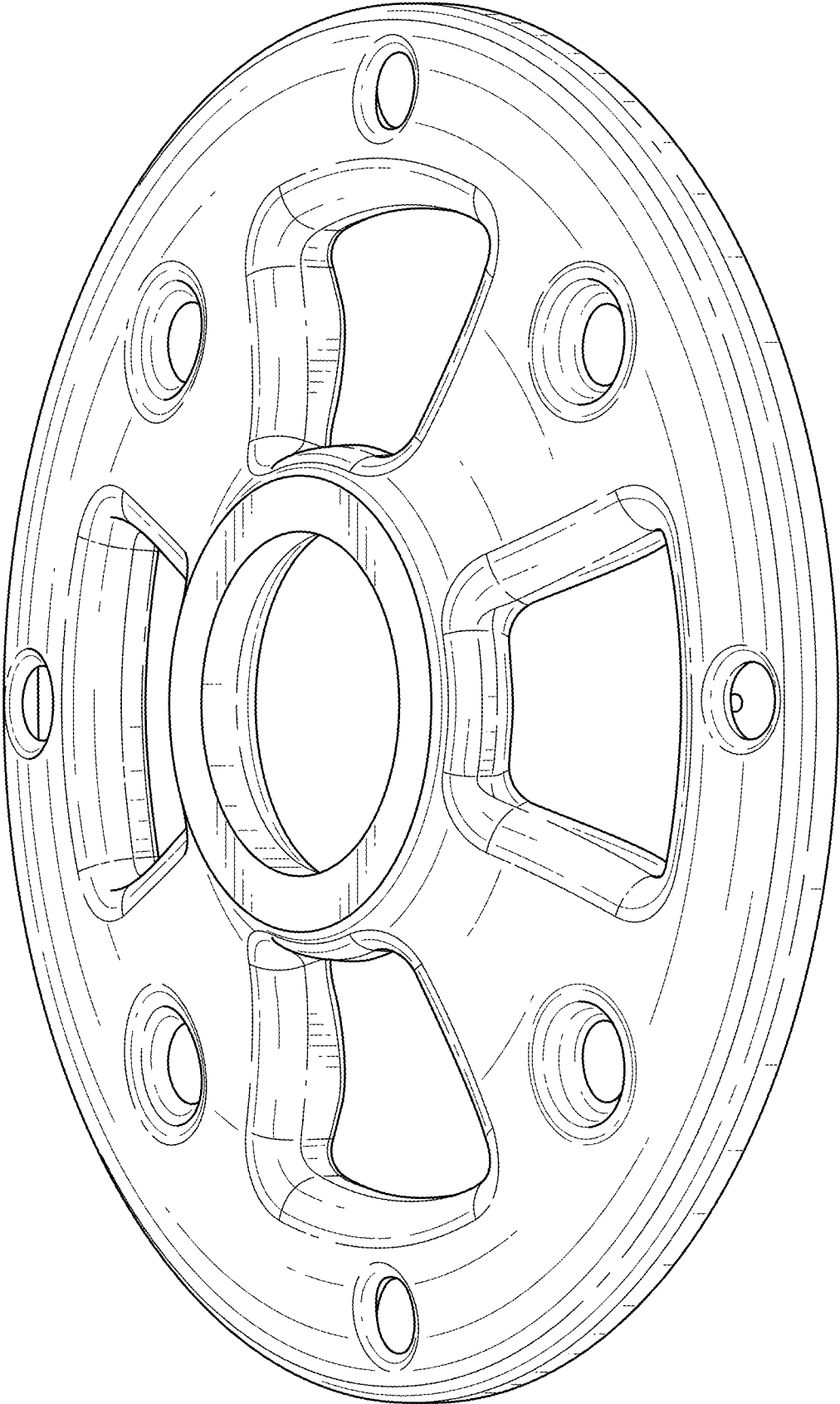


FIG. 1

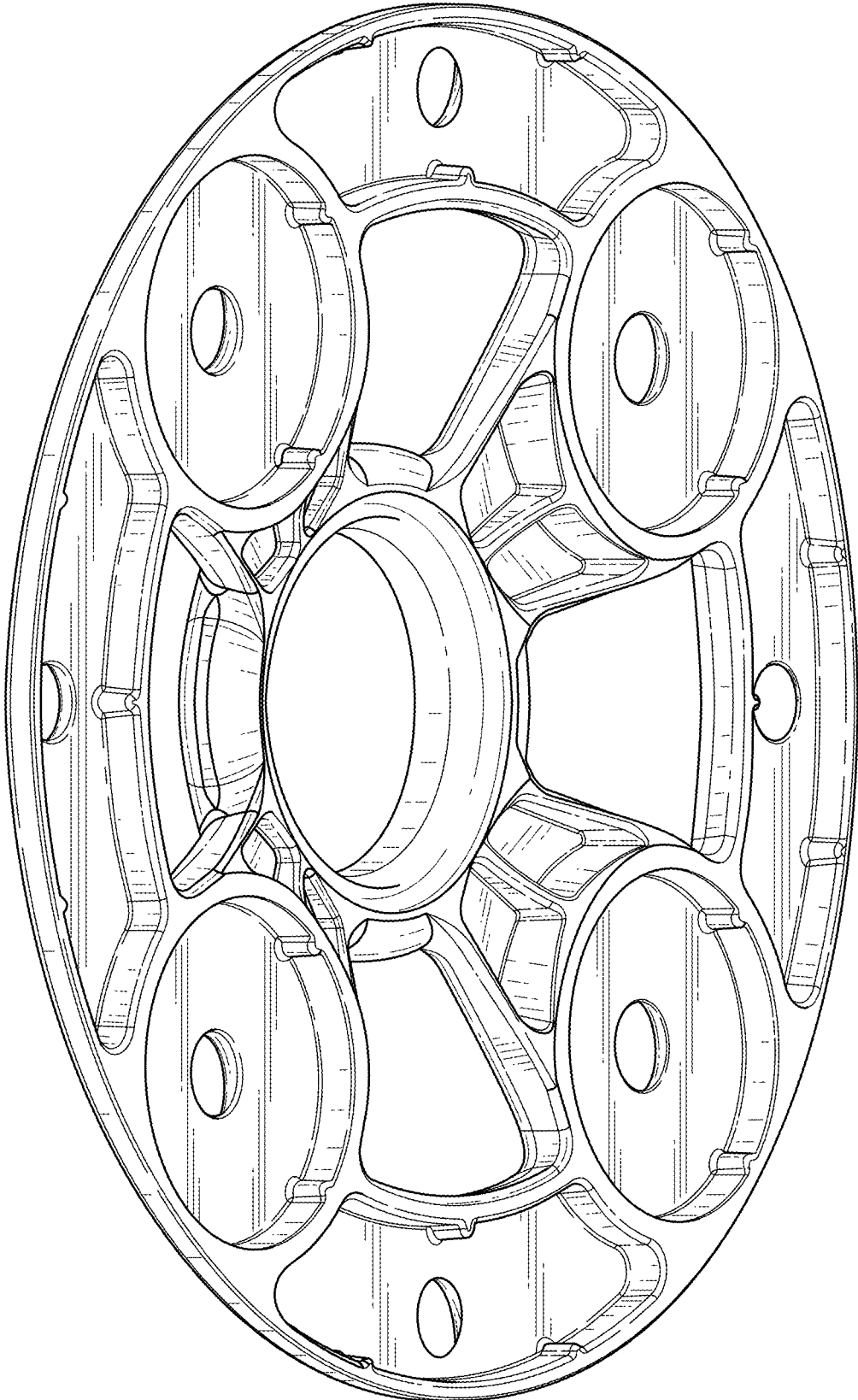


FIG. 2

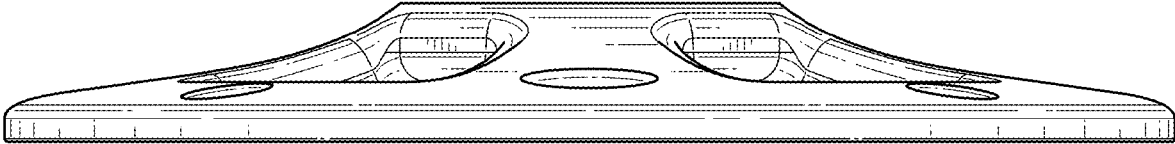


FIG. 3

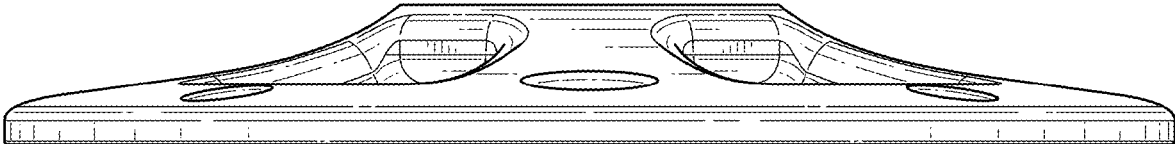


FIG. 4

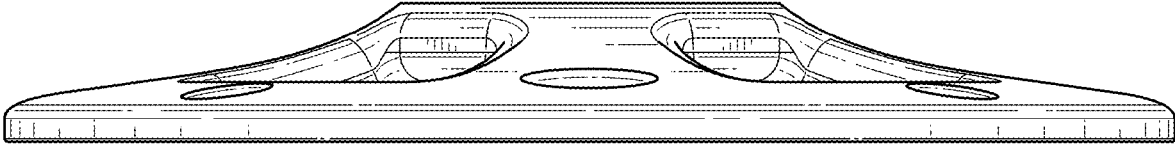


FIG. 5

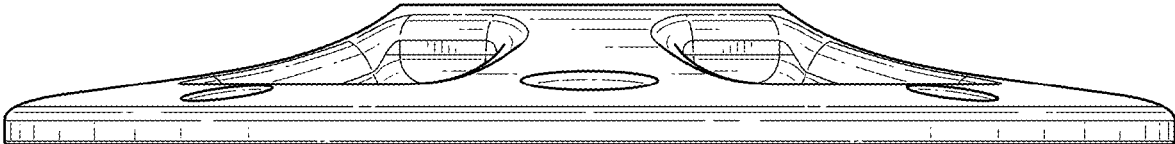


FIG. 6

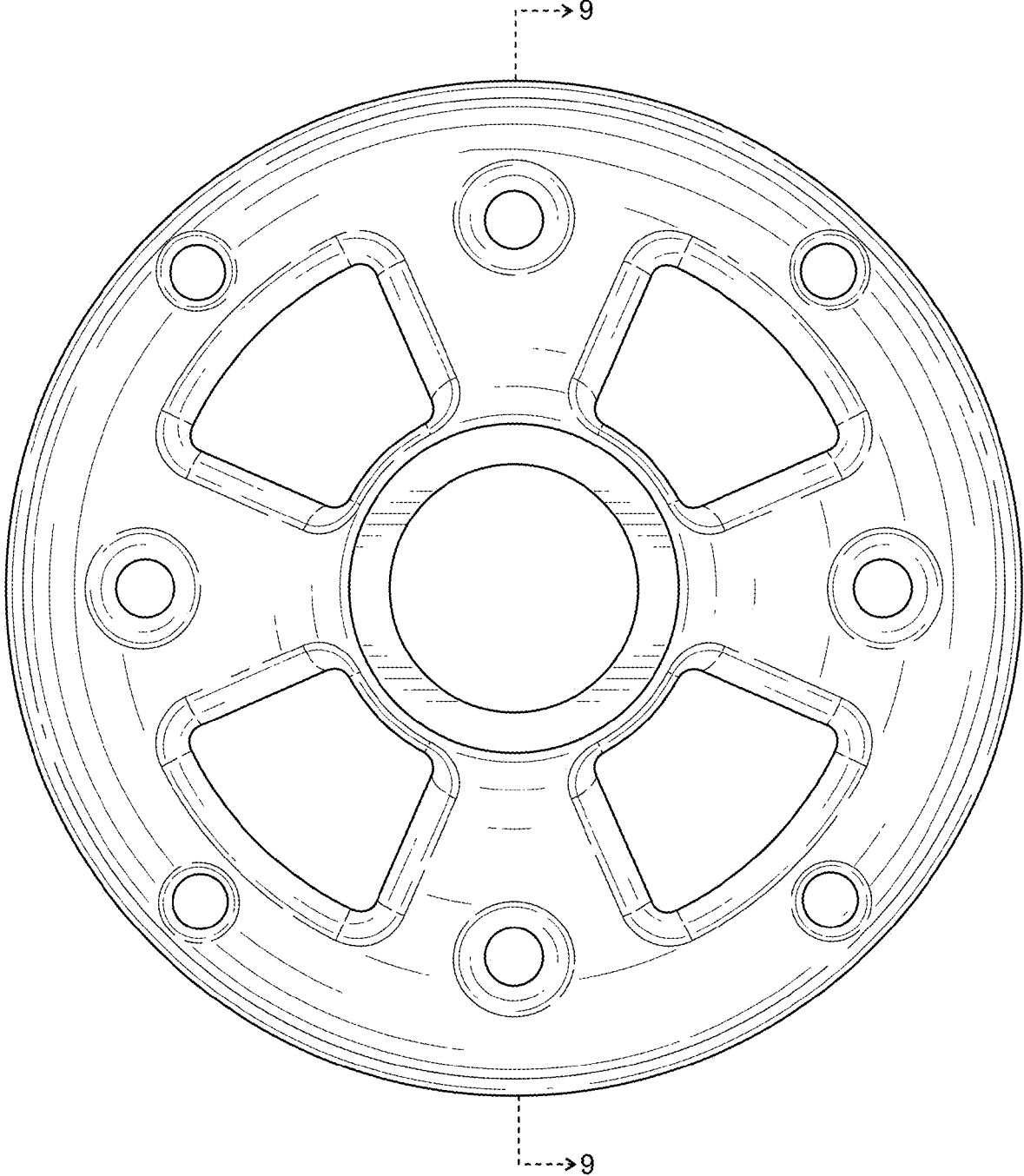


FIG. 7

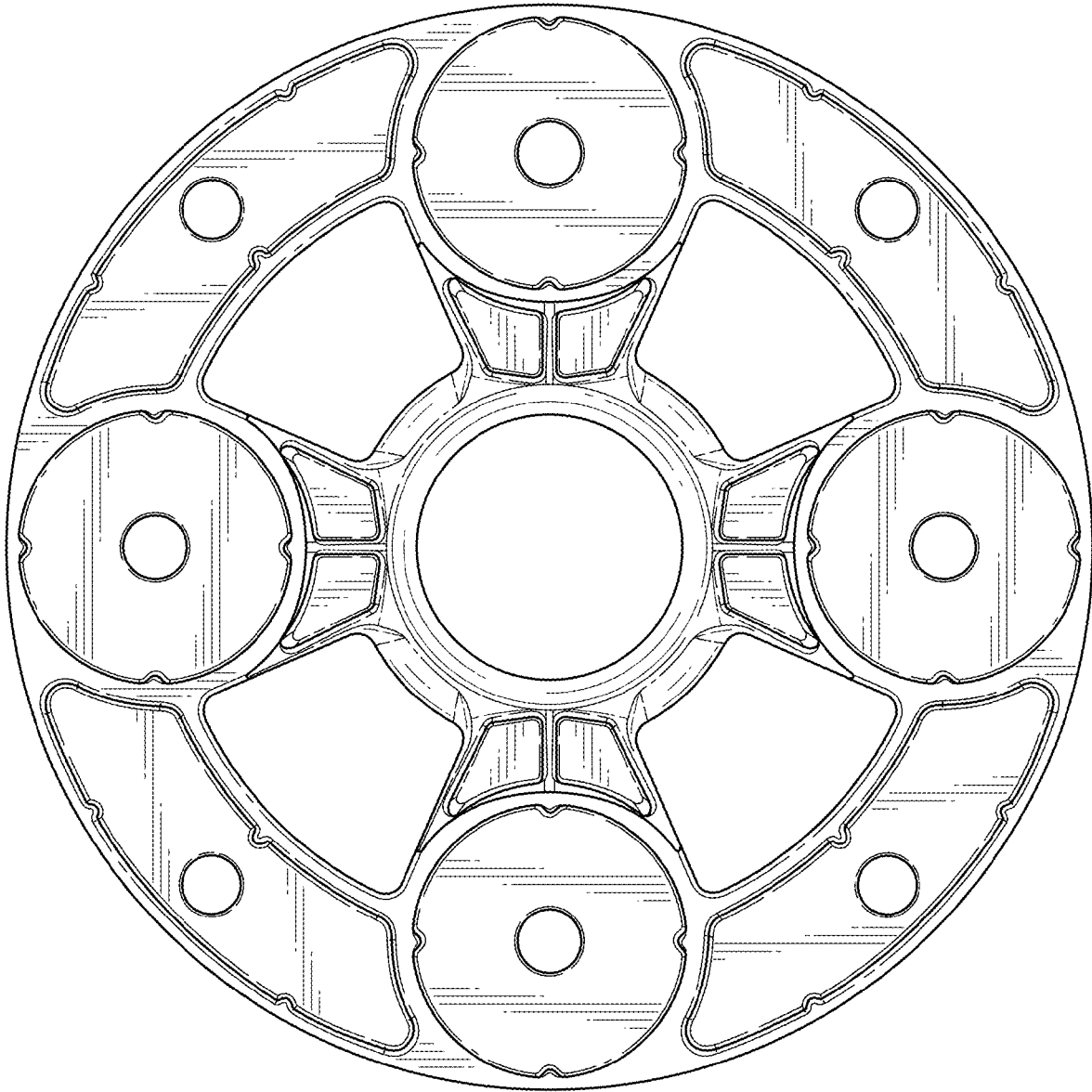


FIG. 8

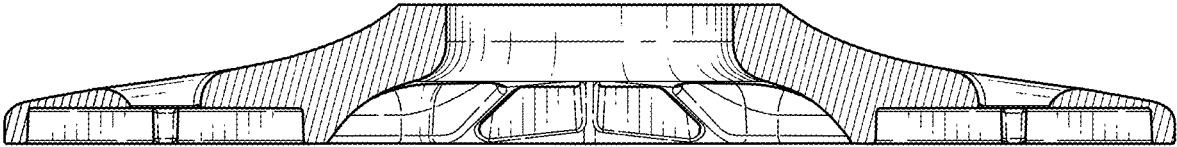


FIG. 9