



US00RE45646E

(19) **United States**
(12) **Reissued Patent**
Ciungan et al.

(10) **Patent Number:** **US RE45,646 E**
(45) **Date of Reissued Patent:** **Aug. 11, 2015**

(54) **MOUNT**

Primary Examiner — Phillip S Hyder

(71) Applicant: **Peerless Industries, Inc.**, Aurora, IL
(US)

(74) *Attorney, Agent, or Firm* — Foley & Lardner LLP

(72) Inventors: **Marcel Ciungan**, Arlington Heights, IL
(US); **Dugan O'Keene**, Forest Park, IL
(US)

(57) **CLAIM**

We claim the ornamental design for [an articulating mount unit] *a mount*, as shown and described.

(73) Assignee: **Peerless Industries, Inc.**, Aurora, IL
(US)

DESCRIPTION

(21) Appl. No.: **29/469,200**

[FIG. 1 is a perspective view of the articulating mount unit showing our new design;]

(22) Filed: **Oct. 8, 2013**

[FIG. 2 is a left side view thereof;]

Related U.S. Patent Documents

Reissue of:

(64) Patent No.: **Des. 558,562**
Issued: **Jan. 1, 2008**
Appl. No.: **29/264,330**
Filed: **Aug. 8, 2006**

[FIG. 3 is a right side view thereof;]

[FIG. 4 is a front view thereof;]

[FIG. 5 is a rear view thereof;]

[FIG. 6 is a top plan view thereof;]

[FIG. 7 is a bottom view thereof;]

[FIG. 8 is a perspective view of another embodiment of the articulating mount unit showing our new design;]

U.S. Applications:

(62) Division of application No. 29/335,520, filed on Apr. 16, 2009, now Pat. No. Re. 44,515, which is an application for the reissue of Pat. No. Des. 558,562.

[FIG. 9 is a left side view of the articulating mount unit in FIG. 8;]

(51) **LOC (10) Cl.** **08-05**

[FIG. 10 is a right side view of the articulating mount unit in FIG. 8;]

(52) **U.S. Cl.**

USPC **D8/363**
Field of Classification Search
USPC D8/354, 363, 239; D14/451-452, 375,
D14/433; 248/593, 586, 274.4, 284.1;
455/561; 343/878-892

[FIG. 11 is a front view of the articulating mount unit in FIG. 8;]

[FIG. 12 is rear view of the articulating mount unit in FIG. 8;]

[FIG. 13 is a top plan view of the articulating mount unit in FIG. 8; and,]

[FIG. 14 is a bottom view of the articulating mount unit in FIG. 8.]

FIG. 15 is a perspective view of a mount showing our new design;

FIG. 16 is a front view thereof;

FIG. 17 is a rear view thereof;

FIG. 18 is a right side view thereof;

FIG. 19 is a left side view thereof;

FIG. 20 is a top plan view thereof; and,

FIG. 21 is a bottom plan view thereof.

The broken lines in the drawings are for illustrative purposes only and form no part of the claimed design.

See application file for complete search history.

(56) **References Cited**

U.S. PATENT DOCUMENTS

5,751,548 A * 5/1998 Hall et al. 361/686
6,095,467 A * 8/2000 Neuhof 248/278.1

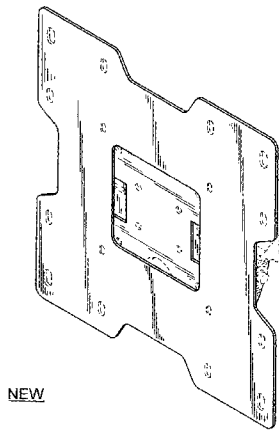
(Continued)

OTHER PUBLICATIONS

"Installation and Assembly: Articulating LCD Wall Arm," Installation Instructions. Peerless Industries, Inc., Issued May 18, 2005.

1 Claim, 16 Drawing Sheets

Matter enclosed in heavy brackets [] appears in the original patent but forms no part of this reissue; matter printed in italics indicates the additions made by reissue.



(56)

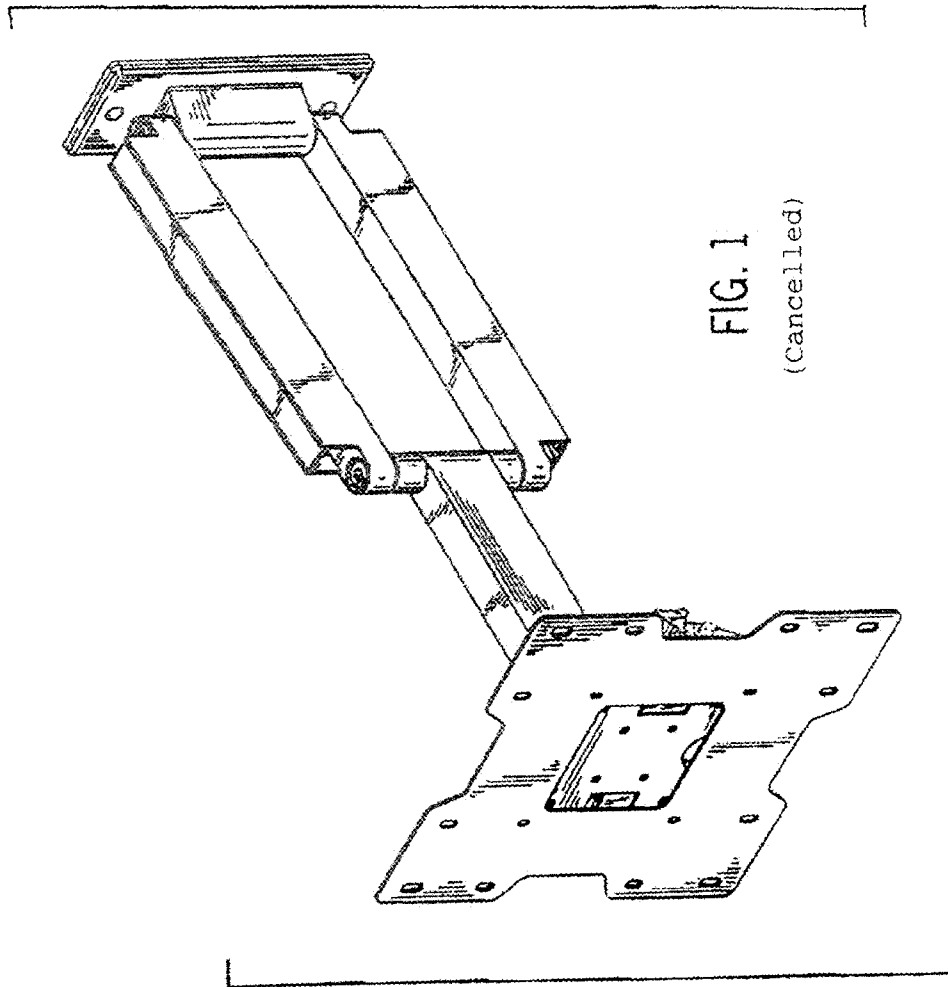
References Cited

U.S. PATENT DOCUMENTS

D455,949 S * 4/2002 Huang D8/373
 6,478,275 B1 * 11/2002 Huang 248/284.1
 D472,793 S 4/2003 Callahan et al.
 6,554,238 B1 * 4/2003 Hibberd 248/278.1
 6,695,270 B1 * 2/2004 Smed 248/274.1
 D488,708 S 4/2004 Lam et al.
 D489,377 S * 5/2004 van Kuijk D14/451
 D489,599 S 5/2004 Lam
 D494,978 S * 8/2004 Pfister D14/451
 D495,713 S * 9/2004 Pfister et al. D14/451
 D496,367 S 9/2004 Pfister
 D503,858 S 4/2005 Ricci
 6,905,101 B1 6/2005 Dittmer
 D507,477 S 7/2005 Pfister
 7,028,961 B1 4/2006 Dittmer et al.

D538,633 S 3/2007 Ly Hau et al.
 D539,123 S 3/2007 Ly Hau et al.
 D543,548 S 5/2007 Muday et al.
 D558,560 S 1/2008 Ciungan
 D558,561 S 1/2008 Ciungan
 D558,563 S 1/2008 Ciungan
 D558,564 S 1/2008 Ciungan
 D559,085 S 1/2008 Ciungan
 D559,087 S 1/2008 Ciungan
 D559,088 S 1/2008 Ciungan
 D560,674 S 1/2008 Wohlford et al.
 D560,675 S * 1/2008 Wohlford et al. D14/451
 D560,677 S * 1/2008 Wohlford et al. D14/451
 D588,563 S 3/2009 Oh et al.
 2004/0245420 A1 12/2004 Pfister et al.
 2005/0263659 A1 12/2005 Pfister et al.
 2005/0263671 A1 12/2005 Lo

* cited by examiner



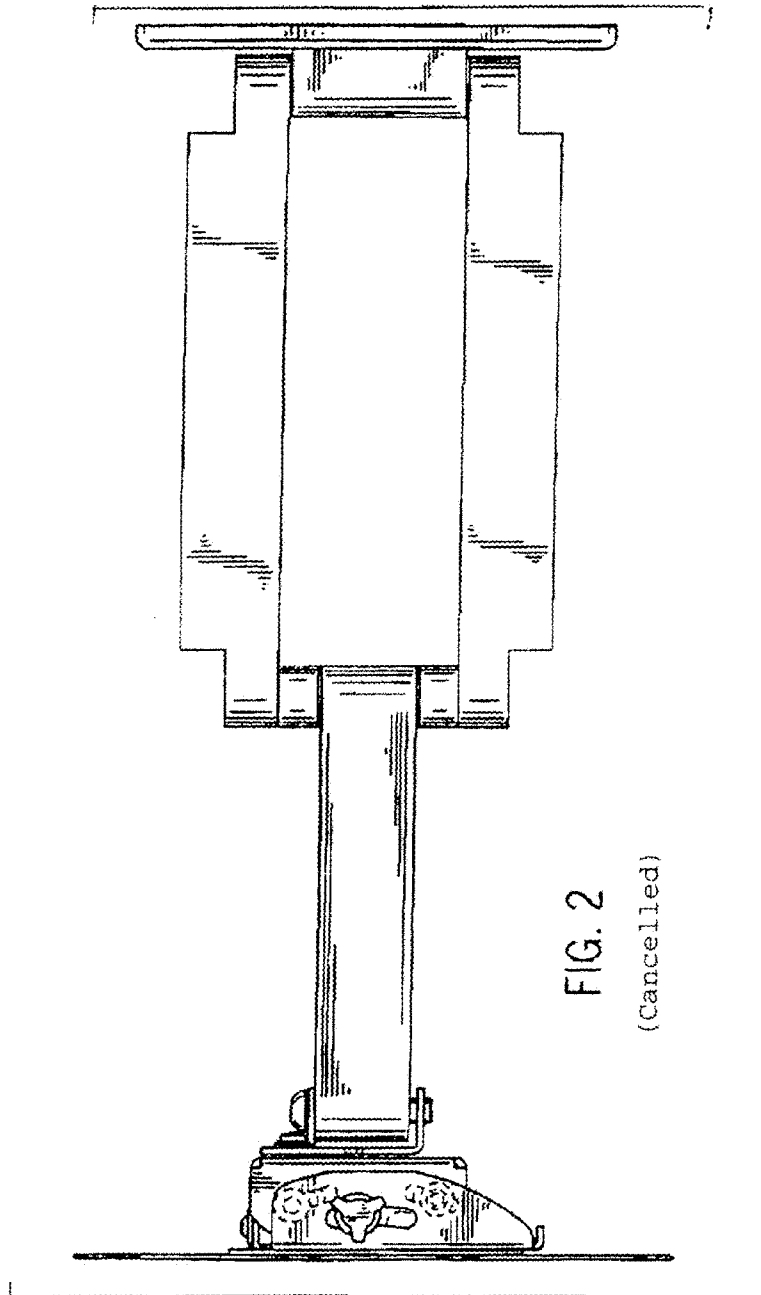


FIG. 2

(Cancelled)

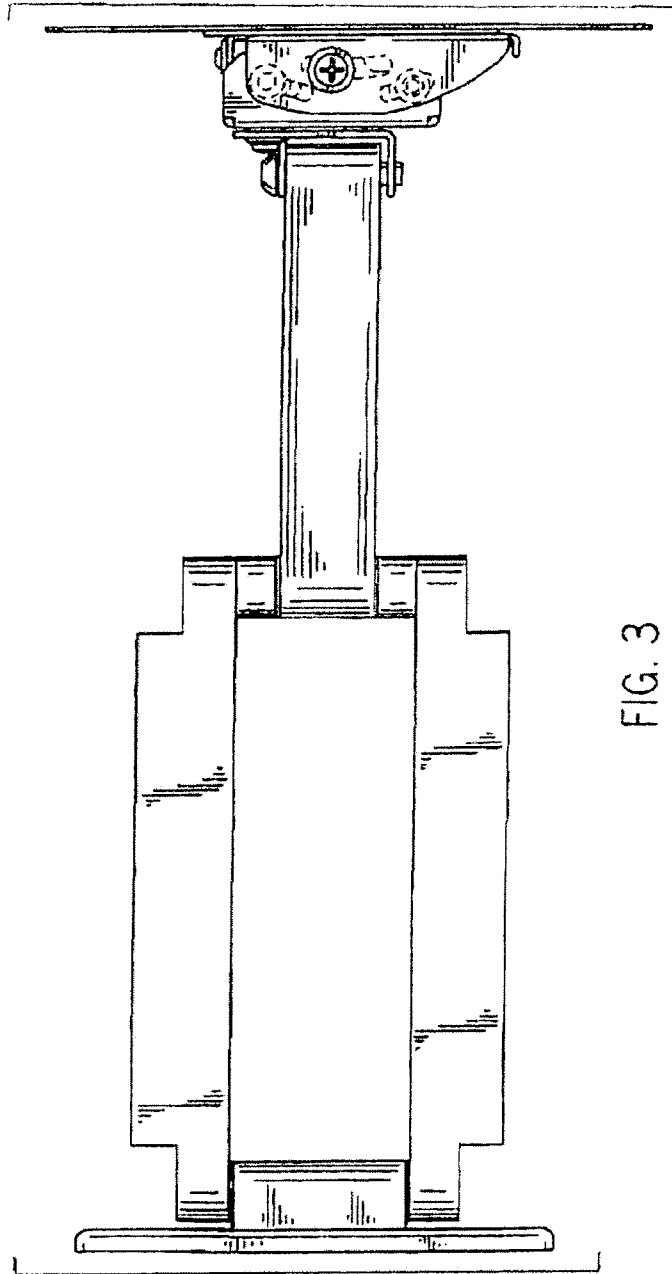


FIG. 3

(Cancelled)

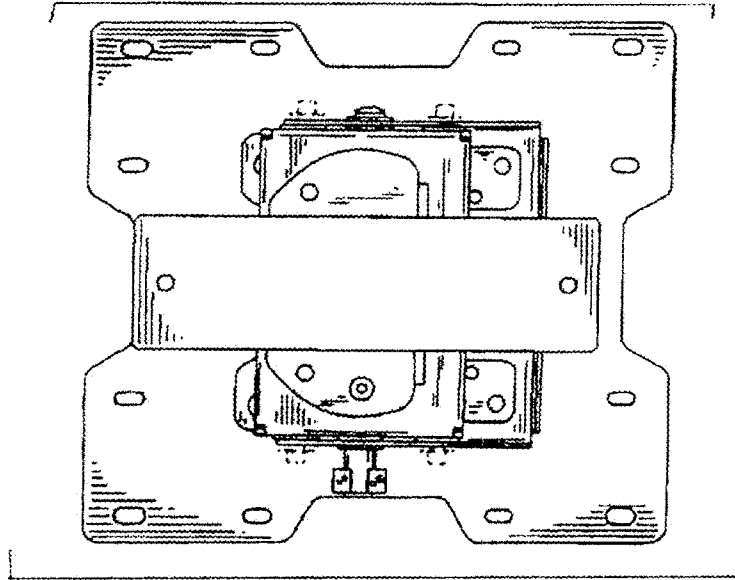


FIG. 5
(Cancelled)

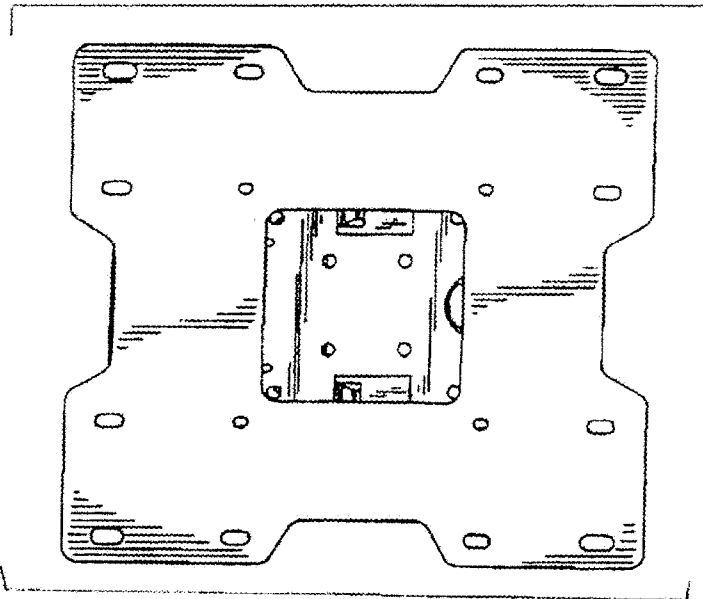


FIG. 4
(Cancelled)

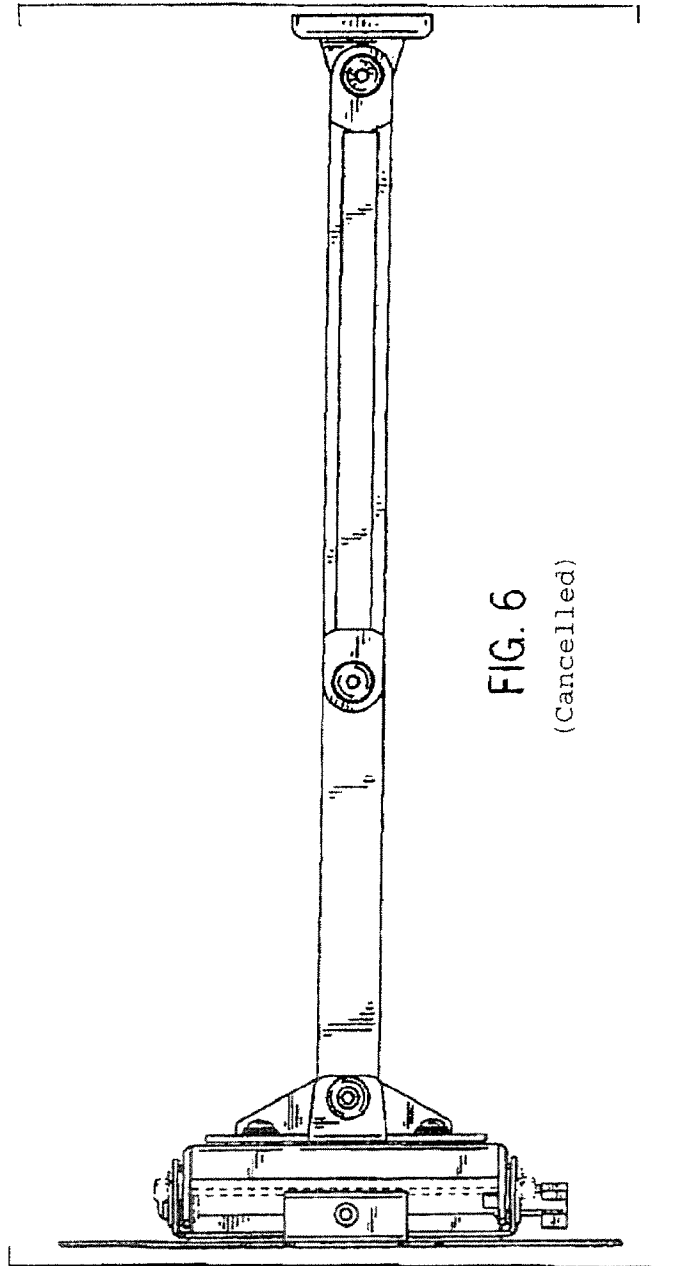


FIG. 6

(Cancelled)

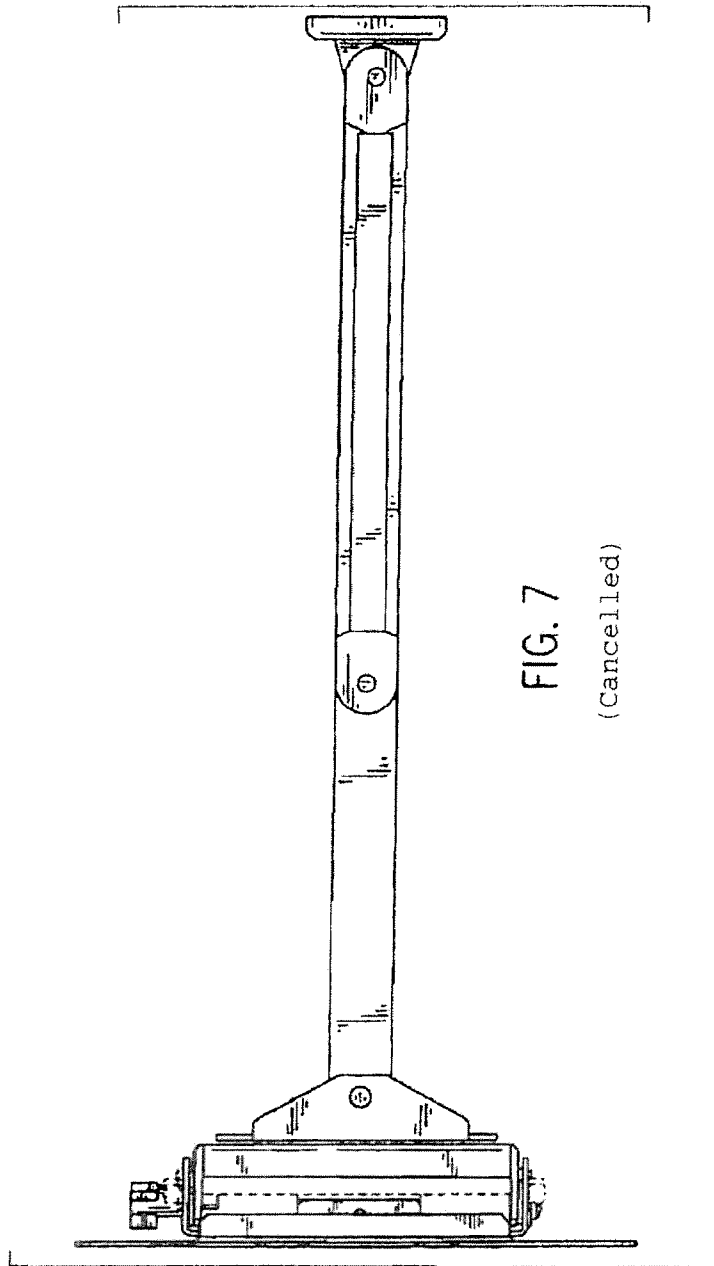


FIG. 7

(Cancelled)

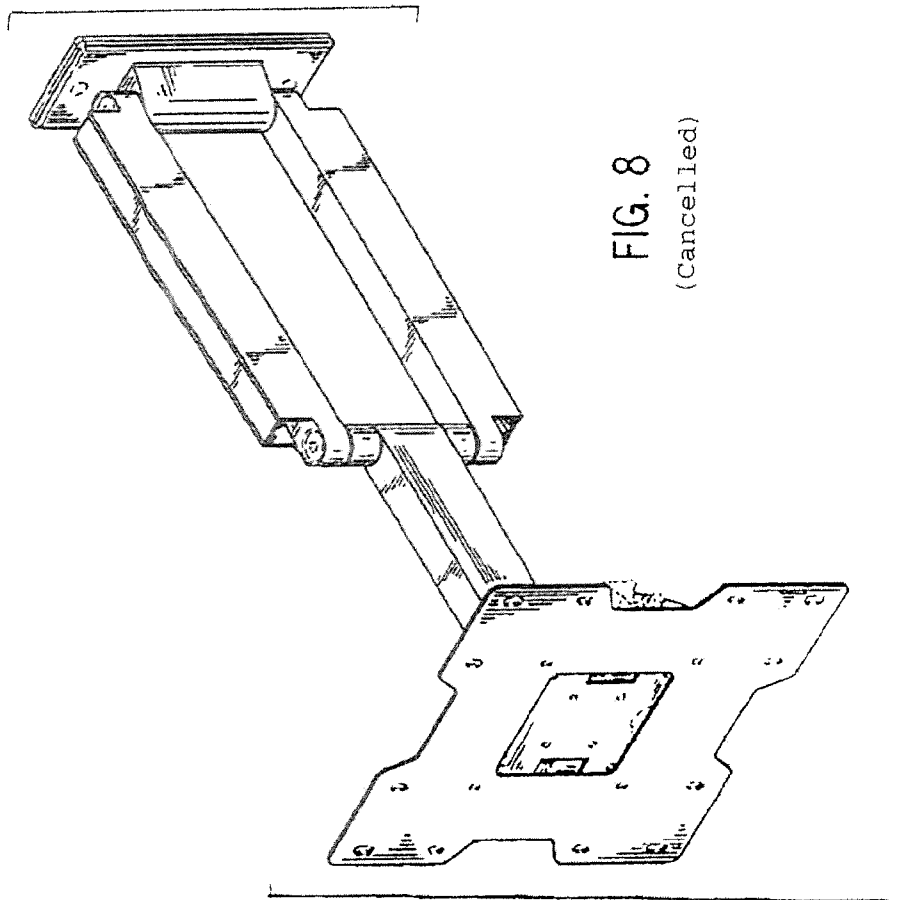


FIG. 8
(Cancelled)

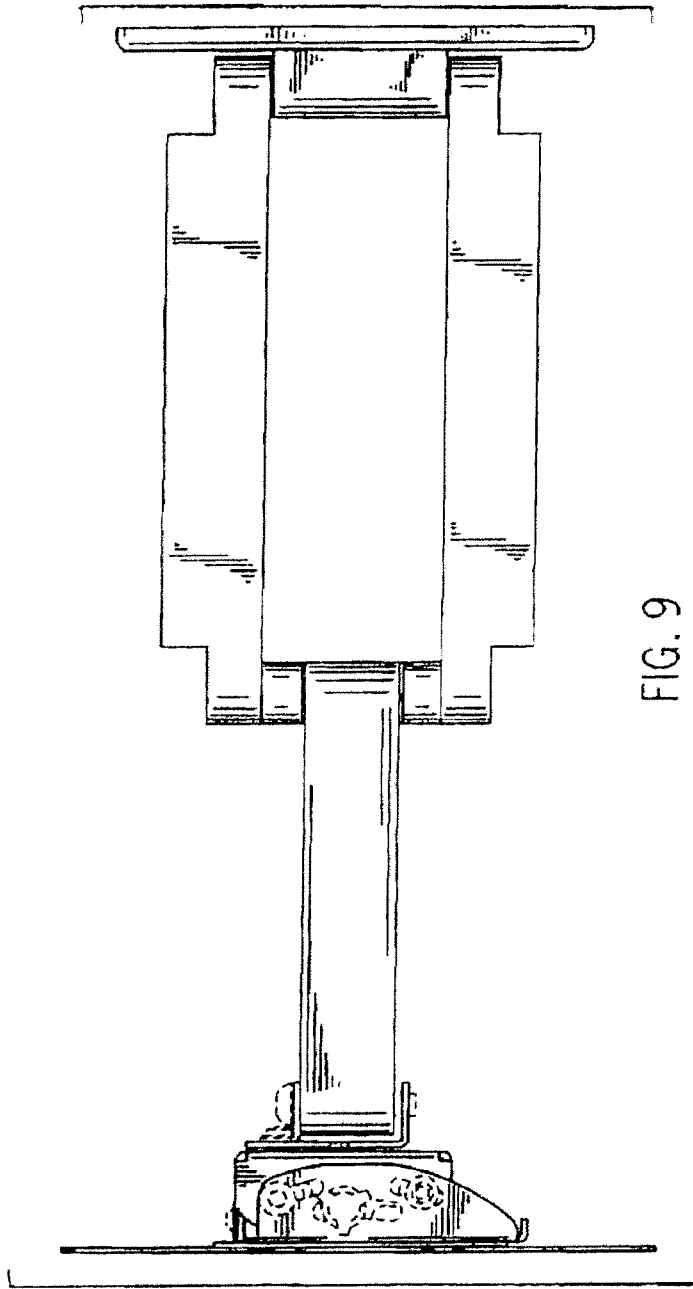


FIG. 9

(Cancelled)

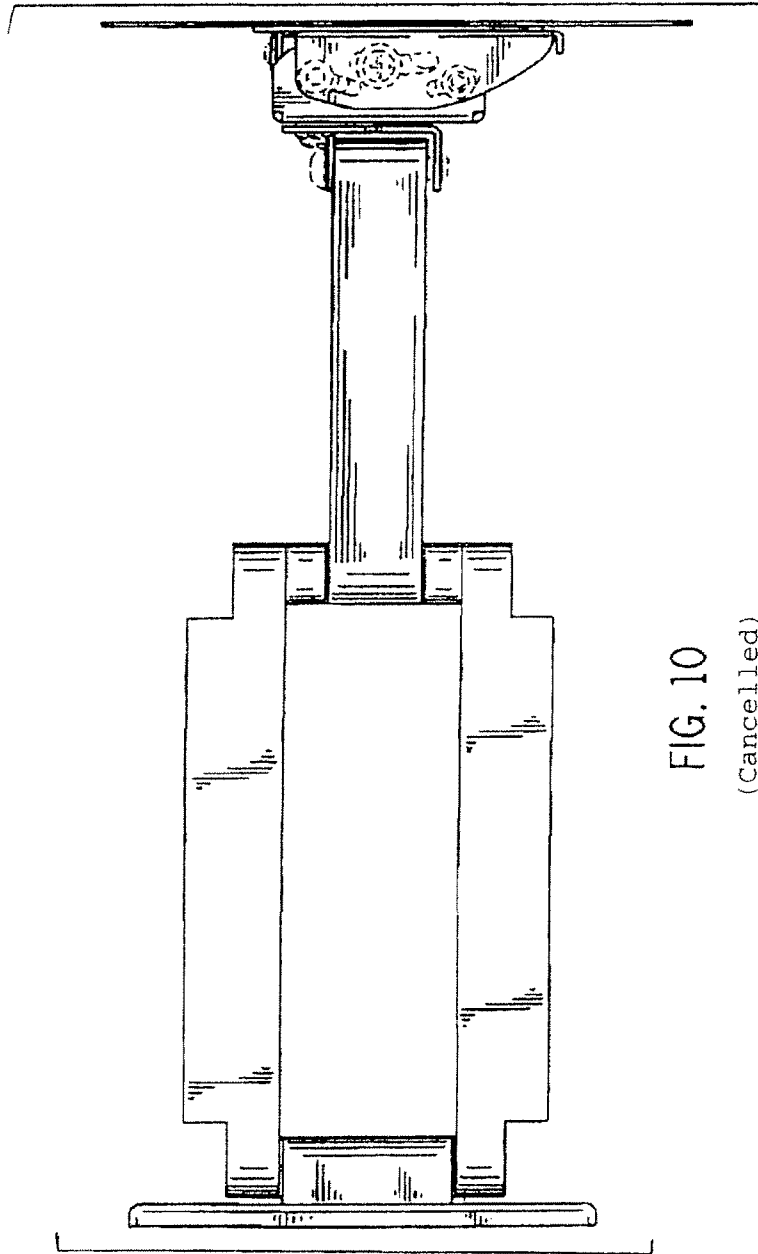


FIG. 10

(Cancelled)

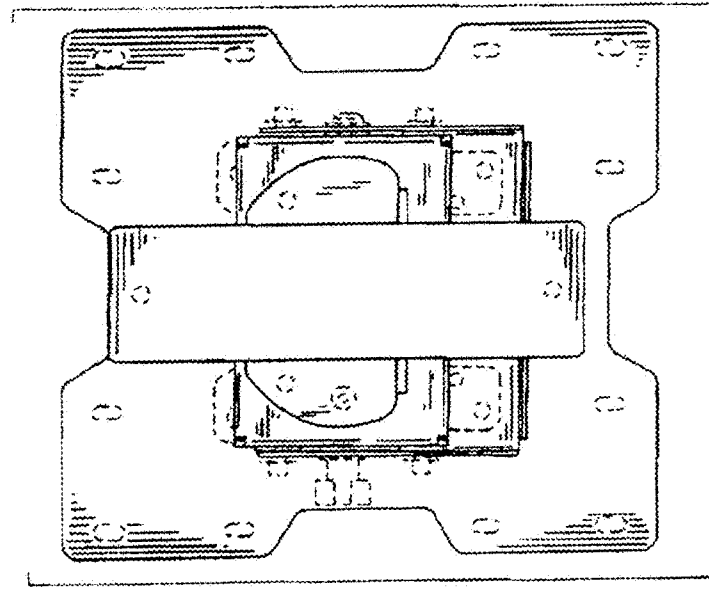


FIG. 11
(Cancelled)

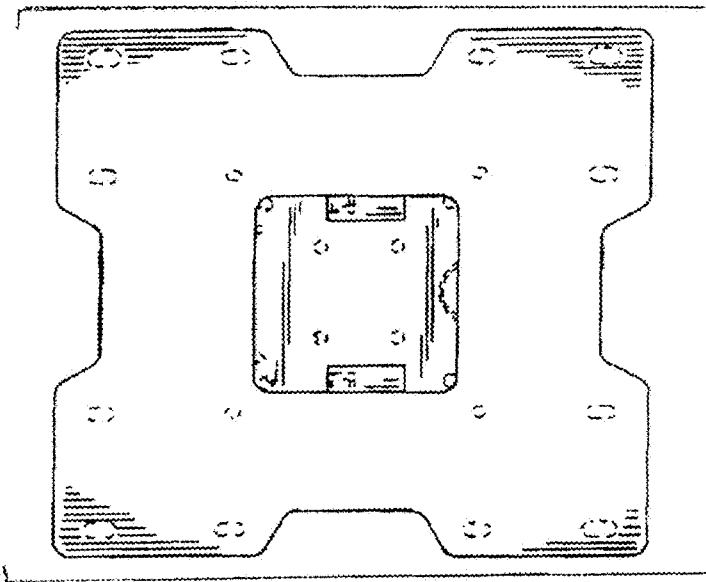


FIG. 12
(Cancelled)

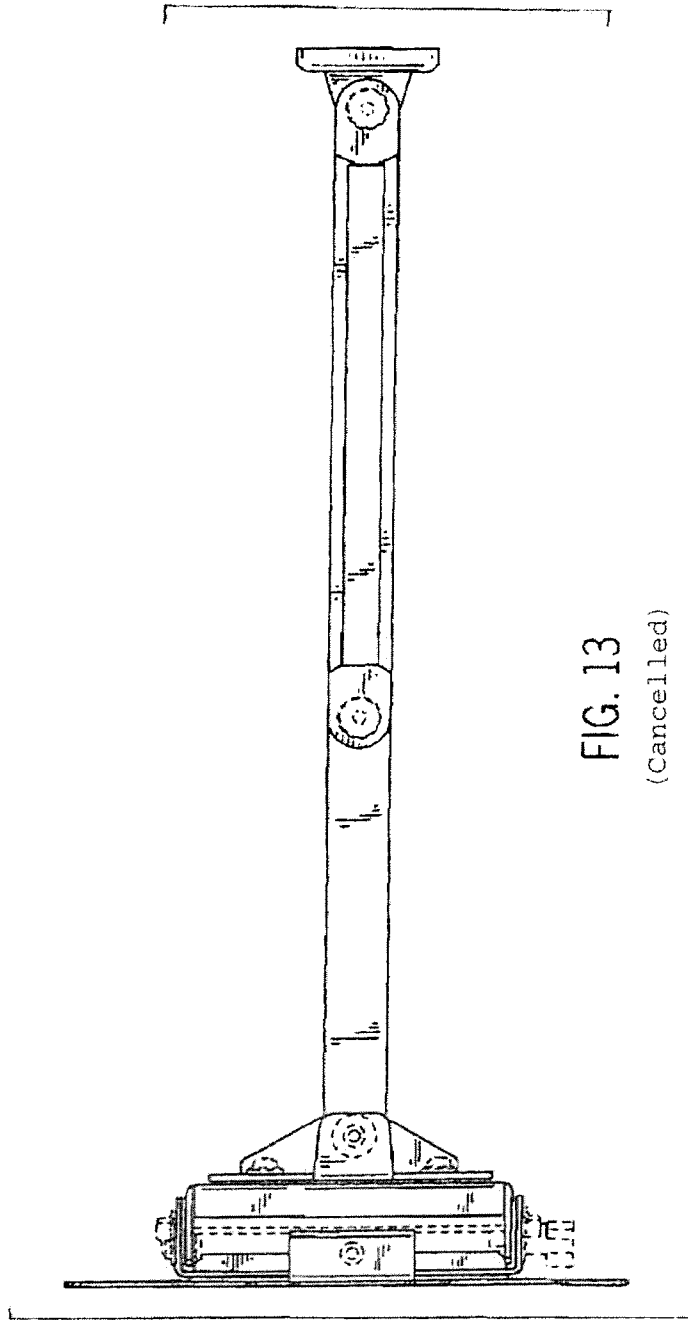


FIG. 13

(Cancelled)

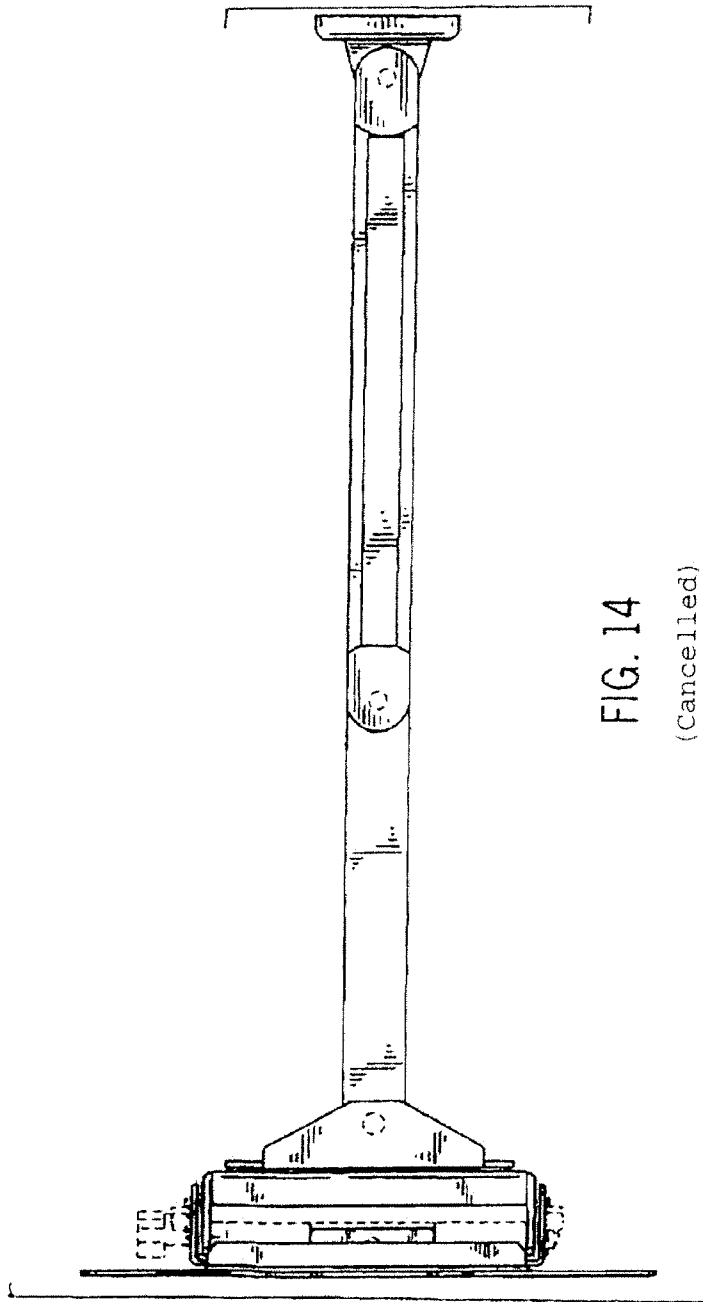


FIG. 14

(Cancelled)

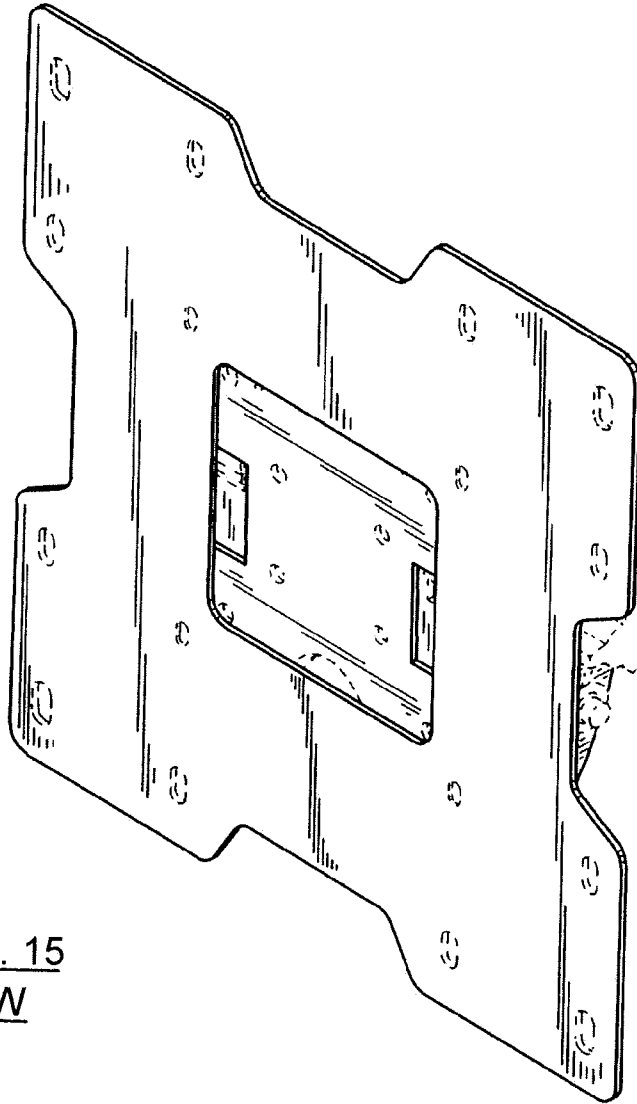


FIG. 15
NEW

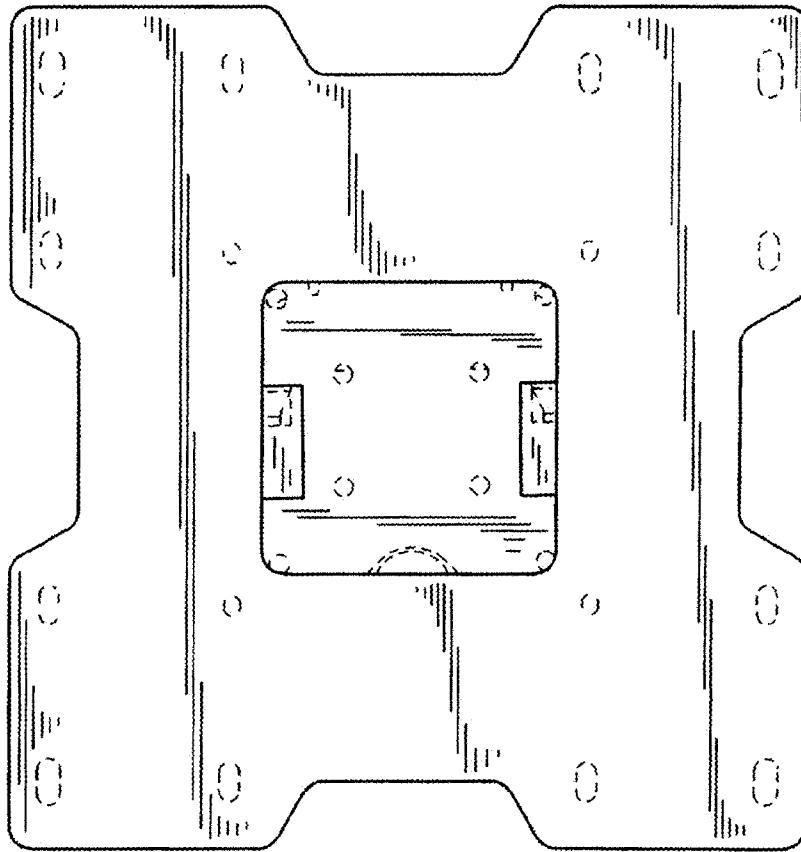


FIG. 16
NEW

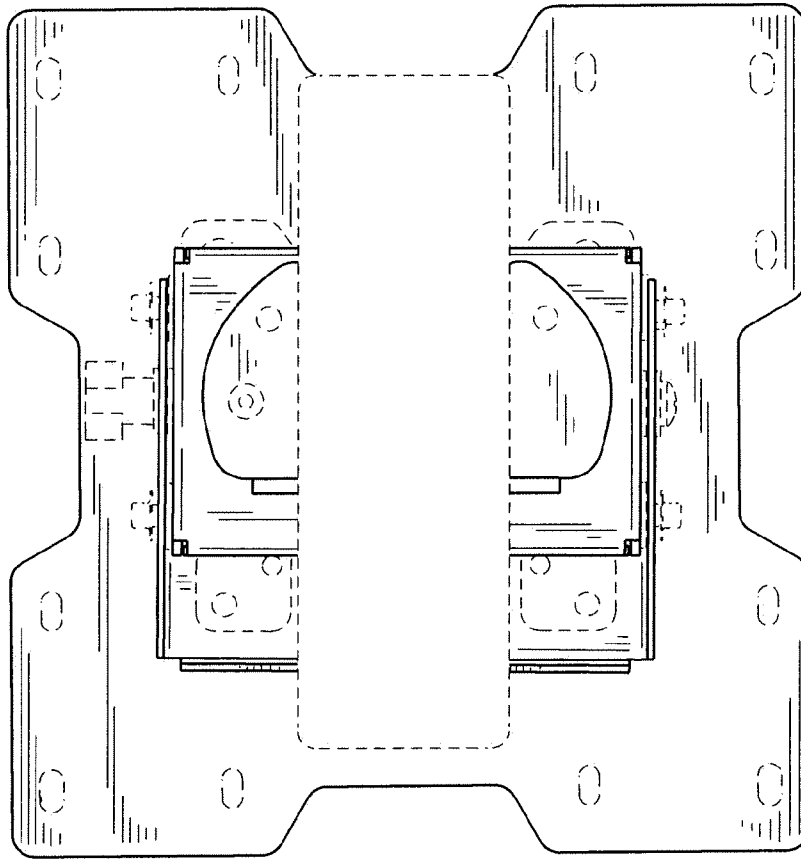


FIG. 17
NEW



FIG. 18
NEW

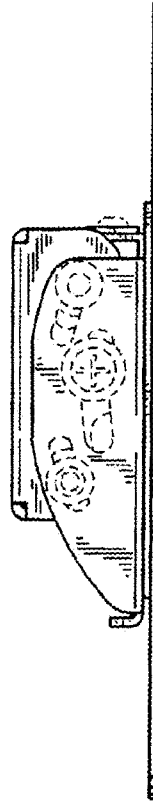


FIG. 19
NEW



FIG. 20
NEW

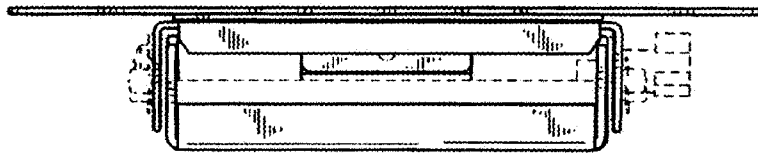


FIG. 21
NEW