



INTERNATIONAL APPLICATION PUBLISHED UNDER THE PATENT COOPERATION TREATY (PCT)

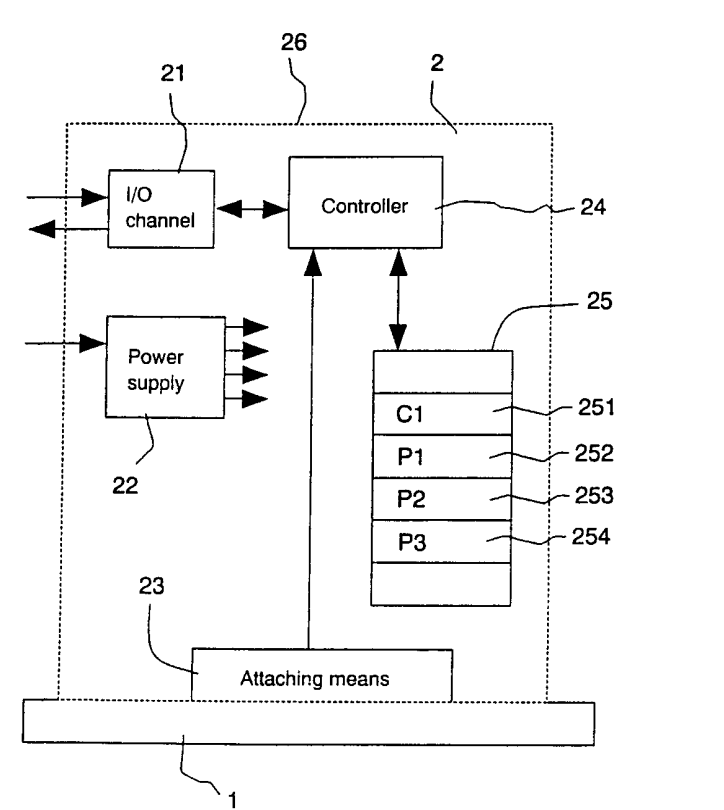
(51) International Patent Classification ⁶ : H04L 9/00	A3	(11) International Publication Number: WO 00/28508 (43) International Publication Date: 18 May 2000 (18.05.00)
--	-----------	--

<p>(21) International Application Number: PCT/IL99/00603</p> <p>(22) International Filing Date: 10 November 1999 (10.11.99)</p> <p>(30) Priority Data: 126988 10 November 1998 (10.11.98) IL</p> <p>(71)(72) Applicant and Inventor: BARKAN, Elad [IL/IL]; Brande Street 24, 49600 Petah Tikva (IL).</p> <p>(74) Agent: ZUTA, Mark; Ben Yehuda Street 19, 49373 Petah Tikva (IL).</p>	<p>(81) Designated States: AE, AL, AM, AT, AU, AZ, BA, BB, BG, BR, BY, CA, CH, CN, CR, CU, CZ, DE, DK, DM, EE, ES, FI, GB, GD, GE, GH, GM, HR, HU, ID, IL, IN, IS, JP, KE, KG, KP, KR, KZ, LC, LK, LR, LS, LT, LU, LV, MA, MD, MG, MK, MN, MW, MX, NO, NZ, PL, PT, RO, RU, SD, SE, SG, SI, SK, SL, TJ, TM, TR, TT, TZ, UA, UG, US, UZ, VN, YU, ZA, ZW, ARIPO patent (GH, GM, KE, LS, MW, SD, SL, SZ, TZ, UG, ZW), Eurasian patent (AM, AZ, BY, KG, KZ, MD, RU, TJ, TM), European patent (AT, BE, CH, CY, DE, DK, ES, FI, FR, GB, GR, IE, IT, LU, MC, NL, PT, SE), OAPI patent (BF, BJ, CF, CG, CI, CM, GA, GN, GW, ML, MR, NE, SN, TD, TG).</p> <p>Published <i>With international search report.</i></p> <p>(88) Date of publication of the international search report: 9 November 2000 (09.11.00)</p>
--	---

(54) Title: MAKING SYSTEM AND METHOD

(57) Abstract

A device for marking a product (26), comprising: an input/output channel (21) for accepting an inquiry and for answering with marking information stored in the device: means (23) for receiving an inquiry through the I/O channel. A method for marking a product comprising the steps of: A. Manufacturing an electronic marking device including an I/O channel, means to securely attach the device to the marked product, digital storage means for storing the marking information and additional information, and controller means; B. attaching the marking device to a product to be marked; C. writing product marking information into the storage means.



FOR THE PURPOSES OF INFORMATION ONLY

Codes used to identify States party to the PCT on the front pages of pamphlets publishing international applications under the PCT.

AL	Albania	ES	Spain	LS	Lesotho	SI	Slovenia
AM	Armenia	FI	Finland	LT	Lithuania	SK	Slovakia
AT	Austria	FR	France	LU	Luxembourg	SN	Senegal
AU	Australia	GA	Gabon	LV	Latvia	SZ	Swaziland
AZ	Azerbaijan	GB	United Kingdom	MC	Monaco	TD	Chad
BA	Bosnia and Herzegovina	GE	Georgia	MD	Republic of Moldova	TG	Togo
BB	Barbados	GH	Ghana	MG	Madagascar	TJ	Tajikistan
BE	Belgium	GN	Guinea	MK	The former Yugoslav	TM	Turkmenistan
BF	Burkina Faso	GR	Greece		Republic of Macedonia	TR	Turkey
BG	Bulgaria	HU	Hungary	ML	Mali	TT	Trinidad and Tobago
BJ	Benin	IE	Ireland	MN	Mongolia	UA	Ukraine
BR	Brazil	IL	Israel	MR	Mauritania	UG	Uganda
BY	Belarus	IS	Iceland	MW	Malawi	US	United States of America
CA	Canada	IT	Italy	MX	Mexico	UZ	Uzbekistan
CF	Central African Republic	JP	Japan	NE	Niger	VN	Viet Nam
CG	Congo	KE	Kenya	NL	Netherlands	YU	Yugoslavia
CH	Switzerland	KG	Kyrgyzstan	NO	Norway	ZW	Zimbabwe
CI	Côte d'Ivoire	KP	Democratic People's	NZ	New Zealand		
CM	Cameroon		Republic of Korea	PL	Poland		
CN	China	KR	Republic of Korea	PT	Portugal		
CU	Cuba	KZ	Kazakstan	RO	Romania		
CZ	Czech Republic	LC	Saint Lucia	RU	Russian Federation		
DE	Germany	LI	Liechtenstein	SD	Sudan		
DK	Denmark	LK	Sri Lanka	SE	Sweden		
EE	Estonia	LR	Liberia	SG	Singapore		

INTERNATIONAL SEARCH REPORT

International application No.

PCT/IL99/00603

A. CLASSIFICATION OF SUBJECT MATTER														
IPC(6) : H04L 9/00 US CL : 705/55														
According to International Patent Classification (IPC) or to both national classification and IPC														
B. FIELDS SEARCHED														
Minimum documentation searched (classification system followed by classification symbols) U.S. : 705/55														
Documentation searched other than minimum documentation to the extent that such documents are included in the fields searched														
Electronic data base consulted during the international search (name of data base and, where practicable, search terms used) WEST														
C. DOCUMENTS CONSIDERED TO BE RELEVANT														
Category *	Citation of document, with indication, where appropriate, of the relevant passages	Relevant to claim No.												
X	US 5,568,552 A (DAVIS) 22 October 1996, figures 4, 6, and 7, abstract, column 2 lines 61-67.	1-11, 14-25												
X	US 5,826,011 A (CHOU ET AL.) 20 October 1998 (20.10.1998), abstract, figure 2B.	1-3												
—		—												
A		4-12, 14-25												
A,P	US 5,867,579 A (SAITO) 02 February 1999 (02.02.1999), abstract.	1-12, 14-25												
A,P	US 5,864,624 A (LUKAS ET AL.) 26 January 1999 (26.01.1999), abstract.	1-12, 14-25												
A	US 5,692,049 A (JOHNSON ET AL.) 25 November 1997 (25.11.1997), abstract.	1-12, 14-25												
A	US 5,212,729 A (SCHAFER) 18 May 1993 (18.05.1993), abstract.	1-12, 14-25												
A	US 5,047,928 A (WIEDEMER) 10 September 1991 (10.09.1991), abstract.	1-12, 14-25												
<input type="checkbox"/> Further documents are listed in the continuation of Box C. <input type="checkbox"/> See patent family annex.														
<table style="width: 100%; border: none;"> <tr> <td style="width: 50%; border: none;">* Special categories of cited documents:</td> <td style="width: 50%; border: none;"></td> </tr> <tr> <td style="border: none;">"A" document defining the general state of the art which is not considered to be of particular relevance</td> <td style="border: none;">"T" later document published after the international filing date or priority date and not in conflict with the application but cited to understand the principle or theory underlying the invention</td> </tr> <tr> <td style="border: none;">"E" earlier application or patent published on or after the international filing date</td> <td style="border: none;">"X" document of particular relevance; the claimed invention cannot be considered novel or cannot be considered to involve an inventive step when the document is taken alone</td> </tr> <tr> <td style="border: none;">"L" document which may throw doubts on priority claim(s) or which is cited to establish the publication date of another citation or other special reason (as specified)</td> <td style="border: none;">"Y" document of particular relevance; the claimed invention cannot be considered to involve an inventive step when the document is combined with one or more other such documents, such combination being obvious to a person skilled in the art</td> </tr> <tr> <td style="border: none;">"O" document referring to an oral disclosure, use, exhibition or other means</td> <td style="border: none;"></td> </tr> <tr> <td style="border: none;">"P" document published prior to the international filing date but later than the priority date claimed</td> <td style="border: none;">"&" document member of the same patent family</td> </tr> </table>			* Special categories of cited documents:		"A" document defining the general state of the art which is not considered to be of particular relevance	"T" later document published after the international filing date or priority date and not in conflict with the application but cited to understand the principle or theory underlying the invention	"E" earlier application or patent published on or after the international filing date	"X" document of particular relevance; the claimed invention cannot be considered novel or cannot be considered to involve an inventive step when the document is taken alone	"L" document which may throw doubts on priority claim(s) or which is cited to establish the publication date of another citation or other special reason (as specified)	"Y" document of particular relevance; the claimed invention cannot be considered to involve an inventive step when the document is combined with one or more other such documents, such combination being obvious to a person skilled in the art	"O" document referring to an oral disclosure, use, exhibition or other means		"P" document published prior to the international filing date but later than the priority date claimed	"&" document member of the same patent family
* Special categories of cited documents:														
"A" document defining the general state of the art which is not considered to be of particular relevance	"T" later document published after the international filing date or priority date and not in conflict with the application but cited to understand the principle or theory underlying the invention													
"E" earlier application or patent published on or after the international filing date	"X" document of particular relevance; the claimed invention cannot be considered novel or cannot be considered to involve an inventive step when the document is taken alone													
"L" document which may throw doubts on priority claim(s) or which is cited to establish the publication date of another citation or other special reason (as specified)	"Y" document of particular relevance; the claimed invention cannot be considered to involve an inventive step when the document is combined with one or more other such documents, such combination being obvious to a person skilled in the art													
"O" document referring to an oral disclosure, use, exhibition or other means														
"P" document published prior to the international filing date but later than the priority date claimed	"&" document member of the same patent family													
Date of the actual completion of the international search 08 June 2000 (08.06.2000)	Date of mailing of the international search report 21 JUL 2000													
Name and mailing address of the ISA/US Commissioner of Patents and Trademarks Box PCT Washington, D.C. 20231 Facsimile No. (703)305-3230	Authorized officer Tod Swann <i>Joni Hill</i> Telephone No. (703) 305-3900													

INTERNATIONAL SEARCH REPORT

International application No.

PCT/IL99/00603

Box I Observations where certain claims were found unsearchable (Continuation of Item 1 of first sheet)

This international report has not been established in respect of certain claims under Article 17(2)(a) for the following reasons:

1. Claim Nos.:
because they relate to subject matter not required to be searched by this Authority, namely:

2. Claim Nos.: 13
because they relate to parts of the international application that do not comply with the prescribed requirements to such an extent that no meaningful international search can be carried out, specifically:
the claim contains a sentence fragment and then a complete sentence.

3. Claim Nos.:
because they are dependent claims and are not drafted in accordance with the second and third sentences of Rule 6.4(a).

Box II Observations where unity of invention is lacking (Continuation of Item 2 of first sheet)

This International Searching Authority found multiple inventions in this international application, as follows:
Please See Continuation Sheet

1. As all required additional search fees were timely paid by the applicant, this international search report covers all searchable claims.
2. As all searchable claims could be searched without effort justifying an additional fee, this Authority did not invite payment of any additional fee.
3. As only some of the required additional search fees were timely paid by the applicant, this international search report covers only those claims for which fees were paid, specifically claims Nos.:

4. No required additional search fees were timely paid by the applicant. Consequently, this international search report is restricted to the invention first mentioned in the claims; it is covered by claims Nos.: 1-25

Remark on Protest

The additional search fees were accompanied by the applicant's protest.

No protest accompanied the payment of additional search fees.

INTERNATIONAL SEARCH REPORT

I. national application No.

PCT/IL99/00603

BOX II. OBSERVATIONS WHERE UNITY OF INVENTION IS LACKING This application contains the following inventions or groups of inventions which are not so linked as to form a single general inventive concept under PCT Rule 13.1. In order for all inventions to be examined, the appropriate additional examination fees must be paid.

Group I, claim(s) 1-25, drawn to a marking device and methods for its use.

Group II, claim(s) 26-30, drawn to a multi-level permit to be used in a marking device.

The inventions listed as Groups I and II do not relate to a single general inventive concept under PCT Rule 13.1 because, under PCT Rule 13.2, they lack the same or corresponding special technical features for the following reasons: I is directed to a physical apparatus, while II is directed to a document to be used in the physical apparatus.