



(51) International Patent Classification:

F02D 41/22 (2006.01) F02D 19/10 (2006.01)
F02D 41/30 (2006.01) F02D 41/00 (2006.01)
F02D 19/06 (2006.01)

(21) International Application Number:

PCT/FI2015/050035

(22) International Filing Date:

22 January 2015 (22.01.2015)

(25) Filing Language:

English

(26) Publication Language:

English

(30) Priority Data:

20145093 28 January 2014 (28.01.2014) FI

(71) Applicant: WÄRTSILÄ FINLAND OY [FI/FI]; Tarhaajantie 2, FI-65380 Vaasa (FI).

(72) Inventors: ÖSTMAN, Fredrik; c/o Wärtsilä Finland Oy, Järvikatu 2 - 4, FI-65100 Vaasa (FI). RÖSGREN, Jonatan; c/o Wärtsilä Finland Oy, Järvikatu 2 - 4, FI-65100 Vaasa (FI). BERGROTH, Thomas; c/o Wärtsilä Finland, Järvikatu 2 - 4, FI-65100 Vaasa (FI).

(74) Agent: BERGGREN OY AB; P.O. Box 16, (Antinkatu 3 C), FI-00101 Helsinki (FI).

(81) Designated States (unless otherwise indicated, for every kind of national protection available): AE, AG, AL, AM,

AO, AT, AU, AZ, BA, BB, BG, BH, BN, BR, BW, BY, BZ, CA, CH, CL, CN, CO, CR, CU, CZ, DE, DK, DM, DO, DZ, EC, EE, EG, ES, FI, GB, GD, GE, GH, GM, GT, HN, HR, HU, ID, IL, IN, IR, IS, JP, KE, KG, KN, KP, KR, KZ, LA, LC, LK, LR, LS, LU, LY, MA, MD, ME, MG, MK, MN, MW, MX, MY, MZ, NA, NG, NI, NO, NZ, OM, PA, PE, PG, PH, PL, PT, QA, RO, RS, RU, RW, SA, SC, SD, SE, SG, SK, SL, SM, ST, SV, SY, TH, TJ, TM, TN, TR, TT, TZ, UA, UG, US, UZ, VC, VN, ZA, ZM, ZW.

(84) Designated States (unless otherwise indicated, for every kind of regional protection available): ARIPO (BW, GH, GM, KE, LR, LS, MW, MZ, NA, RW, SD, SL, ST, SZ, TZ, UG, ZM, ZW), Eurasian (AM, AZ, BY, KG, KZ, RU, TJ, TM), European (AL, AT, BE, BG, CH, CY, CZ, DE, DK, EE, ES, FI, FR, GB, GR, HR, HU, IE, IS, IT, LT, LU, LV, MC, MK, MT, NL, NO, PL, PT, RO, RS, SE, SI, SK, SM, TR), OAPI (BF, BJ, CF, CG, CI, CM, GA, GN, GQ, GW, KM, ML, MR, NE, SN, TD, TG).

Published:

- with international search report (Art. 21(3))
- before the expiration of the time limit for amending the claims and to be republished in the event of receipt of amendments (Rule 48.2(h))

(88) Date of publication of the international search report:
17 December 2015

(54) Title: METHOD AND FUEL INJECTION SYSTEM FOR A DUAL-FUEL DIESEL ENGINE

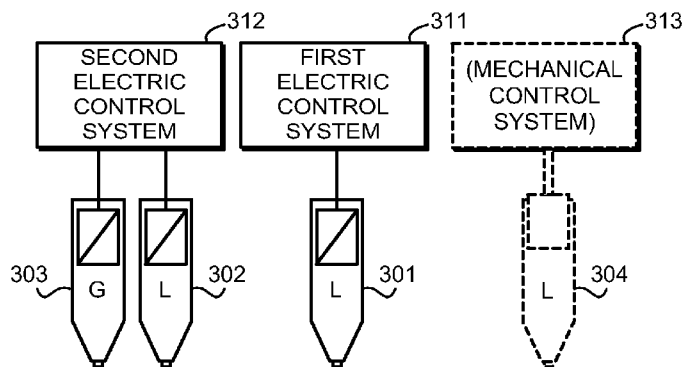


Fig. 3

(57) Abstract: A method for controlling a dual-fuel diesel engine and corresponding fuel injection control system, comprising: - using a first electric control system (311) to control the injection of liquid fuel into a cylinder of said diesel engine through a first liquid fuel injector (301), - using a second electric control system (312) to control the injection of liquid fuel into said cylinder of said diesel engine through a second liquid fuel injector (302), different from said first liquid fuel injector (301), - in a gaseous fuel mode (402), injecting gaseous fuel into said cylinder of said diesel engine and performing pilot injection to said cylinder through said second liquid fuel injector (302), and - in a case of a failure in the pilot injection through said second liquid fuel injector (302), employing a gaseous fuel backup mode (423) in which pilot injection to said cylinder is performed through said first liquid fuel injector (301).

WO 2015/114208 A3

INTERNATIONAL SEARCH REPORT

International application No
PCT/FI2015/050035

A. CLASSIFICATION OF SUBJECT MATTER
INV. F02D41/22 F02D41/30 F02D19/06 F02D19/10 F02D41/00
ADD.
According to International Patent Classification (IPC) or to both national classification and IPC

B. FIELDS SEARCHED
Minimum documentation searched (classification system followed by classification symbols)
F02D
Documentation searched other than minimum documentation to the extent that such documents are included in the fields searched

Electronic data base consulted during the international search (name of data base and, where practicable, search terms used)
EPO-Internal, WPI Data

C. DOCUMENTS CONSIDERED TO BE RELEVANT

Category*	Citation of document, with indication, where appropriate, of the relevant passages	Relevant to claim No.
X	EP 1 586 758 A2 (WAERTSILAE FINLAND OY [FI]) 19 October 2005 (2005-10-19) abstract paragraph [0002] paragraphs [0004] - [0006] paragraph [0009] paragraphs [0011] - [0015] paragraphs [0017] - [0019] figure 1 ----- -/--	1-10

Further documents are listed in the continuation of Box C.

See patent family annex.

* Special categories of cited documents :

- "A" document defining the general state of the art which is not considered to be of particular relevance
- "E" earlier application or patent but published on or after the international filing date
- "L" document which may throw doubts on priority claim(s) or which is cited to establish the publication date of another citation or other special reason (as specified)
- "O" document referring to an oral disclosure, use, exhibition or other means
- "P" document published prior to the international filing date but later than the priority date claimed

- "T" later document published after the international filing date or priority date and not in conflict with the application but cited to understand the principle or theory underlying the invention
- "X" document of particular relevance; the claimed invention cannot be considered novel or cannot be considered to involve an inventive step when the document is taken alone
- "Y" document of particular relevance; the claimed invention cannot be considered to involve an inventive step when the document is combined with one or more other such documents, such combination being obvious to a person skilled in the art
- "&" document member of the same patent family

Date of the actual completion of the international search 3 June 2015	Date of mailing of the international search report 29/10/2015
--	--

Name and mailing address of the ISA/ European Patent Office, P.B. 5818 Patentlaan 2 NL - 2280 HV Rijswijk Tel. (+31-70) 340-2040, Fax: (+31-70) 340-3016	Authorized officer Wettemann, Mark
--	---

INTERNATIONAL SEARCH REPORT

International application No
PCT/FI2015/050035

C(Continuation). DOCUMENTS CONSIDERED TO BE RELEVANT		
Category*	Citation of document, with indication, where appropriate, of the relevant passages	Relevant to claim No.
X	EP 2 634 401 A1 (CATERPILLAR MOTOREN GMBH & CO [DE]) 4 September 2013 (2013-09-04) abstract column 1 paragraphs [0007] - [0015] paragraph [0019] paragraphs [0027] - [0033] paragraphs [0037] - [0040] paragraph [0045] paragraphs [0050] - [0052] figure 1 -----	8-10
A	WO 2012/072881 A1 (WAERTSILAE FINLAND OY [FI]; JAY DAVID [FI]) 7 June 2012 (2012-06-07) paragraph [0012] paragraph [0020] paragraphs [0036] - [0039] -----	1-10
A	EP 2 487 353 A2 (CATERPILLAR INC [US]) 15 August 2012 (2012-08-15) abstract paragraphs [0001], [0004], [0006] paragraphs [0009], [0012], [0027] -----	1,8
A	WO 2012/155030 A2 (CATERPILLAR INC [US]; KIM HOISAN [US]; DING XIANGDONG [US]; SOMMARS MA) 15 November 2012 (2012-11-15) page 2, line 11 - page 3, line 12 page 5, line 4 - page 6, line 25 page 9, line 26 - page 11, line 2 page 16, line 17 - page 17, line 20 -----	1,8

INTERNATIONAL SEARCH REPORT

Information on patent family members

International application No PCT/FI2015/050035

Patent document cited in search report	Publication date	Patent family member(s)	Publication date	
EP 1586758	A2	19-10-2005	AT 462075 T	15-04-2010
			CN 1683770 A	19-10-2005
			EP 1586758 A2	19-10-2005
			FI 20045137 A	17-10-2005
			JP 4399389 B2	13-01-2010
			JP 2005307977 A	04-11-2005
			KR 20060045761 A	17-05-2006
			US 2005229899 A1	20-10-2005
EP 2634401	A1	04-09-2013	CN 104136750 A	05-11-2014
			EP 2634401 A1	04-09-2013
			KR 20140134655 A	24-11-2014
			US 2015034042 A1	05-02-2015
			WO 2013127518 A1	06-09-2013
WO 2012072881	A1	07-06-2012	CN 103237979 A	07-08-2013
			EP 2646674 A1	09-10-2013
			FI 20106274 A	03-06-2012
			JP 2013544338 A	12-12-2013
			KR 20130136495 A	12-12-2013
			US 2013247875 A1	26-09-2013
			WO 2012072881 A1	07-06-2012
EP 2487353	A2	15-08-2012	CN 102635472 A	15-08-2012
			EP 2487353 A2	15-08-2012
			US 2012204835 A1	16-08-2012
WO 2012155030	A2	15-11-2012	US 2012285417 A1	15-11-2012
			US 2015136072 A1	21-05-2015
			US 2015136073 A1	21-05-2015
			WO 2012155030 A2	15-11-2012