



US00D436636S

(12) **United States Design Patent**
Joseph-Turner

(10) **Patent No.:** **US D436,636 S**

(45) **Date of Patent:** **** Jan. 23, 2001**

(54) **ELEGANT DINING PLAYSET**

5,007,673 4/1991 Cheng .

(76) Inventor: **Kimberly Joseph-Turner**, 113 Charles St., De Soto, TX (US) 75115

OTHER PUBLICATIONS

Toys R Us, p 19, p 20, 1993.*
My Pretty Dollhouse, 1995.*
Storm Becker Playthings p 4, p 5, 1934.*

(**) Term: **14 Years**

* cited by examiner

(21) Appl. No.: **29/112,702**

(22) Filed: **Oct. 22, 1999**

Primary Examiner—Raphael Barkai

(51) **LOC (7) Cl.** **21-01**

(57) **CLAIM**

(52) **U.S. Cl.** **D21/519; D21/521; D21/522**

The ornamental design for a elegant dining playset, as shown and described.

(58) **Field of Search** D21/519–522; D6/336, 334, 364, 480; 446/482, 479

DESCRIPTION

(56) **References Cited**

U.S. PATENT DOCUMENTS

D. 51,659	*	1/1918	Roberts	D21/521
D. 234,238	*	2/1975	Miller	D6/364
D. 369,926		5/1996	Keller	.	
D. 373,798		9/1996	Yang	.	
D. 383,806		9/1997	Yang	.	
D. 408,157	*	4/1999	Lewis	D6/334
D. 408,177	*	4/1999	Stout	D6/480
1,660,119	*	2/1928	Decker	446/482
3,269,034	*	8/1966	Glass et al.	446/482
3,333,358	*	8/1967	Green et al.	446/482
3,749,278		7/1973	von Boch-Galhau	.	
4,575,078		3/1986	Fogarty et al.	.	
4,879,800	*	11/1989	Rumman	446/482

FIG. 1 is a front elevational view of the elegant dining playset of the present invention, the rear view being a mirror image thereof;

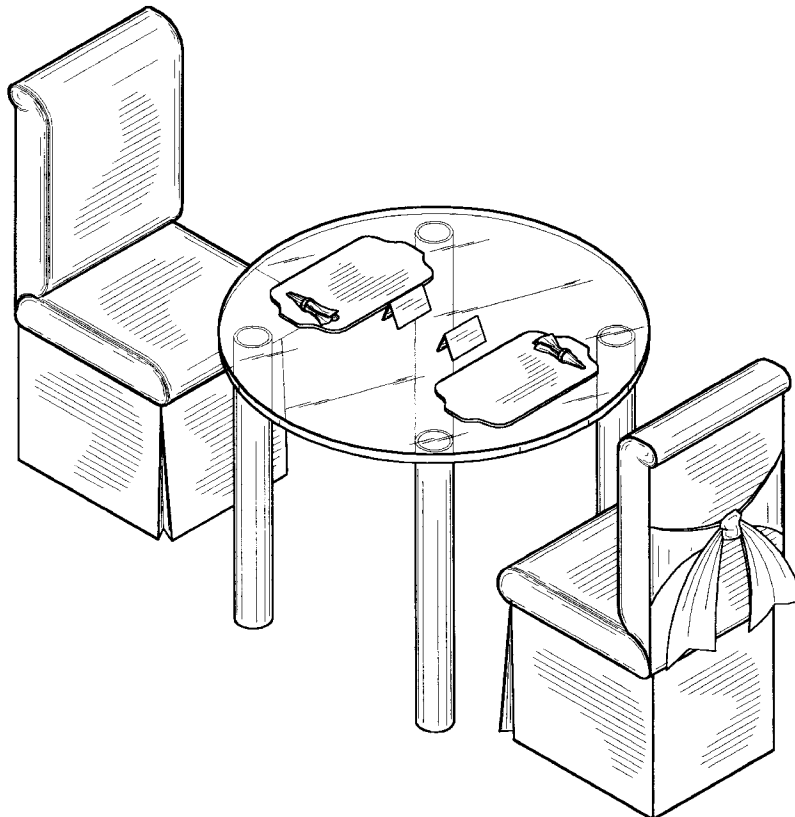
FIG. 2 is a left side elevational view of the elegant dining playset of FIG. 1, the right side view being a mirror image thereof;

FIG. 3 is a top plan view of the elegant dining playset of FIG. 1;

FIG. 4 is a bottom plan view of the elegant dining playset of FIG. 1; and,

FIG. 5 is a top, front, right side perspective view of the elegant dining playset of FIG. 1.

1 Claim, 3 Drawing Sheets



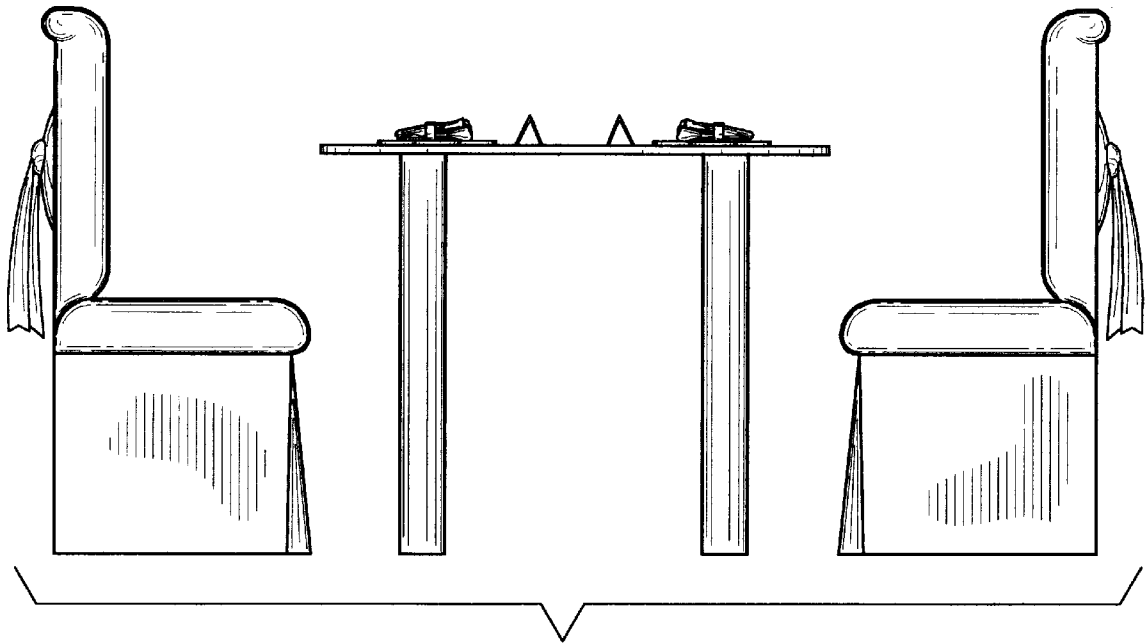


Fig. 1

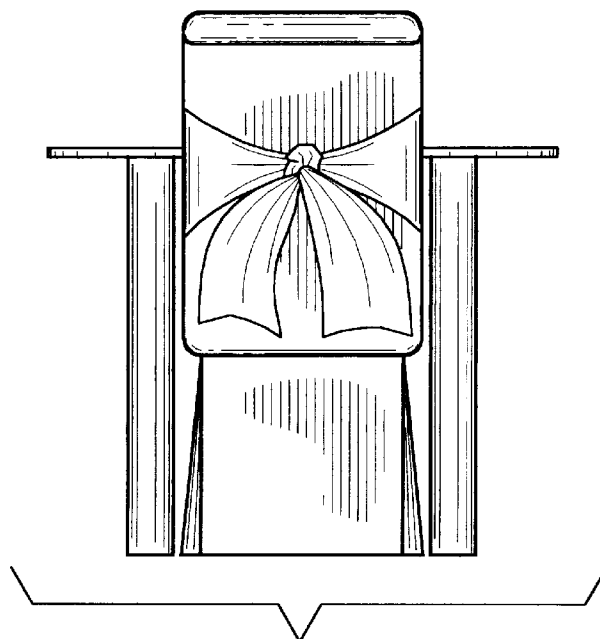


Fig. 2

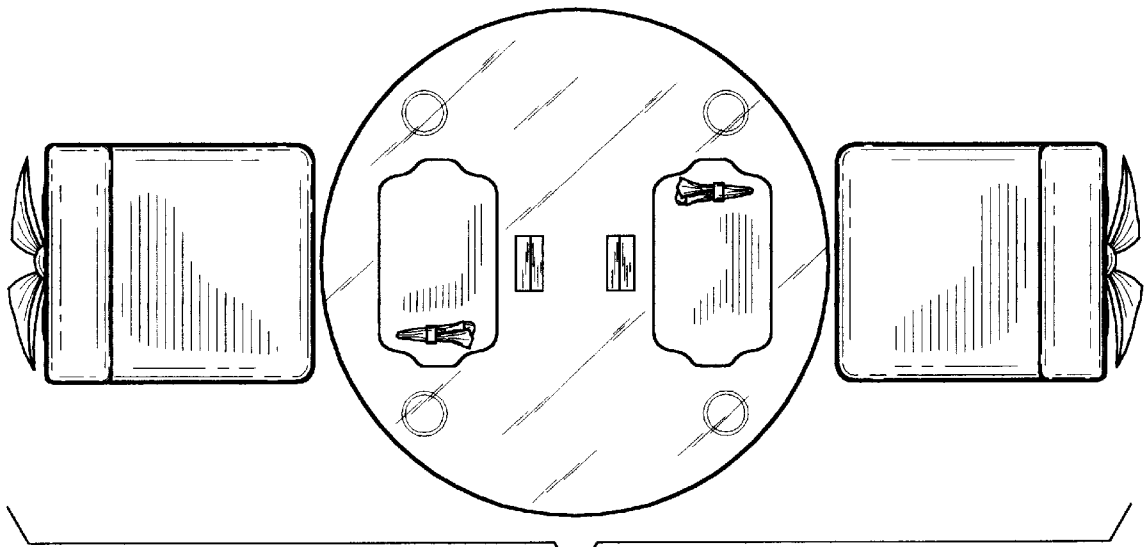


Fig. 3

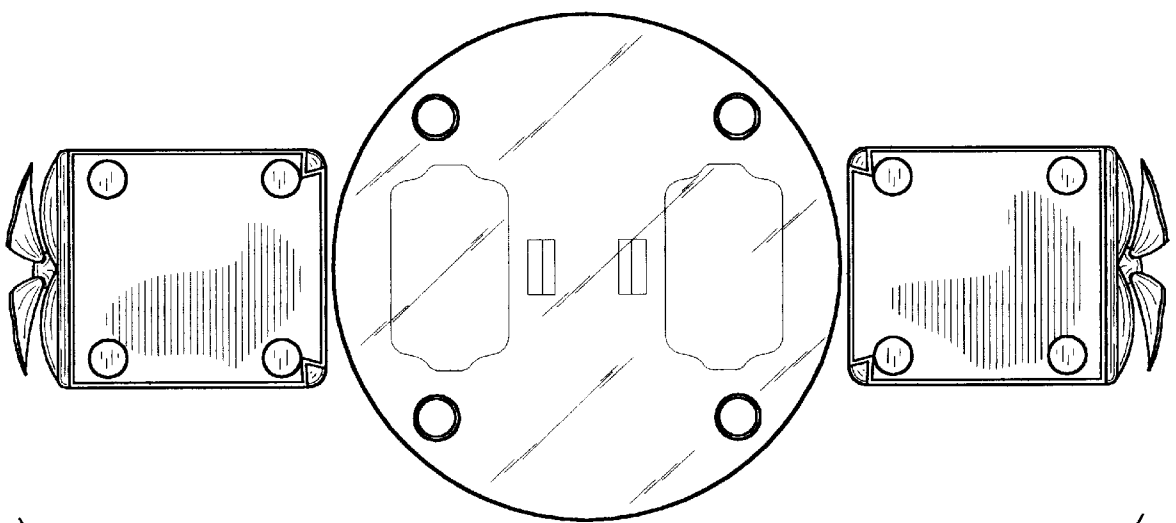


Fig. 4

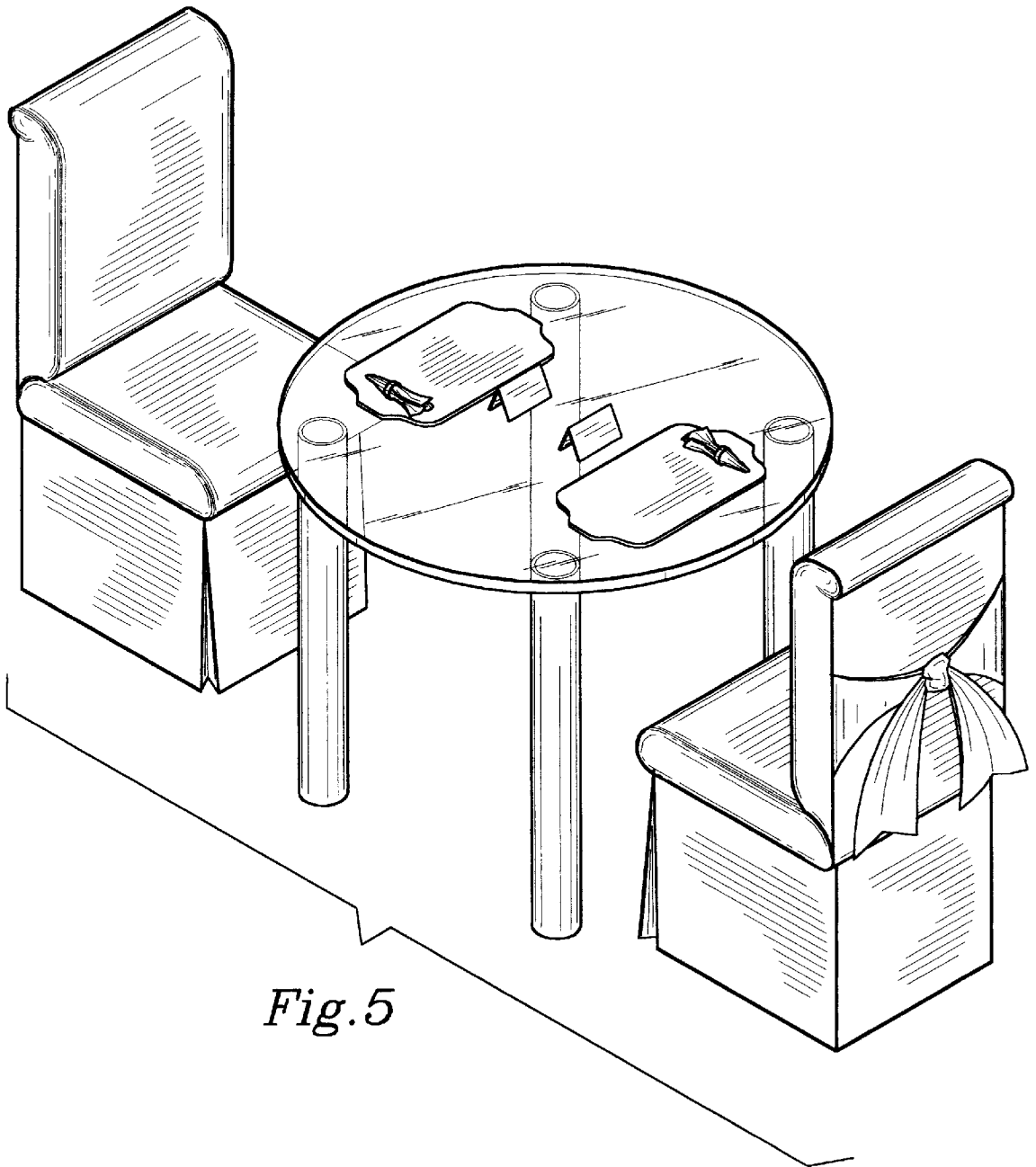


Fig.5