

[54] TOY RACING CAR

[75] Inventor: Yoshio Fujinami, Shizuoka, Japan

[73] Assignee: Kabushiki Kaisha Tamiya Mokei, Shizuoka, Japan

[\*\*] Term: 14 Years

[21] Appl. No.: 387,882

[22] Filed: Aug. 1, 1989

[52] U.S. Cl. .... D21/137

[58] Field of Search ..... D21/136, 137; D12/88, D12/86; 446/470, 471, 454, 456, 444, 446

[56] References Cited  
PUBLICATIONS

Hong Kong Toys '88, p. 86, lower right.  
1987 Best Products Catalog, p. 319, #13.  
Model EXPO Winter 86-87, p. 3, center.

Hong Kong Toys '88, p. 268, top.

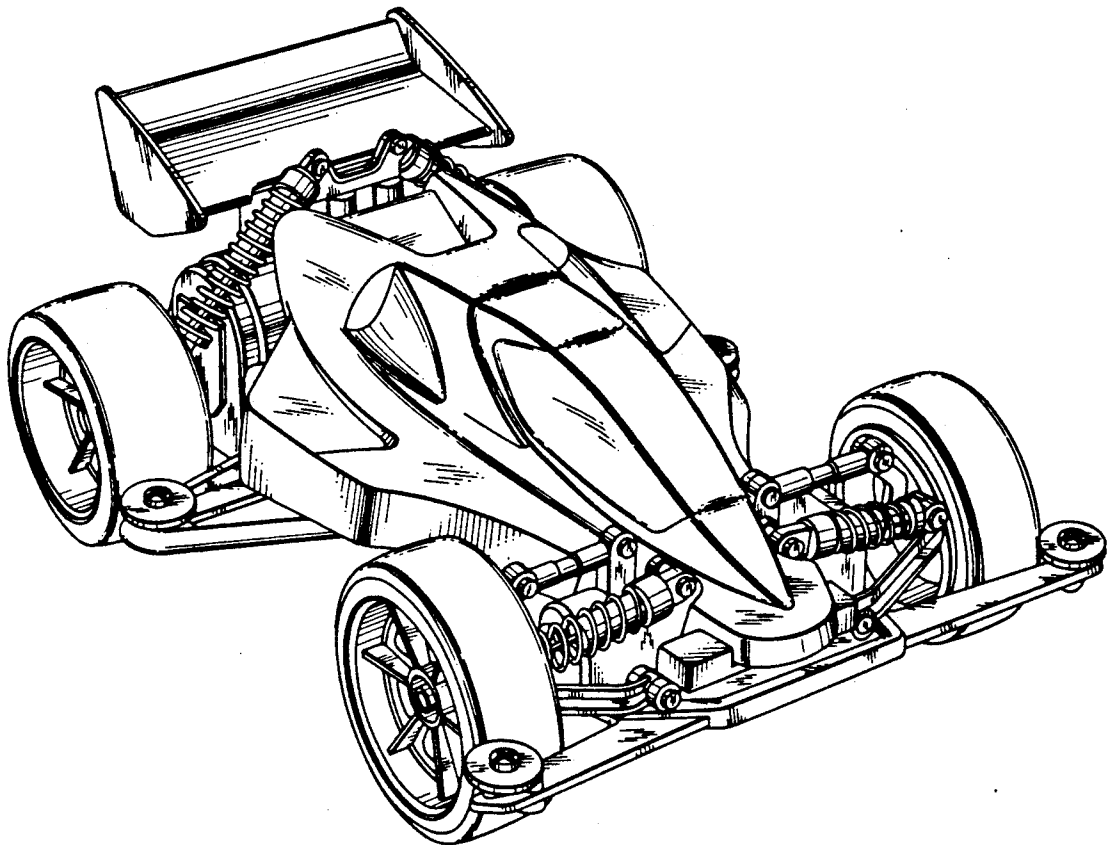
Primary Examiner—Charles A. Rademaker  
Assistant Examiner—Raphael Barkai  
Attorney, Agent, or Firm—Finnegan, Henderson, Farabow, Garrett & Dunner

[57] CLAIM

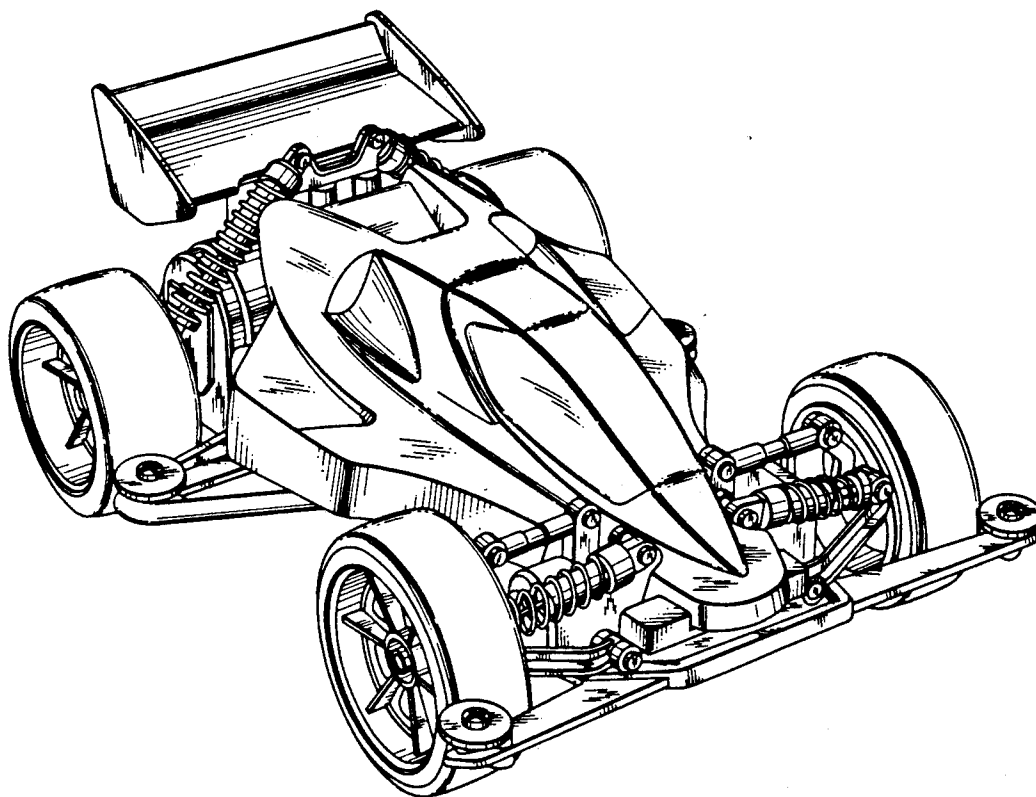
The ornamental design for a toy racing car, as shown and described.

DESCRIPTION

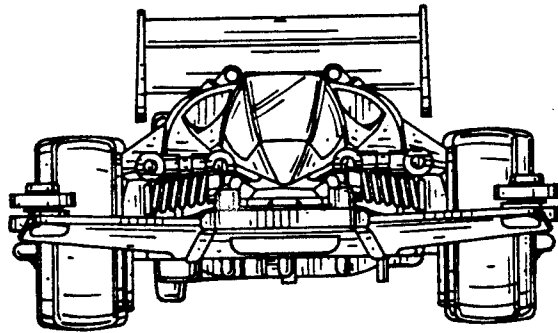
FIG. 1 is a perspective view of a toy racing car showing my new design;  
FIG. 2 is a front elevational view thereof;  
FIG. 3 is a rear elevational view thereof;  
FIG. 4 is a top plan view thereof;  
FIG. 5 is a bottom plan view thereof;  
FIG. 6 is a right side elevational view thereof; and  
FIG. 7 is a left side elevational view thereof.



*FIG. 1*



*FIG. 2*



*FIG. 3*

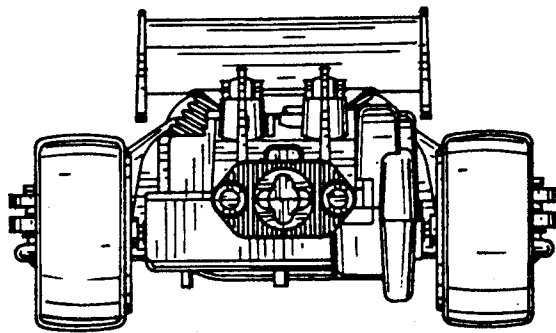


FIG. 5

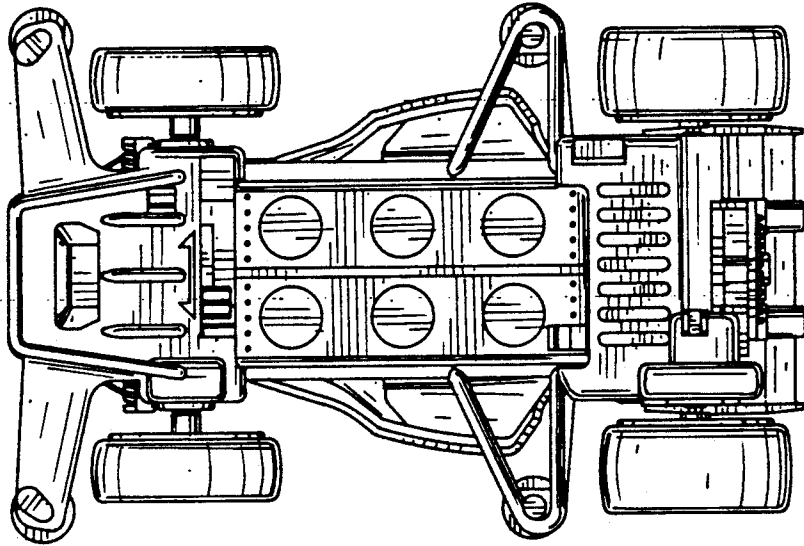
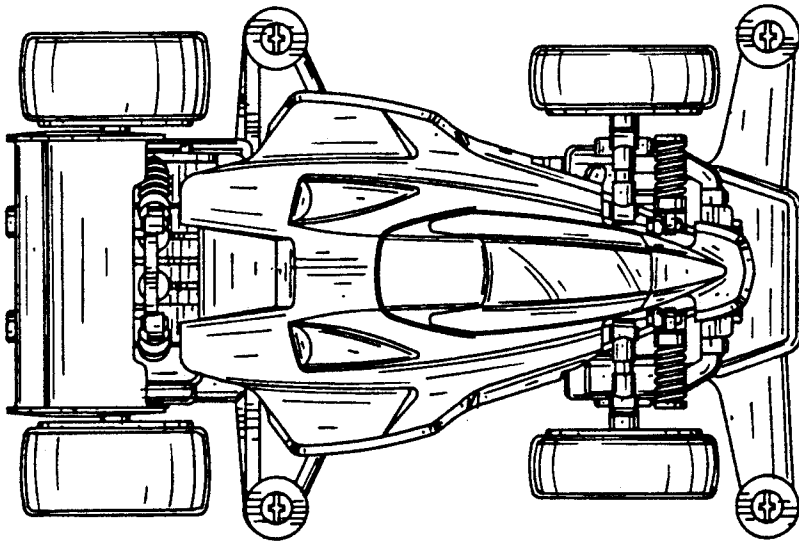
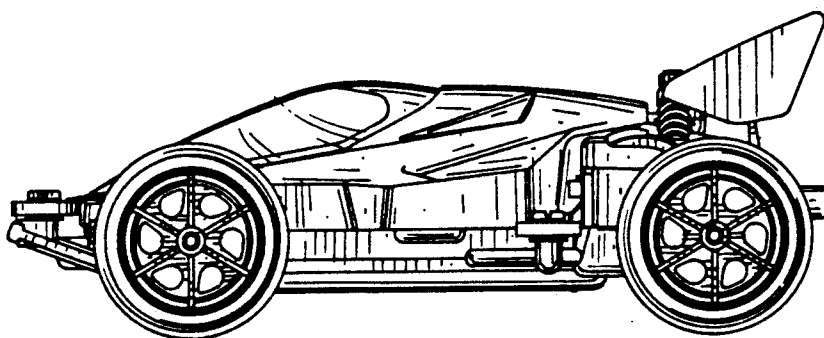


FIG. 4



*FIG. 6*



*FIG. 7*

