

(19) World Intellectual Property
Organization
International Bureau



(43) International Publication Date
6 January 2005 (06.01.2005)

PCT

(10) International Publication Number
WO 2005/002305 A3

(51) International Patent Classification⁷: G02F 1/13,
H05K 5/00, H04M 1/02, B29C 43/18

(21) International Application Number:
PCT/US2004/013247

(22) International Filing Date: 28 April 2004 (28.04.2004)

(25) Filing Language: English

(26) Publication Language: English

(30) Priority Data:
60/476,852 6 June 2003 (06.06.2003) US
10/860,992 28 April 2004 (28.04.2004) US

(71) Applicant (for all designated States except US): SIPIX
IMAGING, INC. [US/US]; 1075 Montague Expressay,
Milpitas, CA 95035 (US).

(72) Inventors: LIANG, Rong-Chang; 20142 Pacifica Dr.,
Cupertino, CA 95014 (US). TSENG, Scott, C., J.; 2953

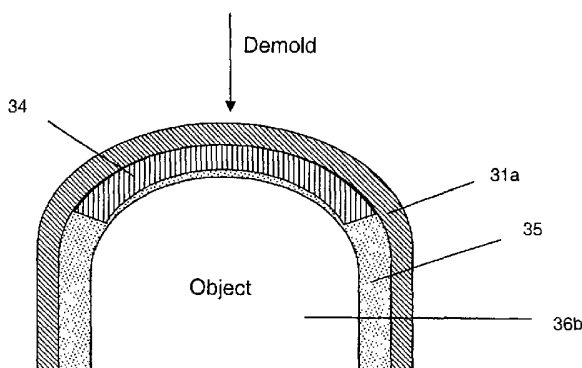
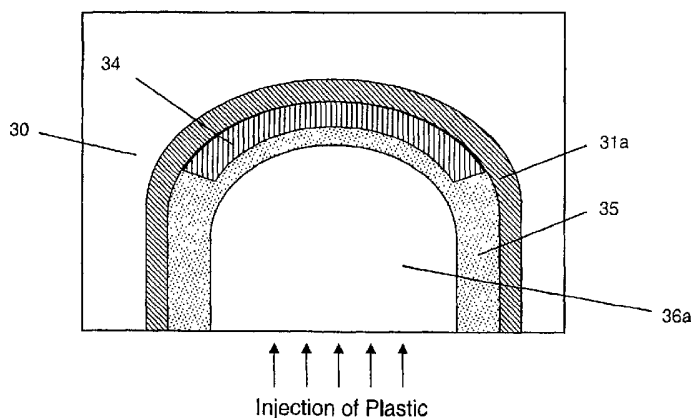
Tobin Drive, San Jose, CA 95132 (US). CHUNG, Jerry;
100 Montelena Court, Mountain View, CA 94040 (US).
ZANG, Hong-Mei; 209 E. Red Oak Drive, Apt. #D, Sun-
nyvale, CA 94086 (US). WANG, Xiaojia; 4419 Macbeth
Circle, Fremont, CA 94555 (US). CHAUG, Yi-Shung;
1195 Altamead Drive, Los Altos, CA 94022 (US). DAI,
Feng, Y.; 1075 Montague Expressway, Milpitas, CA 95035
(US).

(74) Agent: KUNG, Viola, T.; Howrey Simon Arnold & White
LLP, 2941 Fairview Park Drive, Box 7, Falls Church, Vir-
ginia 22042 (US).

(81) Designated States (unless otherwise indicated, for every
kind of national protection available): AE, AG, AL, AM,
AT, AU, AZ, BA, BB, BG, BR, BW, BY, BZ, CA, CH, CN,
CO, CR, CU, CZ, DE, DK, DM, DZ, EC, EE, EG, ES, FI,
GB, GD, GE, GH, GM, HR, HU, ID, IL, IN, IS, JP, KE,
KG, KP, KR, KZ, LC, LK, LR, LS, LT, LU, LV, MA, MD,
MG, MK, MN, MW, MX, MZ, NA, NI, NO, NZ, OM, PG,

[Continued on next page]

(54) Title: IN MOLD MANUFACTURE OF AN OBJECT WITH EMBEDDED DISPLAY PANEL



(57) Abstract: This invention relates to an
object having a display panel (34) embedded
in its top surface and processes for its
manufacture.

WO 2005/002305 A3



PH, PL, PT, RO, RU, SC, SD, SE, SG, SK, SL, SY, TJ, TM, TN, TR, TT, TZ, UA, UG, US, UZ, VC, VN, YU, ZA, ZM, ZW.

(84) Designated States (*unless otherwise indicated, for every kind of regional protection available*): ARIPO (BW, GH, GM, KE, LS, MW, MZ, NA, SD, SL, SZ, TZ, UG, ZM, ZW), Eurasian (AM, AZ, BY, KG, KZ, MD, RU, TJ, TM), European (AT, BE, BG, CH, CY, CZ, DE, DK, EE, ES, FI, FR, GB, GR, HU, IE, IT, LU, MC, NL, PL, PT, RO, SE, SI, SK, TR), OAPI (BF, BJ, CF, CG, CI, CM, GA, GN, GQ, GW, ML, MR, NE, SN, TD, TG).

Published:

- *with international search report*
- *before the expiration of the time limit for amending the claims and to be republished in the event of receipt of amendments*

(88) Date of publication of the international search report:

11 August 2005

For two-letter codes and other abbreviations, refer to the "Guidance Notes on Codes and Abbreviations" appearing at the beginning of each regular issue of the PCT Gazette.

INTERNATIONAL SEARCH REPORT

International Application No
PCT/US2004/013247

A. CLASSIFICATION OF SUBJECT MATTER
IPC 7 G02F1/13 H05K5/00 H04M1/02 B29C43/18

According to International Patent Classification (IPC) or to both national classification and IPC

B. FIELDS SEARCHED

Minimum documentation searched (classification system followed by classification symbols)
IPC 7 G02F H04M B29C

Documentation searched other than minimum documentation to the extent that such documents are included in the fields searched

Electronic data base consulted during the international search (name of data base and, where practical, search terms used)

C. DOCUMENTS CONSIDERED TO BE RELEVANT

Category °	Citation of document, with indication, where appropriate, of the relevant passages	Relevant to claim No.
X	EP 0 458 016 A (FUJI POLYMERTech CO LTD) 27 November 1991 (1991-11-27) the whole document	1-7,12, 32,34
X	----- GB 2 364 445 A (YOSHIDA KOGYO KK) 23 January 2002 (2002-01-23) abstract; claims 1,3	1,22-24, 29-31
A	----- US 6 382 448 B1 (HIBI TAKEHISA ET AL) 7 May 2002 (2002-05-07) the whole document	1

Further documents are listed in the continuation of box C.

Patent family members are listed in annex.

° Special categories of cited documents :

- "A" document defining the general state of the art which is not considered to be of particular relevance
- "E" earlier document but published on or after the international filing date
- "L" document which may throw doubts on priority claim(s) or which is cited to establish the publication date of another citation or other special reason (as specified)
- "O" document referring to an oral disclosure, use, exhibition or other means
- "P" document published prior to the international filing date but later than the priority date claimed

- "T" later document published after the international filing date or priority date and not in conflict with the application but cited to understand the principle or theory underlying the invention
- "X" document of particular relevance; the claimed invention cannot be considered novel or cannot be considered to involve an inventive step when the document is taken alone
- "Y" document of particular relevance; the claimed invention cannot be considered to involve an inventive step when the document is combined with one or more other such documents, such combination being obvious to a person skilled in the art.
- "&" document member of the same patent family

Date of the actual completion of the international search 19 January 2005	Date of mailing of the international search report 22 JUN 2005
--	---

Name and mailing address of the ISA European Patent Office, P.B. 5818 Patentlaan 2 NL - 2280 HV Rijswijk Tel. (+31-70) 340-2040, Tx. 31 651 epo nl, Fax: (+31-70) 340-3016	Authorized officer Toussaint, F
--	--

INTERNATIONAL SEARCH REPORT

International application No.
PCT/US2004/013247

Box II Observations where certain claims were found unsearchable (Continuation of item 2 of first sheet)

This International Search Report has not been established in respect of certain claims under Article 17(2)(a) for the following reasons:

1. Claims Nos.:
because they relate to subject matter not required to be searched by this Authority, namely:

2. Claims Nos.:
because they relate to parts of the International Application that do not comply with the prescribed requirements to such an extent that no meaningful International Search can be carried out, specifically:

3. Claims Nos.:
because they are dependent claims and are not drafted in accordance with the second and third sentences of Rule 6.4(a).

Box III Observations where unity of invention is lacking (Continuation of item 3 of first sheet)

This International Searching Authority found multiple inventions in this international application, as follows:

see additional sheet

1. As all required additional search fees were timely paid by the applicant, this International Search Report covers all searchable claims.

2. As all searchable claims could be searched without effort justifying an additional fee, this Authority did not invite payment of any additional fee.

3. As only some of the required additional search fees were timely paid by the applicant, this International Search Report covers only those claims for which fees were paid, specifically claims Nos.:

4. No required additional search fees were timely paid by the applicant. Consequently, this International Search Report is restricted to the invention first mentioned in the claims; it is covered by claims Nos.:

1-41

Remark on Protest

- The additional search fees were accompanied by the applicant's protest.
- No protest accompanied the payment of additional search fees.

FURTHER INFORMATION CONTINUED FROM PCT/ISA/ 210

This International Searching Authority found multiple (groups of) inventions in this international application, as follows:

1. claims: 1-41

relates to a plastic object having a display panel embedded in its top surface

2. claims: 42-59, 60, 61-62, 63, 64-65, 66

relates to an in-mold display transfer film and six processes for the manufacture of an object having a display panel embedded in the top surface, which processes comprise the step of forming an in-mold display transfer film.

INTERNATIONAL SEARCH REPORT

Information on patent family members

International Application No

PCT/US2004/013247

Patent document cited in search report	Publication date	Publication date	Patent family member(s)	Publication date
EP 0458016	A	27-11-1991	JP 2938933 B2	25-08-1999
			JP 4028533 A	31-01-1992
			EP 0458016 A1	27-11-1991
GB 2364445	A	23-01-2002	JP 2001318612 A	16-11-2001
			DE 10122021 A1	13-12-2001
			US 2001038493 A1	08-11-2001
US 6382448	B1	07-05-2002	JP 2001007545 A	12-01-2001
			JP 2001036258 A	09-02-2001
			DE 10029678 A1	08-02-2001