

(19) World Intellectual Property Organization
International Bureau



(43) International Publication Date
15 May 2008 (15.05.2008)

PCT

(10) International Publication Number
WO 2008/057946 A3

(51) International Patent Classification:

A61B 5/00 (2006.01) F16K 11/07 (2006.01)
A61M 39/22 (2006.01) A61M 5/14 (2006.01)
F16K 3/26 (2006.01)

(21) International Application Number:

PCT/US2007/083344

(22) International Filing Date:

1 November 2007 (01.11.2007)

(25) Filing Language:

English

(26) Publication Language:

English

(30) Priority Data:

11/555,868 2 November 2006 (02.11.2006) US
11/555,797 2 November 2006 (02.11.2006) US

(71) Applicant (for all designated States except US): **FENWAL, INC.** [US/US]; Three Corporate Drive, Lake Zurich, IL 60047 (US).

(72) Inventors; and

(75) Inventors/Applicants (for US only): **MATHIAS, Jean-Marie** [BE/BE]; Avenue Du Tonnelier 46, B-1428

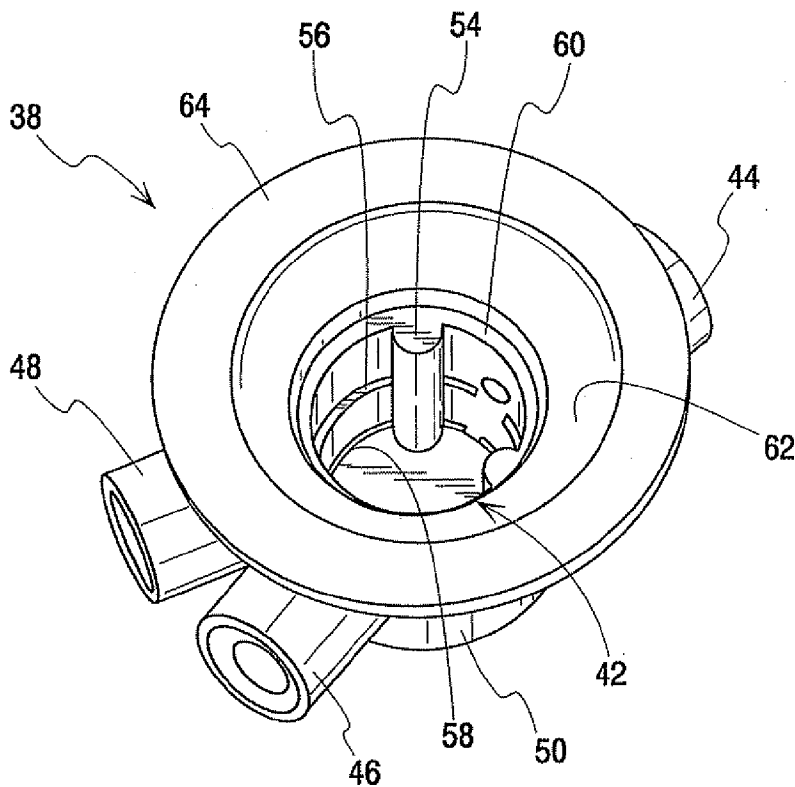
Lillois (BE). **WEST, Richard, L.** [US/US]; 37162 North Lake Shore Drive, Lake Villa, IL 60046 (US). **BLICKHAN, Bryan, J.** [US/US]; 520 Hemlock Lane, Libertyville, IL 60048 (US). **BOWMAN, Joseph, H.** [US/US]; 37199 North Twin Oaks Drive, Lake Villa, IL 60046 (US). **BENJAMIN, Grant, S.** [US/US]; 25649 West Marion Avenue, Ingleside, IL 60041 (US). **BISCHOF, Daniel, F.** [US/US]; 8191 Stickney Run, Bull Valley, IL 60092 (US). **RONDEAU, Georges** [FR/BE]; Rue du Quesnay 37, B-7604 Braff (BE).

(74) Agent: **KOLOMAYETS, Andrew, G.**; Cook, Alex, McFarron, Manzo, Cummings & Mehler, Ltd., 200 West Adams Street, Suite 2850, Chicago, IL 60606 (US).

(81) Designated States (unless otherwise indicated, for every kind of national protection available): AE, AG, AL, AM, AT, AU, AZ, BA, BB, BG, BH, BR, BW, BY, BZ, CA, CH, CN, CO, CR, CU, CZ, DE, DK, DM, DO, DZ, EC, EE, EG, ES, FI, GB, GD, GE, GH, GM, GT, HN, HR, HU, ID, IL, IN, IS, JP, KE, KG, KM, KN, KP, KR, KZ, LA, LC, LK, LR, LS, LT, LU, LY, MA, MD, ME, MG, MK, MN, MW,

[Continued on next page]

(54) Title: FLOW CONTROLLERS AND SYSTEMS AND METHODS USING THE SAME



(57) Abstract: Flow controllers are provided for interconnecting a fluid source to two separate collection zones. The flow controllers include a body having a fluid inlet communicating with the source and two fluid outlets, each communicating with one of the collection zones. An actuator member received within a cavity of the body selectively establishes fluid communication between the inlet and an outlet. In a first position, the fluid inlet is in fluid communication with one of the fluid outlets and the associated collection zone. The actuator member is non-rotationally moved to a second position within the cavity to establish fluid communication between the fluid inlet and the other fluid outlet, thereby halting flow through the first outlet and allowing fluid communication with the other collection zone. An optional safety feature prevents movement of the actuator member from the second position to the first position.

WO 2008/057946 A3



MX, MY, MZ, NA, NG, NI, NO, NZ, OM, PG, PH, PL, PT, RO, RS, RU, SC, SD, SE, SG, SK, SL, SM, SV, SY, TJ, TM, TN, TR, TT, TZ, UA, UG, US, UZ, VC, VN, ZA, ZM, ZW.

PT, RO, SE, SI, SK, TR), OAPI (BF, BJ, CF, CG, CI, CM, GA, GN, GQ, GW, ML, MR, NE, SN, TD, TG).

(84) Designated States (*unless otherwise indicated, for every kind of regional protection available*): ARIPO (BW, GH, GM, KE, LS, MW, MZ, NA, SD, SL, SZ, TZ, UG, ZM, ZW), Eurasian (AM, AZ, BY, KG, KZ, MD, RU, TJ, TM), European (AT, BE, BG, CH, CY, CZ, DE, DK, EE, ES, FI, FR, GB, GR, HU, IE, IS, IT, LT, LU, LV, MC, MT, NL, PL,

Published:

- *with international search report*
- *before the expiration of the time limit for amending the claims and to be republished in the event of receipt of amendments*

(88) Date of publication of the international search report:
10 July 2008

INTERNATIONAL SEARCH REPORT

International application No
PCT/US2007/083344

A. CLASSIFICATION OF SUBJECT MATTER

INV. A61B5/00 A61M39/22 F16K3/26 F16K11/07
ADD. A61M5/14

According to International Patent Classification (IPC) or to both national classification and IPC

B. FIELDS SEARCHED

Minimum documentation searched (classification system followed by classification symbols)
A61B A61M F16K

Documentation searched other than minimum documentation to the extent that such documents are included in the fields searched

Electronic data base consulted during the international search (name of data base and, where practical, search terms used)

EPO-Internal, WPI Data

C. DOCUMENTS CONSIDERED TO BE RELEVANT

Category*	Citation of document, with indication, where appropriate, of the relevant passages	Relevant to claim No.
X	EP 0 576 380 A (AGUETTANT LAB [FR]) 29 December 1993 (1993-12-29)	1-4, 10, 14, 15, 29, 33, 36, 37, 46, 48, 51, 54, 56, 58, 61, 62
Y	the whole document	5, 9, 13, 39, 53, 57
Y	AU 458 487 B2 (LIPSOKY RB) 27 February 1975 (1975-02-27) the whole document	5, 9, 13, 53, 57
	----- -/--	

Further documents are listed in the continuation of Box C.

See patent family annex.

* Special categories of cited documents :

- *A* document defining the general state of the art which is not considered to be of particular relevance
- *E* earlier document but published on or after the international filing date
- *L* document which may throw doubts on priority claim(s) or which is cited to establish the publication date of another citation or other special reason (as specified)
- *O* document referring to an oral disclosure, use, exhibition or other means
- *P* document published prior to the international filing date but later than the priority date claimed

- *T* later document published after the international filing date or priority date and not in conflict with the application but cited to understand the principle or theory underlying the invention
- *X* document of particular relevance; the claimed invention cannot be considered novel or cannot be considered to involve an inventive step when the document is taken alone
- *Y* document of particular relevance; the claimed invention cannot be considered to involve an inventive step when the document is combined with one or more other such documents, such combination being obvious to a person skilled in the art.
- *G* document member of the same patent family

Date of the actual completion of the international search

8 February 2008

Date of mailing of the international search report

16/05/2008

Name and mailing address of the ISA/

European Patent Office, P.B. 5818 Patentlaan 2
NL - 2280 HV Rijswijk
Tel. (+31-70) 340-2040, Tx. 31 651 epo nl,
Fax: (+31-70) 340-3016

Authorized officer

Petersch, Bernhard

INTERNATIONAL SEARCH REPORT

International application No

PCT/US2007/083344

C(Continuation). DOCUMENTS CONSIDERED TO BE RELEVANT		
Category*	Citation of document, with indication, where appropriate, of the relevant passages	Relevant to claim No.
A	WO 03/079942 A (JORDAAN MARIUS [ZA]) 2 October 2003 (2003-10-02) the whole document	1-15, 29-39, 46-71
Y	figure 3	39
A	WO 2006/039251 A (BAXTER INT [US]; MATHIAS JEAN-MARIE [BE]; BLICKHAN BRYAN J [US]; HALDI) 13 April 2006 (2006-04-13) the whole document	1-15, 29-39, 46-71

FURTHER INFORMATION CONTINUED FROM PCT/ISA/ 210

Continuation of Box II.1

Claims Nos.: 40-45,72-77

Rule 39.1(iv) PCT - Method for treatment of the human or animal body by surgery: Claims 40-45 and 72-77 refer to methods for treatment of the human body by surgery practised on the human body in the sense of rule 39.1(iv) PCT, in particular in the light of the description paragraphs [002],[007] and [00103], where venipuncture is disclosed. This is why these claims have not been searched (rule 66.1(e) PCT).

INTERNATIONAL SEARCH REPORT

International application No.
PCT/US2007/083344

Box No. II Observations where certain claims were found unsearchable (Continuation of item 2 of first sheet)

This international search report has not been established in respect of certain claims under Article 17(2)(a) for the following reasons:

1. Claims Nos.: **40-45, 72-77**
because they relate to subject matter not required to be searched by this Authority, namely:
see FURTHER INFORMATION sheet PCT/ISA/210

2. Claims Nos.:
because they relate to parts of the international application that do not comply with the prescribed requirements to such an extent that no meaningful international search can be carried out, specifically:

3. Claims Nos.:
because they are dependent claims and are not drafted in accordance with the second and third sentences of Rule 6.4(a).

Box No. III Observations where unity of invention is lacking (Continuation of item 3 of first sheet)

This International Searching Authority found multiple inventions in this international application, as follows:

see additional sheet

1. As all required additional search fees were timely paid by the applicant, this international search report covers allsearchable claims.

2. As all searchable claims could be searched without effort justifying an additional fees, this Authority did not invite payment of additional fees.

3. As only some of the required additional search fees were timely paid by the applicant, this international search report covers only those claims for which fees were paid, specifically claims Nos.:

4. No required additional search fees were timely paid by the applicant. Consequently, this international search report is restricted to the invention first mentioned in the claims; it is covered by claims Nos.:
1-15, 29-39, 46-71

Remark on Protest

- The additional search fees were accompanied by the applicant's protest and, where applicable, the payment of a protest fee.
- The additional search fees were accompanied by the applicant's protest but the applicable protest fee was not paid within the time limit specified in the invitation.
- No protest accompanied the payment of additional search fees.

FURTHER INFORMATION CONTINUED FROM PCT/ISA/ 210

This International Searching Authority found multiple (groups of) inventions in this international application, as follows:

1. claims: 1-15,29-39,46-71

Claims 1-15, 29-39 and 46-71 essentially define a 3-way flow controller for one-time use which is easily operable and consists of two parts

2. claims: 16-28

Claims 16-28 essentially define a 3-way flow controller which has advantages for manufacturing, especially for steam sterilization, and consists of three parts

INTERNATIONAL SEARCH REPORT

Information on patent family members

International application No

PCT/US2007/083344

Patent document cited in search report	Publication date	Patent family member(s)	Publication date
EP 0576380	A	29-12-1993	AT 145147 T 15-11-1996
			DE 69305923 D1 19-12-1996
			FR 2692791 A1 31-12-1993
			GR 3022393 T3 30-04-1997
AU 458487	B2	27-02-1975	AU 4227772 A 22-11-1973
WO 03079942	A	02-10-2003	AU 2003209937 A1 08-10-2003
			BR 0303395 A 30-03-2004
			SE 0303144 A 16-01-2004
WO 2006039251	A	13-04-2006	AU 2005292258 A1 13-04-2006
			CA 2582301 A1 13-04-2006
			CN 101090666 A 19-12-2007
			EP 1793737 A2 13-06-2007