



US00D718357S

(12) **United States Design Patent**  
**Park**

(10) **Patent No.:** **US D718,357 S**

(45) **Date of Patent:** **\*\* Nov. 25, 2014**

(54) **CUTTING INSERT**

(71) Applicant: **TaeguTec Ltd.**, Daegu (KR)

(72) Inventor: **Geon Woo Park**, Daegu (KR)

(73) Assignee: **TaeguTec Ltd.**, Daegu (KR)

(\*\*) Term: **14 Years**

(21) Appl. No.: **29/485,619**

(22) Filed: **Mar. 20, 2014**

(51) **LOC (10) Cl.** ..... **15-09**

(52) **U.S. Cl.**

USPC ..... **D15/139**

(58) **Field of Classification Search**

USPC ..... D8/70, 71; D15/131, 138, 139, 140;  
407/35, 42, 112-119

See application file for complete search history.

(56) **References Cited**

**U.S. PATENT DOCUMENTS**

D487,281	S	*	3/2004	Roman et al.	.....	D15/139
D497,923	S	*	11/2004	Waggle et al.	.....	D15/139
D656,166	S	*	3/2012	Michelet et al.	.....	D15/139
D705,828	S	*	5/2014	Imai et al.	.....	D15/139

2005/0214080	A1*	9/2005	Satran	.....	407/113
2006/0216122	A1*	9/2006	Engstrom et al.	.....	407/114
2012/0027530	A1*	2/2012	Agic	.....	407/114
2013/0022417	A1*	1/2013	Gesell et al.	.....	407/113
2013/0302099	A1*	11/2013	Choi et al.	.....	407/113

\* cited by examiner

*Primary Examiner* — Patricia Palasik

(74) *Attorney, Agent, or Firm* — Hamre, Schumann, Mueller & Larson, P.C.

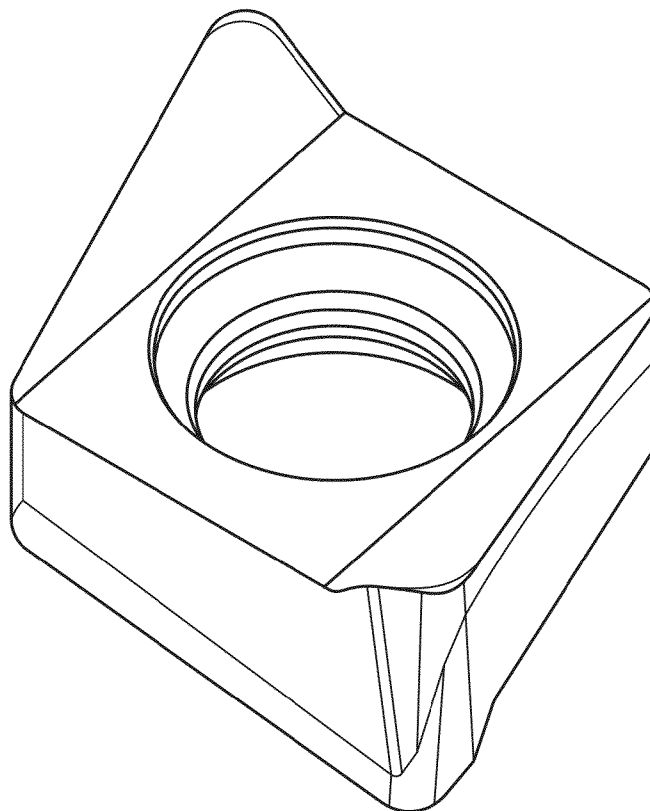
(57) **CLAIM**

The ornamental design for a cutting insert, as shown and described.

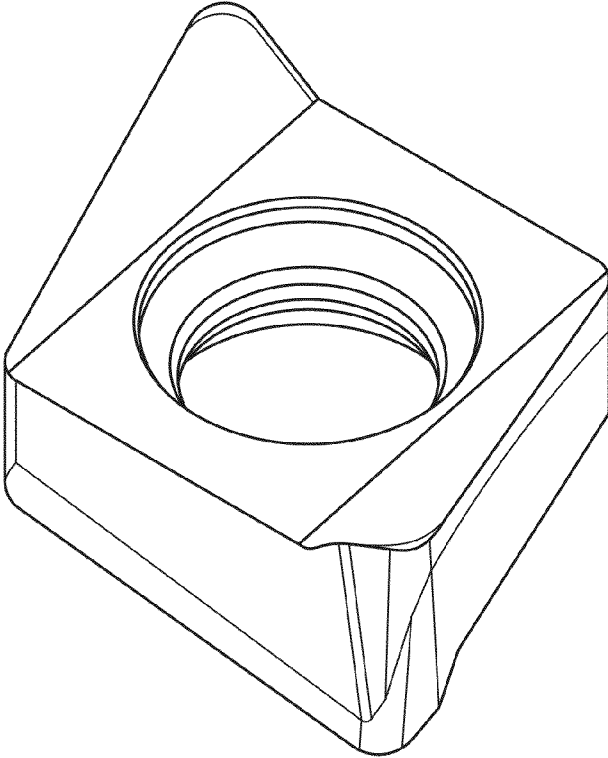
**DESCRIPTION**

FIG. 1 is a perspective view of a cutting insert showing my new design;  
FIG. 2 is a front elevational view thereof;  
FIG. 3 is a rear elevational view thereof;  
FIG. 4 is a left side view thereof;  
FIG. 5 is a right side view thereof;  
FIG. 6 is a top plan view thereof;  
FIG. 7 is a bottom plan view thereof; and,  
FIG. 8 is a cross-sectional view taken along line 8-8 of FIG. 2.

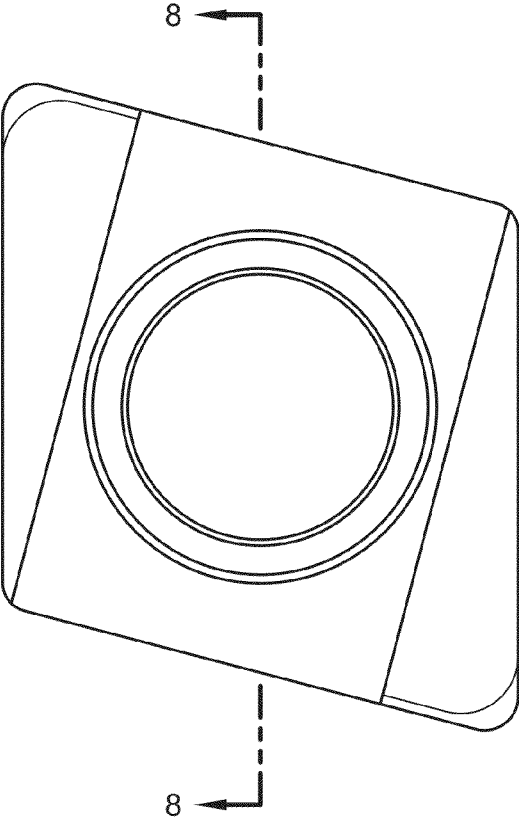
**1 Claim, 4 Drawing Sheets**



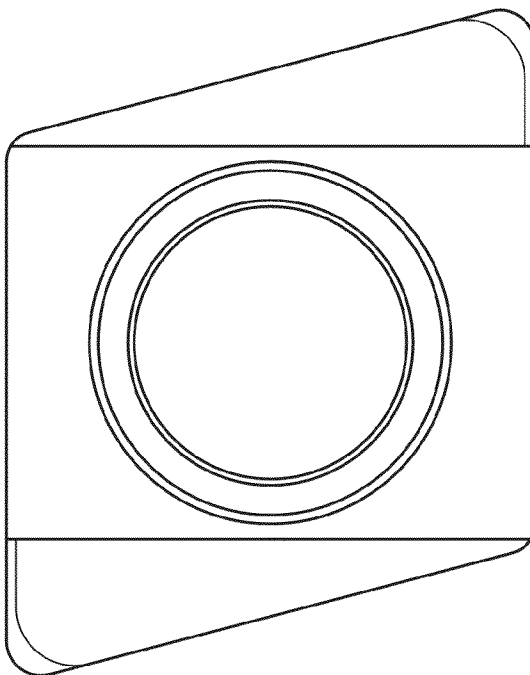
*Fig. 1*



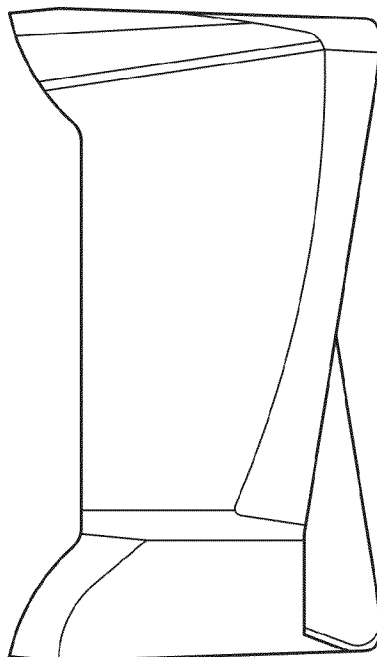
*Fig. 2*



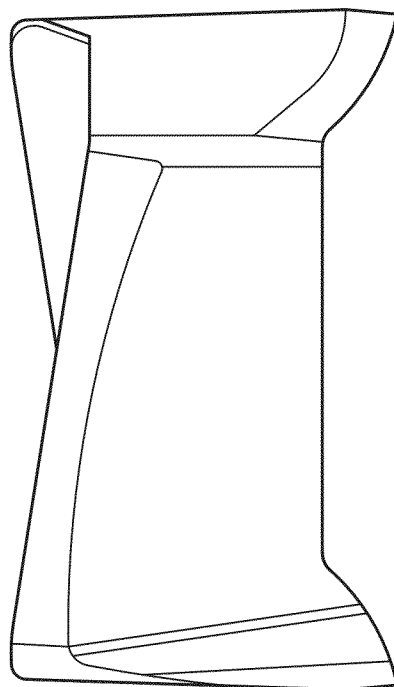
*Fig. 3*



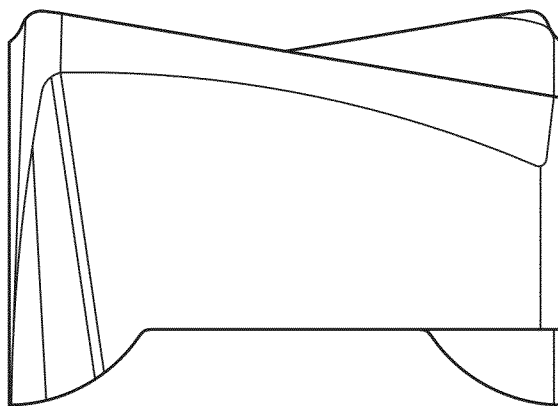
*Fig. 4*



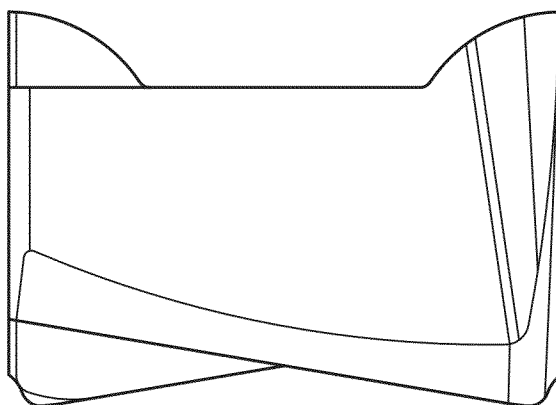
*Fig. 5*



*Fig. 6*



*Fig. 7*



*Fig. 8*

