



US00D736135S

(12) **United States Design Patent**
Grake et al.

(10) **Patent No.:** **US D736,135 S**

(45) **Date of Patent:** **** Aug. 11, 2015**

(54) **VEHICLE WHEEL**

(71) Applicant: **Ford Motor Company**, Dearborn, MI (US)

(72) Inventors: **James E. Grake**, Beverly Hills, MI (US); **George Bucher**, Dearborn, MI (US); **Michael Smith**, Plymouth, MI (US); **Joel Piaskowski**, West Bloomfield, MI (US)

(73) Assignee: **Ford Motor Company**, Dearborn, MI (US)

(**) Term: **14 Years**

(21) Appl. No.: **29/482,370**

(22) Filed: **Feb. 18, 2014**

(51) **LOC (10) CL.** **12-16**

(52) **U.S. CL.**
USPC **D12/211**

(58) **Field of Classification Search**
USPC D12/204–213
CPC B60B 7/00; B60B 7/02; B60B 7/04; B60B 7/01; B60B 7/06; B60B 3/02; B60B 3/04; B60B 3/06; B60B 3/10; B60B 1/00; B60B 1/08; B60B 1/10; B60B 1/12

See application file for complete search history.

(56) **References Cited**

U.S. PATENT DOCUMENTS

D480,347	S	*	10/2003	Nemoto	D12/211
D482,307	S	*	11/2003	Lee	D12/211
D506,172	S	*	6/2005	Pfeiffer	D12/211
D526,267	S	*	8/2006	Looho	D12/211
D535,606	S	*	1/2007	Hernandez	D12/211
D542,209	S	*	5/2007	Pfeiffer	D12/211
D544,823	S	*	6/2007	Hieke	D12/211
D548,165	S	*	8/2007	Young	D12/211
D597,012	S	*	7/2009	Chung	D12/211
D604,685	S	*	11/2009	Zhou et al.	D12/211
D614,112	S	*	4/2010	Tant et al.	D12/211
D625,245	S	*	10/2010	Hans et al.	D12/211
D633,027	S	*	2/2011	Matei et al.	D12/211
D656,447	S	*	3/2012	Johnson	D12/211
D689,004	S	*	9/2013	Jallad	D12/211
D709,019	S	*	7/2014	Hale, Jr.	D12/211
D713,316	S	*	9/2014	Song et al.	D12/211

* cited by examiner

Primary Examiner — Stacia Cadmus

(74) *Attorney, Agent, or Firm* — Damian Porcari

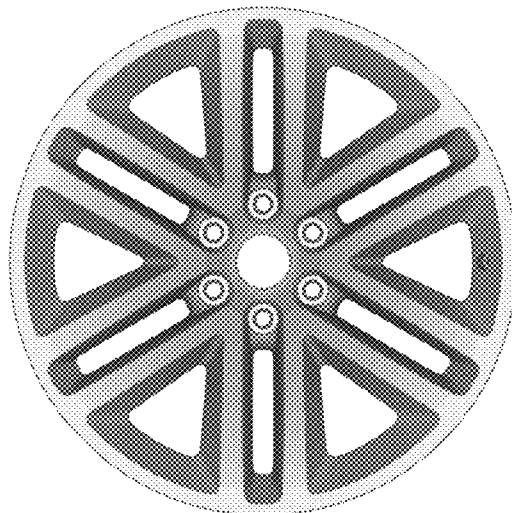
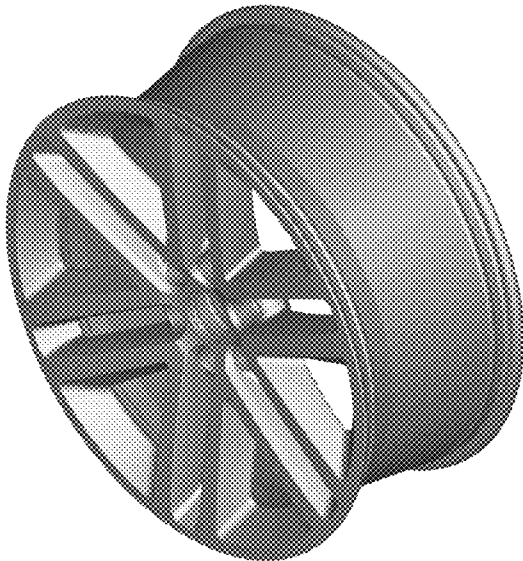
(57) **CLAIM**

The ornamental design for a vehicle wheel, as shown and described.

DESCRIPTION

FIG. 1 is a perspective view of a vehicle wheel; and, FIG. 2 is a front view thereof.

1 Claim, 2 Drawing Sheets



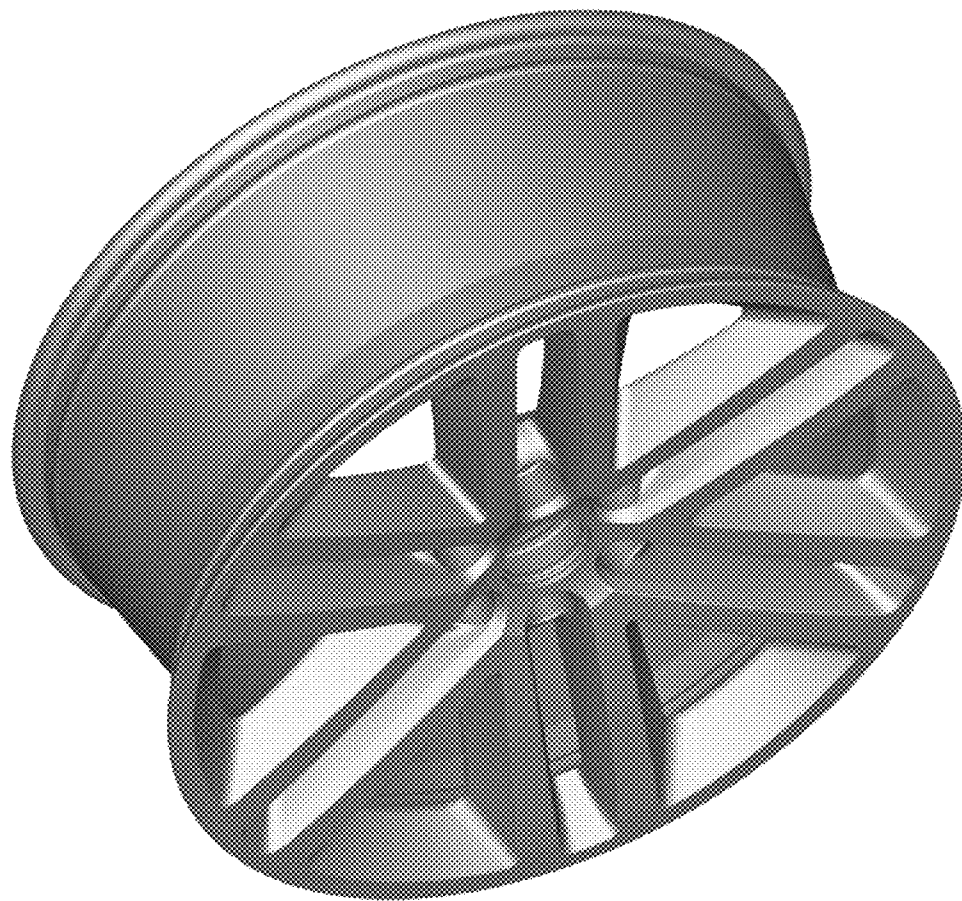


Figure 1

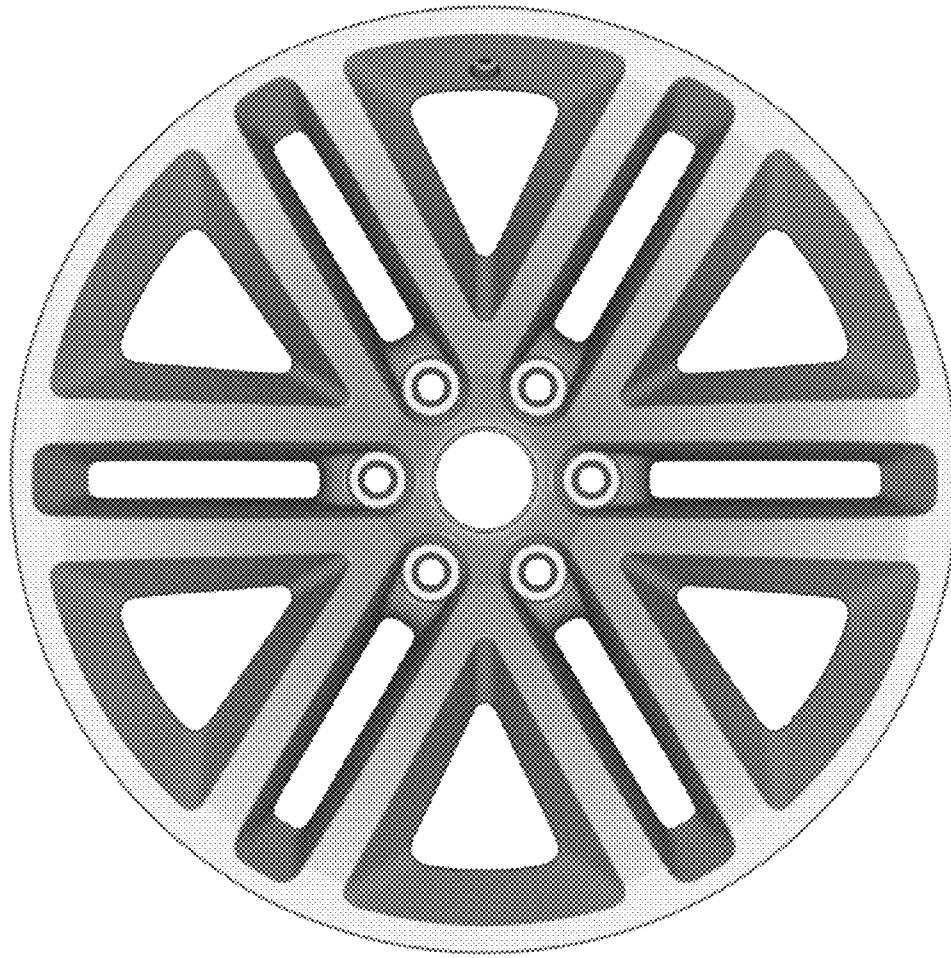


Figure 2